

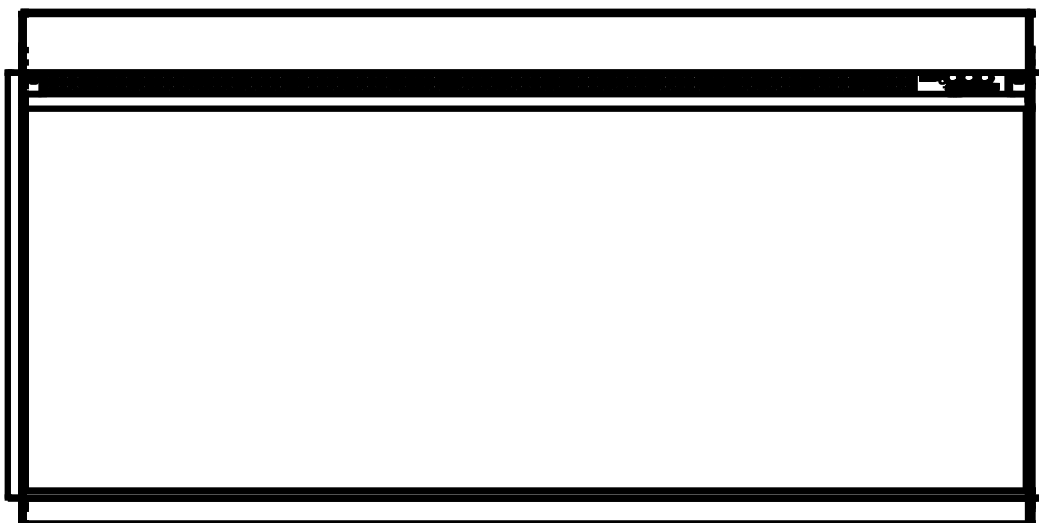
# bemodern

FIRES | FIREPLACES

P R  Z M

REVOLUTIONIZING FLAMES

**A R T E O N - Pryzm 3 Sided Fire**  
**1000 3SL - 1250 3SL - 1500 3SL – 2000 3SL - 600 3SP - 750 3SP**  
**A R T E O N – Pryzm Inset Fire**  
**16" & 22-16"**



**Prior to installing this product locate the data label and note the model and serial number. This is required when registering your guarantee.**

**Model:** \_\_\_\_\_

**Serial Number:** \_\_\_\_\_

**Instructions For Installation & Operation**

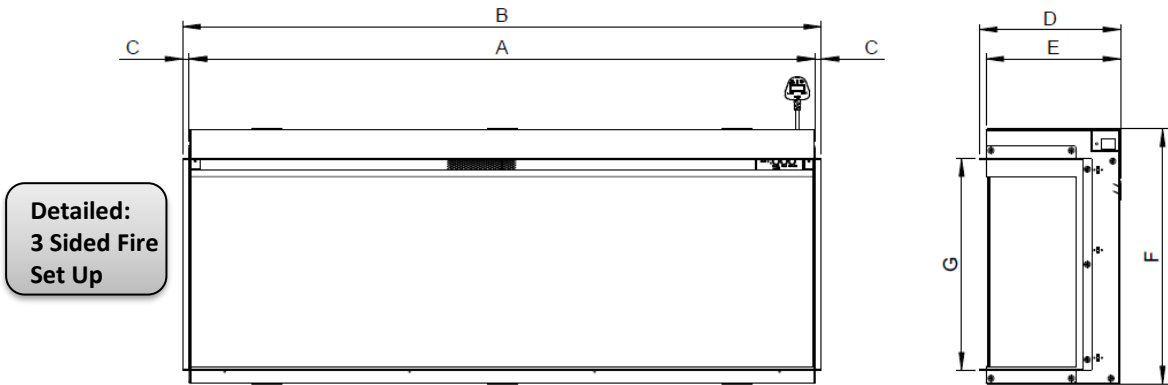
---

# Contents

---

	<b>Page</b>
Technical Specification	2 - 4
Important Safety Information	5 - 6
Contents of the Box(es)	7 - 8
Unpacking The Fire- Arteon 3SL/P	9- 10
Preparing the Fire- Arteon 3SL/P	11 - 12
Installation – Stud wall- Arteon 3SL/P	13 - 14
Installing The Fire- Arteon 3SL/P	15
Fuel Bed Layout- Arteon 3SL/P	16
Log Positioning- Arteon 3SL/P	16
Replacing the Glass- Arteon 3SL/P	17
Opening Sizes & Installation Introduction- Arteon 3SP	18
Installation in a Timber Back Panel- Arteon 3SP	18
Installation in a Marble Back Panel- Arteon 3SP	19-20
Opening Sizes & Installation Introduction- Arteon Inset	21
Installation in a Timber Back Panel	21
Installation in a Marble Back Panel	22
Spacer Frame Assembly & Installation	23
Devotion Trim Assembly & Installation	24
Ray Trim Assembly & Installation	25
Cast Trim Assembly & Installation	25
Internal Fuel Bed Layout & Log Positioning	26-27
Replacing the Glass	27
Dressing the External Curved Fuel Bed	28
User Instructions - Introduction	29
User Instructions - Manual Control	30
User Instructions - Remote Control	31
User Instructions - APP Control	32 - 46
Maintenance & Troubleshooting	47
General information	48
Guarantee	49

# Technical Specification



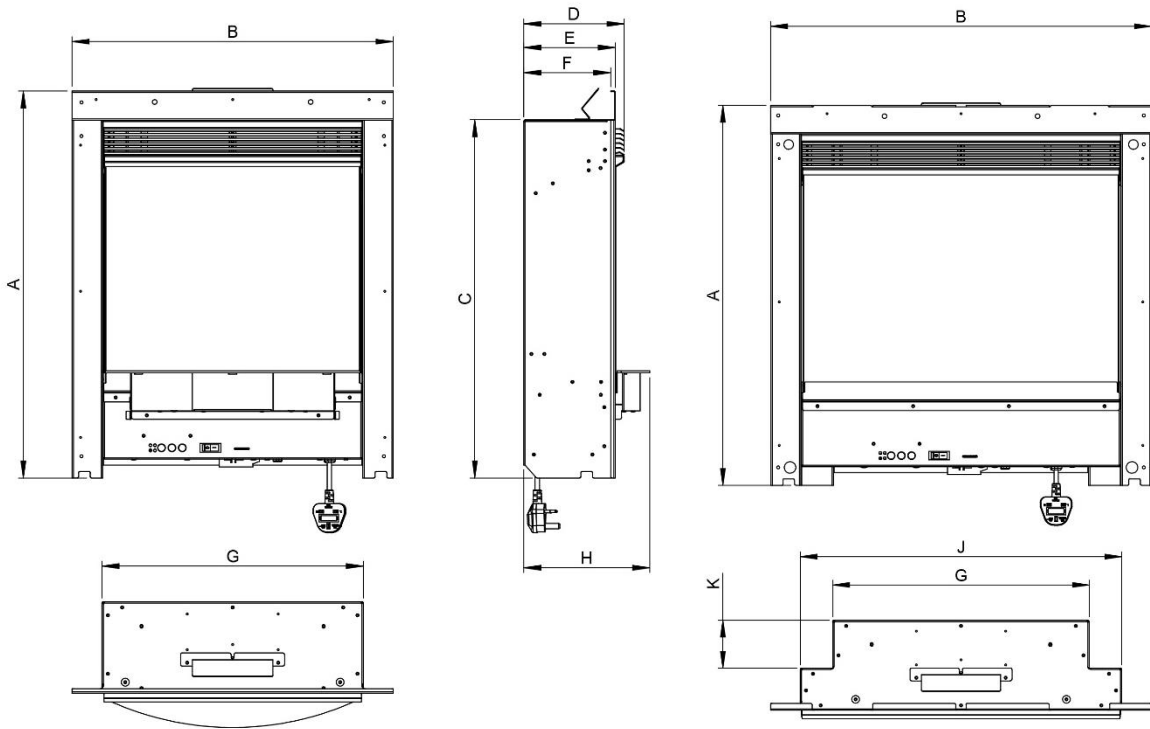
Fire	Logs	Dimensions (mm)						
		A	B	C	D	E	F	G
ARTEON PRYZM 5D 1000 3SL- 2959	6	1002	1028	13	257	244	422	515
ARTEON PRYZM 5D 1250 3SL-3098	8	1252	1278	13	282	269	422	515
ARTEON PRYZM 5D 1500 3SL-3099	9	1502	1528	13	282	269	422	515
ARTEON PRYZM 5D 2000 3SL-4061	12	2002	2028	13	282	269	422	515
ARTEON PRYZM 5D 600 3SP-4025	4	586	612	13	257	244	586	720
ARTEON PRYZM 5D 750P 3SP-4024	4	736	762	13	257	244	698	793

Fire	Visible Glass Area (mm)			Boxed Weight (Kg)
	W	H	D 2/3 Sided	
ARTEON PRYZM 5D 1000 3SL- 2959	995	380	152	50
ARTEON PRYZM 5D 1250 3SL-3098	1245	380	177	60
ARTEON PRYZM 5D 1500L 3SL-3099	1495	380	177	70
ARTEON PRYZM 5D 2000 3SL-4061	1995	380	177	90
ARTEON PRYZM 5D 600 3SP-4025	579	543	152	38
ARTEON PRYZM 5D 750 3SP-4024	729	655	152	48

**Tolerance +/- 1mm**

**Note:** The above image and dimensions detail the fire set up for a **3 sided** installation- adjust the dimensions accordingly for **2 sided (B-13mm)** and **1 sided (B-26mm)** installation.

## Technical Specification *Continued*.....



Detailed: 16" Curved Inset (L) & 22-16" Inset Fire (R)

Fire	Logs	Dimensions (mm)									
		A	B	C	D	E	F	G	H	J	K
ARTEON PRYZM 16" Inset Fire- <b>4119</b>	3	596	494	552	155	141	134	402	N/A	N/A	N/A
ARTEON PRYZM 16" Inset Fire- <b>4119</b> Curved	3	596	494	552	155	141	134	402	194	N/A	N/A
ARTEON PRYZM 22-16" Inset Fire- <b>4112</b>	3	596	596	552	155	141	131	402	N/A	504	75

Tolerance +/- 1mm

Fire	Visible Glass Area (mm)	
	W	H
ARTEON PRYZM 16" Inset Fire- <b>4119</b>	392	317
ARTEON PRYZM 16" Inset Fire- <b>4119</b> Curved	392	317
ARTEON PRYZM 22-16" Inset Fire- <b>4112</b>	495	325

## Technical Specification *Continued*....

Model No: 4119 (16"), 4112 (22"-16"), 4025 (600), 4024 (750), 2959 (1000), 3098 (1250), 3099 (1500), 4061 (2000)  
Supply Voltage: AC 230-240V 50Hz, Maximum power consumption: 2016W.

Model:	4119	4112	4025	4024	2959	3098	3099	4061
Power for Flame Effect	2.4w	2.4w	4.8w	6.4w	6.4w	8.8w	10.4w	15.2w
Power for Fuel Bed	4w	3w	4w	5w	6w	8w	9w	12w
Power for Down Light	1w	1w	1w	1.5w	2w	2.5w	3w	4.5w
Power for Mood Light	9w	9w	9w	9w	9w	9w	9w	9w

Heat Output								
Model	4119	4112	4025	4024	2959	3098	3099	4061
Nominal heat output (Pnom)	2000w	2000w	1500w	1500w	1500w	1500w	1500w	1500w
Minimum heat output (indicative) (Pmin)	1000w	1000w	750w	750w	750w	750w	750w	750w
Maximum continuous heat output (Pmax)	2000w	2000w	1500w	1500w	1500w	1500w	1500w	1500w

Auxiliary Electricity Consumption								
Model	4119	4112	4025	4024	2959	3098	3099	4061
At nominal heat output (elmax)	1w	1w	1w	1.5w	2w	2.5w	3w	4.5w
At minimum heat output (elmin)	9w	9w	9w	9w	9w	9w	9w	9w
In standby mode (elSB)	1.03w	1.03w	1.06w	1.06w	1.06w	1.06w	1.06w	1.06w

### Type of heat output / room temperature control

Single stage heat output and no room temperature control	No
Two or more manual stages, no room temperature control	No
With mechanic thermostat room temperature control	No
With electronic room temperature control	Yes
Electronic room temperature control plus day timer	Yes
Electronic room temperature control plus week timer	Yes

### Other Control Options

Room temperature control, with presence detection	No
Room temperature control, with open window detection	Yes
With distance control option	Yes
With adaptive start control	Yes
With working time limitation	No
With black bulb sensor	No

## Important Safety Information

**Read all the instructions carefully before using the appliance.**

**For indoor use only. This appliance is not suitable for use outside the house and only suitable for well insulated spaces or occasional use.**

If the fire is to be placed in front of an existing chimney opening and there is any risk of chimney debris falling down onto the fire or drafts from the chimney it is recommended that the flue or opening is sealed off with non-combustible non-fibrous insulation materials. Do not place into an existing fireplace that is prone to dampness. Should it be necessary to cap and seal the chimney to prevent personal injury, a professional should be hired to do the work

Do not use this appliance in the immediate surroundings of a bath, a shower or a swimming pool.

Do not use this fire as a free-standing appliance. It must always be fixed to the wall, fireplace mantel, floor etc.


This fire must not be located immediately below a socket-outlet.

This appliance must be earthed.

This appliance must not be supplied through an external switching device, such as a timer, or connected to the circuit that is regularly switched on and off by utility in order to avoid a hazard due to the inadvertent resetting of the thermal cut out.

A non-rewireable plug fitted with a 13A fuse is supplied. Should the fuse or plug need replacing, and you are competent to do so, it must be replaced with a 13A fuse or plug being 13A BS1363A approved.

If the power cord is damaged, it must be repaired by the manufacturer, its authorised service centre or professional person.

The meaning of this symbol  is **DO NOT COVER** **Warning:** in order to avoid overheating, do not allow the appliance to be covered or let the air inlet/outlet become obstructed.

To reduce the risk of fire, keep textiles, curtains, or any other flammable material a minimum distance of 1 meter from the air outlet.

Keep the power cord away from hot surfaces and hot conditions. Do not route the power lead in front of the appliance.

Do not use this fire in rooms that have explosive fumes in them (for example petrol), or if you are using solvents, glue, aerosol spray or in flammable paints, as these may catch fire.

This appliance can be used by children aged from 8 years and above and persons with reduced physical, sensory or mental capabilities or lack of experience and knowledge if they have been given supervision or instruction concerning use of the appliance in a safe way and understand the hazards involved.

Children and vulnerable people must be supervised at all times when using this appliance, as some parts can become very hot and cause burns.

Do not use this appliance in small rooms when they are occupied by persons not capable of leaving the room on their own, unless constant supervision is provided.

---

## Important Safety Information *Continued.....*

---

Cleaning and user maintenance shall not be made by children without supervision.

Children aged from 3 years and less than 8 years only can switch on / off the appliance provided that it has been placed or installed in its intended normal operating position and instructions and supervisions concerning the safe way of the use of the appliance are offered. Children aged from 3 years and less than 8 years shall not plug in, regulate and clean the appliance or perform user maintenance.

This appliance shall not be played with by children.

Children of less than 3 years should be kept away unless continuously supervised.

Keep the power plug accessible after installation.

### **Manual Handling**

**BEFORE STARTING THE INSTALLATION OF THIS FIRE, PLEASE READ THE FOLLOWING:**

**CAUTION:** This appliance is heavy. Always seek assistance whilst unpacking and/or during installation.

The installation should be carried out by **two adults** to avoid injury or damage. If for any reason it is considered too heavy, please obtain assistance.

Always use the handles on the rear of fire where possible.

When lifting the electric appliance, always keep your back straight. Bend your legs and not your back. Avoid twisting at the waist. It is better to reposition your feet.

Avoid upper body / top heavy bending. Always bend from the knees rather than the waist. Do not lean forward or sideways while handling the fire.

Always grip the fire with the palm of the hand – do not use the tips of fingers for support.

Always keep the fire as close to the body as possible. This will minimize the cantilever action.

Use gloves to provide additional grip.

## Contents of the box(es)

### **Box- 050164- (1000-3SL)**

Quantity	Description	Quantity	Description
1	ARTEON PRYZM 1000-3SL- Electric Fire Engine	2	Bags of Grey Slate ( <b>Large Box Inside Fire</b> )
6	Logs ( <b>Small Box Inside Fire</b> )	1	Fire Remote Control & 2 x AAA Batteries ( <b>Large Box Inside Fire</b> )
2	Bags of Crystals ( <b>Large Box Inside Fire</b> )	4	Short Side Brackets ( <b>Large Box Inside Fire</b> )
3	Bags of Pebbles ( <b>Large Box Inside Fire</b> )	2	Long Side Brackets ( <b>Large Box Inside Fire</b> )
2	Bags of Bark ( <b>Large Box Inside Fire</b> )	1	1.8M IEC Power Cable with Molded Plug ( <b>Large Box Inside Fire</b> )

### **Box- 050172- (1250-3SL)**

Quantity	Description	Quantity	Description
1	ARTEON PRYZM 1250-3SL- Electric Fire Engine	3	Bags of Grey Slate ( <b>Large Box Inside Fire</b> )
8	Logs ( <b>Small Box Inside Fire</b> )	1	Fire Remote Control & 2 x AAA Batteries ( <b>Large Box Inside Fire</b> )
3	Bags of Crystals ( <b>Large Box Inside Fire</b> )	4	Short Side Brackets ( <b>Large Box Inside Fire</b> )
3	Bags of Pebbles ( <b>Large Box Inside Fire</b> )	2	Long Side Brackets ( <b>Large Box Inside Fire</b> )
3	Bags of Bark ( <b>Large Box Inside Fire</b> )	1	1.8M IEC Power Cable with Molded Plug ( <b>Large Box Inside Fire</b> )

### **Box- 050180- (1500-3SL)**

Quantity	Description	Quantity	Description
1	ARTEON PRYZM 1500-3SL- Electric Fire Engine	4	Bags of Grey Slate ( <b>Large Box Inside Fire</b> )
9	Logs ( <b>Small Box Inside Fire</b> )	1	Fire Remote Control & 2 x AAA Batteries ( <b>Large Box Inside Fire</b> )
4	Bags of Crystals ( <b>Large Box Inside Fire</b> )	4	Short Side Brackets ( <b>Large Box Inside Fire</b> )
3	Bags of Pebbles ( <b>Large Box Inside Fire</b> )	2	Long Side Brackets ( <b>Large Box Inside Fire</b> )
3	Bags of Bark ( <b>Large Box Inside Fire</b> )	1	1.8M IEC Power Cable with Molded Plug ( <b>Large Box Inside Fire</b> )

### **Box- (2000-3SL)**

Quantity	Description	Quantity	Description
1	ARTEON PRYZM 2000-3SL- Electric Fire Engine	6	Bags of Grey Slate ( <b>Large Box Inside Fire</b> )
12	Logs ( <b>Small Box Inside Fire</b> )	1	Fire Remote Control & 2 x AAA Batteries ( <b>Large Box Inside Fire</b> )
6	Bags of Crystals ( <b>Large Box Inside Fire</b> )	4	Short Side Brackets ( <b>Large Box Inside Fire</b> )
6	Bags of Pebbles ( <b>Large Box Inside Fire</b> )	2	Long Side Brackets ( <b>Large Box Inside Fire</b> )
6	Bags of Bark ( <b>Large Box Inside Fire</b> )	1	1.8M IEC Power Cable with Molded Plug ( <b>Large Box Inside Fire</b> )

Please ensure all fixings are present before commencing installation. If anything is missing please call Customer Services on 01914300901 or email us at [customerservices@bemodern.co.uk](mailto:customerservices@bemodern.co.uk)



## Contents of the box(es) *Continued*....

### Box- (600P-3SP)

Quantity	Description	Quantity	Description
1	ARTEON PRYZM 600-3SP- Electric Fire Engine	1	Bags of Grey Slate ( <b>Box Inside Fire</b> )
4	Logs ( <b>Box Inside Fire</b> )	1	Fire Remote Control & 2 x AAA Batteries ( <b>Box Inside Fire</b> )
1	Bags of Crystals ( <b>Box Inside Fire</b> )	4	Short Side Brackets ( <b>Box Inside Fire</b> )
1	Bags of Pebbles ( <b>Box Inside Fire</b> )	2	Long Side Brackets ( <b>Box Inside Fire</b> )
1	Bags of Bark ( <b>Box Inside Fire</b> )	1	1.8M IEC Power Cable with Molded Plug ( <b>Box Inside Fire</b> )

### Box- (750P-3SP)

Quantity	Description	Quantity	Description
1	ARTEON PRYZM 750P-3SP- Electric Fire Engine	1	Bags of Grey Slate ( <b>Box Inside Fire</b> )
5	Logs ( <b>Box Inside Fire</b> )	1	Fire Remote Control & 2 x AAA Batteries ( <b>Box Inside Fire</b> )
1	Bags of Crystals ( <b>Box Inside Fire</b> )	4	Short Side Brackets ( <b>Box Inside Fire</b> )
1	Bags of Pebbles ( <b>Box Inside Fire</b> )	2	Long Side Brackets ( <b>Box Inside Fire</b> )
1	Bags of Bark ( <b>Box Inside Fire</b> )	1	1.8M IEC Power Cable with Molded Plug ( <b>Box Inside Fire</b> )

### Box- (16" Curved & Flat Inset)

Quantity	Description	Quantity	Description
1	ARTEON PRYZM 16" Inset- Electric Fire Engine	1	Bags of Grey Slate ( <b>Box Inside Fire</b> )
3	Logs <b>Box Inside Fire</b> )	1	Fire Remote Control & 2 x AAA Batteries ( <b>Loose side of Fire</b> )
1	Bags of Crystals ( <b>Box Inside Fire</b> )	1	Clamping Bracket ( <b>Bagged side of Fire</b> )
1	Bags of Pebbles ( <b>Box Inside Fire</b> )	4	8 X 3/4 R/H Pozi Pan Screw ( <b>Bagged side of Fire</b> )
1	Bags of Bark ( <b>Box Inside Fire</b> )	1	1.8M IEC Power Cable with Molded Plug ( <b>Loose side of Fire</b> )

### Box- (22-16" Inset )

Quantity	Description	Quantity	Description
1	ARTEON PRYZM 22-16" Inset- Electric Fire Engine	1	Bags of Grey Slate ( <b>Box Inside Fire</b> )
3	Logs <b>Box Inside Fire</b> )	1	Fire Remote Control & 2 x AAA Batteries ( <b>Loose side of Fire</b> )
1	Bags of Crystals ( <b>Box Inside Fire</b> )	1	Clamping Bracket ( <b>Bagged side of Fire</b> )
1	Bags of Pebbles ( <b>Box Inside Fire</b> )	4	8 X 3/4 R/H Pozi Pan Screw ( <b>Bagged side of Fire</b> )
1	Bags of Bark ( <b>Box Inside Fire</b> )	1	1.8M IEC Power Cable with Molded Plug ( <b>Loose side of Fire</b> )

### Box- 050199- Sold Separately

LED Light Set- 830mm Fly Lead plus 3m LED Lights can be purchased separately.

**Note:** Compatible LED Light Set are available from Bemodern Ltd. Other makes may not be suitable, and will void the warranty.

Please ensure all fixings are present before commencing installation. If anything is missing please call Customer Services on 01914300901 or email us at [customerservices@bemodern.co.uk](mailto:customerservices@bemodern.co.uk)

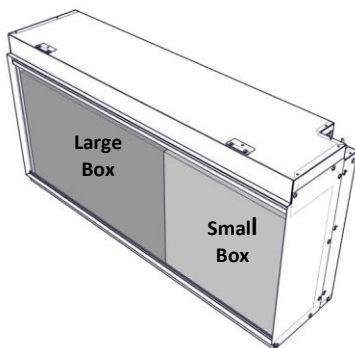
## Unpacking The Fire- Arteon 3SL/P

**Note: The fire is a two adult person lift. A second person will be required to lift and support the fire during installation.**

Before the fire can be installed, consideration will need to be given to routing the power supply to the fire. This will affect the stages of the installation process. We advise a qualified electrician conduct any electrical parts of the installation.

**Note: An accessible single socket is required for the operation of the fire.**

Unpack your new fire- **DO NOT** dispose of the packaging until you have checked and made sure all the parts and fixings listed on **Page 7** are present.

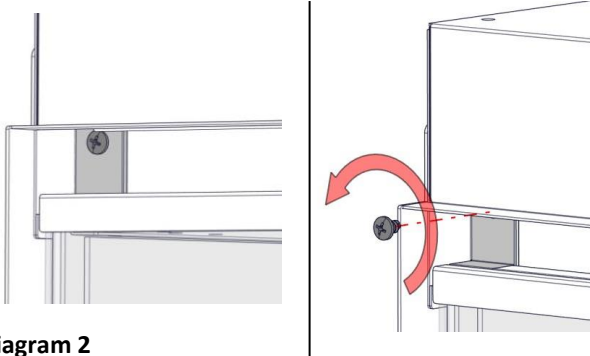


**Diagram 1**

Once the fire is unpacked the **2 X Cardboard Boxes** inside the fire need to be removed and the contents checked, as listed on **Page 7**.

See **Diagram 1**.

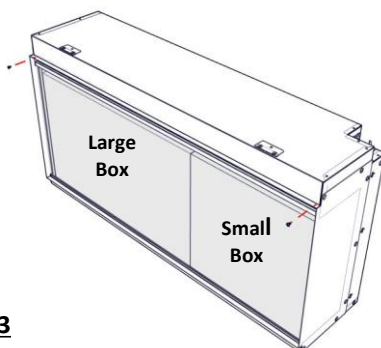
**Note: The fire is a two adult person lift.**



**Diagram 2**

To do this, unscrew the **2 X Screws** holding the **Glass Bracket** in place.

See **Diagram 2**.



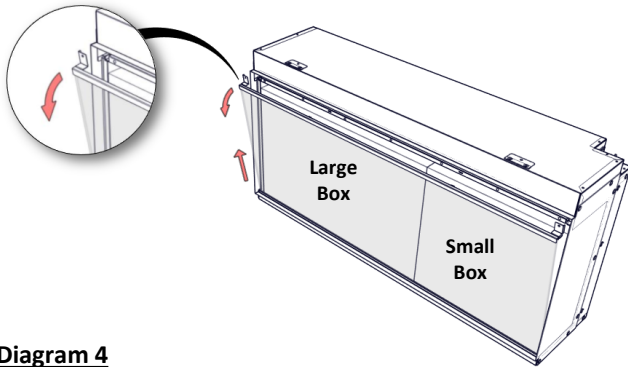
**Diagram 3**

There is **1 X Screw** either side of the fire.

See **Diagram 3**.

Please ensure all fixings are present before commencing installation. If anything is missing please call Customer Services on 01914300901 or email us at [customerservices@bemodern.co.uk](mailto:customerservices@bemodern.co.uk)

## Unpacking The Fire Arteon 3SL/P *Continued....*

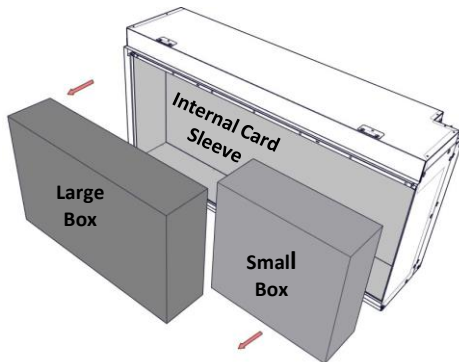


Once the screws are removed- the **Glass** and **Glass Bracket** can be angled forward from the top of the fire and lifted out of the channel at the base of the glass.

**Note:** Place the Glass, Glass Bracket and 2 X Screws in a safe place- these will be required later.

See Diagram 4.

**Diagram 4**

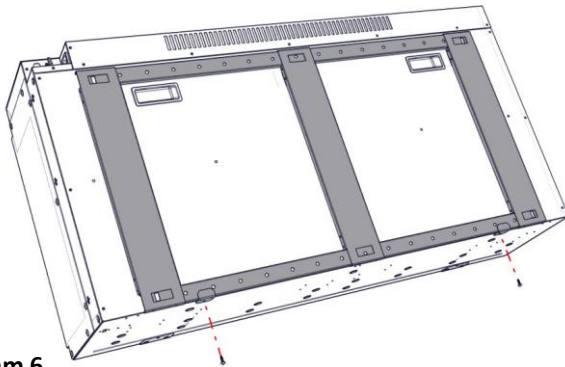


Remove the **2 X Cardboard Boxes** from inside the fire and depending on the model purchased, check the contents as listed on **Page 7**.

**Tip-** Leave the protective internal card sleeve in place. This will help keep the internal of the fire clean during installation.

See Diagram 5.

**Diagram 5**



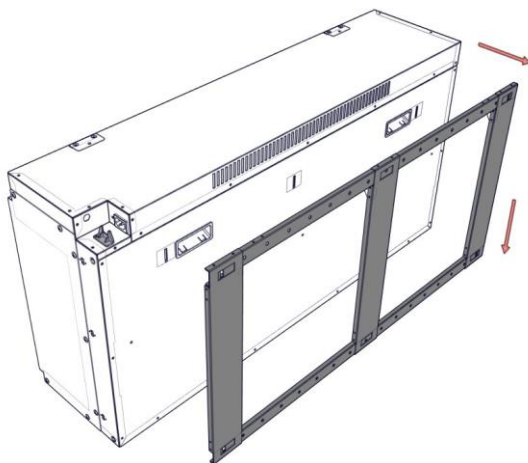
For installation into a **floor to ceiling stud wall**, the **Rear Mounting Bracket** must be first removed from the fire.

With the fire positioned on the floor lean the fire forward and remove the **2 X Screws** holding the bracket in place.

See Diagram 6.

**Note:** For other methods of installation, the Rear Fixing Bracket maybe required to fix the fire to the wall. Please ensure that suitable fixings are used dependent on the wall medium.

**Diagram 6**



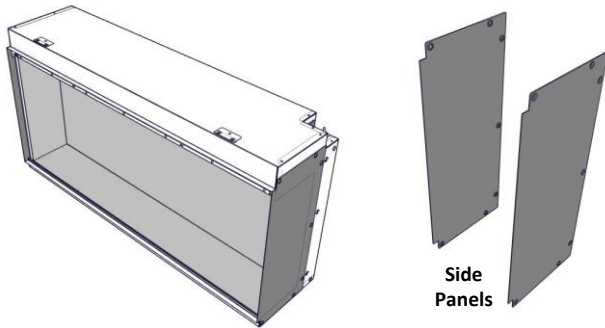
Once the screws are removed- lower the bracket and lift the bracket away from the rear of the fire.

The bracket and screws are no longer required, please discard.

See Diagram 7.

**Diagram 7**

## Preparing the Fire Arteon 3SL/P



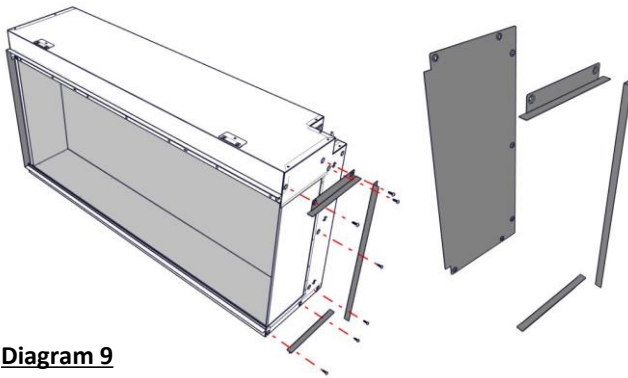
### **1 Sided (Fully Recessed) Installation**

The fire comes out the box, already set up for **1 sided** installation.

The 2 X **Side Panels** will be **fixed** to the fire.

See **Diagram 8**

**Diagram 8**



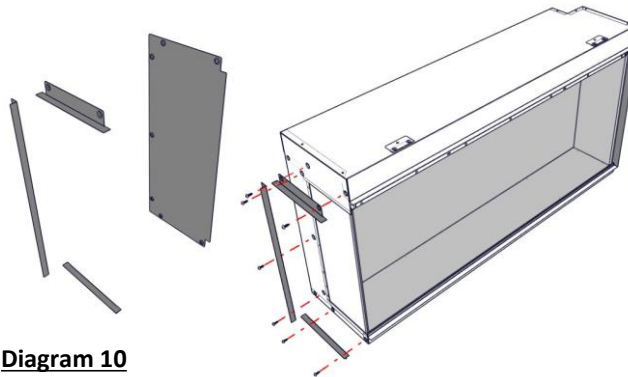
### **2 Sided Installation- Right Hand**

Leaving the left hand side panel **fixed**.  
Remove the **7 X Screws** and the **right** hand side panel from the fire.

Locate the **2 X Small Side Brackets** and **1 X Large Side Bracket** and fix in place using the previously removed **7 X Screws**.

See **Diagram 9**

**Diagram 9**



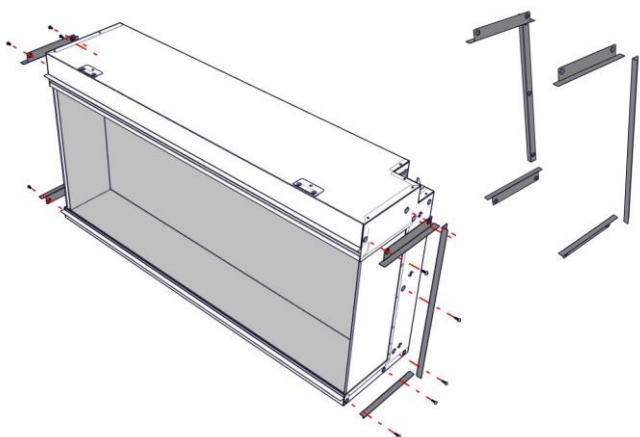
### **2 Sided Installation- Left Hand**

Leaving the right hand side panel **fixed**.  
Remove the **7 X Screws** and the **left** hand side panel from the fire.

Locate the **2 X Small Side Brackets** and **1 X Large Side Bracket** and fix in place using the previously removed **7 X Screws**.

See **Diagram 10**

**Diagram 10**



### **3 Sided Installation**

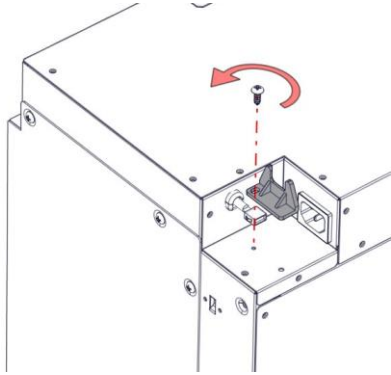
Remove the **14 X Screws** and the **left** hand and **right** hand side panels from the fire.

Locate the **4 X Small Side Brackets** and **2 X Large Side Brackets** and fix in place using the previously removed **14 X Screws**.

See **Diagram 11**

**Diagram 11**

## Preparing The Fire Arteon 3SL/P *Continued....*

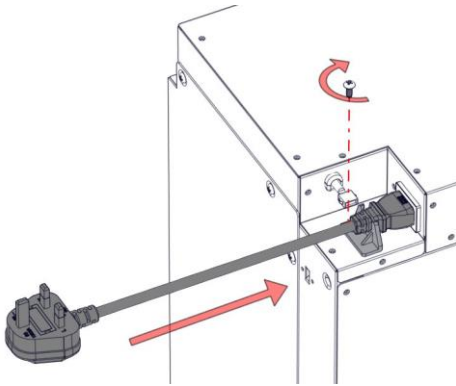


**Diagram 15**

Before fitting the fire ensure the power cable is installed.

Remove the **1 X Screw** holding the power cable **fixing clip** in place.

**See Diagram 15**

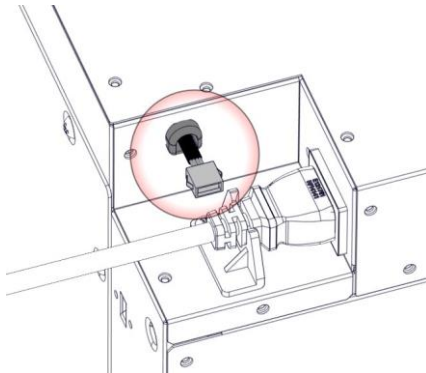


**Diagram 16**

Once removed place the cable clip under **IEC** end of the power cable - insert the **IEC** into the connector port on the fire.

Finally screw the cable clip back in place.

**See Diagram 16**



**Diagram 17**

If installing the **Optional LED Light Set**, familiarise yourself with where the LED Light Set connects into the fire. These must be connected prior to installing the fire.

**See Diagram 17**

830mm Fly Lead plus 3m LED lights are provided in a set.

**Note:** A compatible **LED Light Set** is available from **Bemodern Ltd. (Code: 050199)**. Other makes may not be suitable, and will void the warranty.

**NOTE:** When the LED Light Set is fitted, they should be checked for operation before the access is closed off by the installation. It is advisable to have an access panel in the installation should you need to access the LED Light Set connection after the installation.

## Installation Arteon 3SL/P - Stud wall

Once the fire has been prepared, use the following opening dimensions to construct the stud wall which the fire will be housed in.

The stud wall must include a **header** as specified in the following diagrams. This is to ensure that the weight of the finished wall is not resting on top of the fire. The base of the opening/stud work must also be able to take the full weight of the appliance.

The fire should be positioned on a firm level surface and in a clean 'dust free' environment. If fitted into an open chimney, the chimney must be blocked off to reduce the risk of draught and damp through the fire, which may cause the safety cut out system in the fan heater to operate.

**Note: Any protruding headers MUST be made of a non-combustible material.**

To install into a stud wall the mounting bracket must be removed from the rear of the fire as previously shown in **Diagram 6 and 7, Page 9**.

Once the stud wall has been constructed and secured to the wall and the fire is in its final position, ensure that the power cable has been installed- **See diagrams 15 &16, Page 11** and there is power to the fire before any cladding / plasterboard is installed.

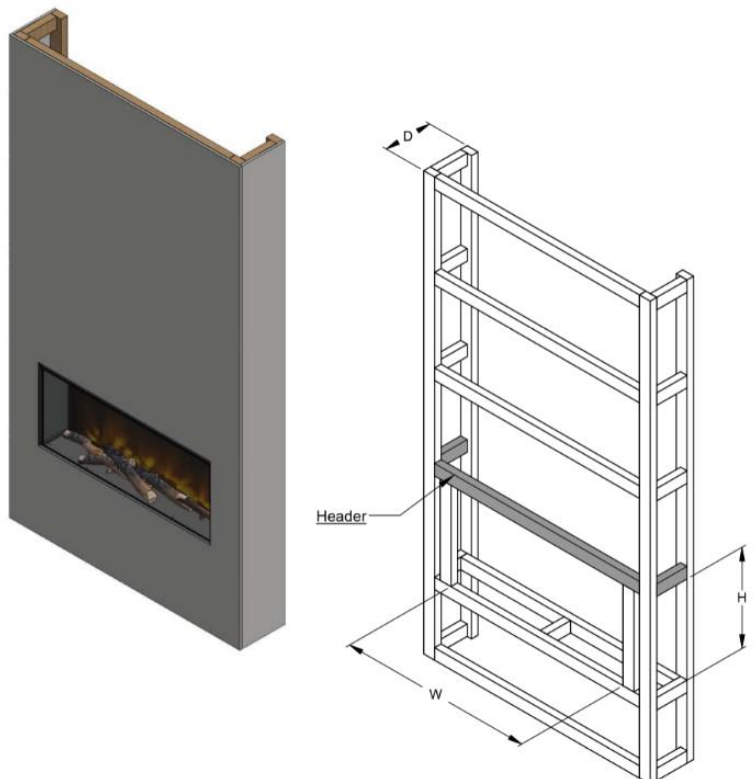
Ensure the design of the stud wall allows for the plug or fuse spur to be easily accessible.

**Note: The following diagrams are examples of how the stud wall could be constructed- Please adjust to your bespoke design, ensuring the 'required opening sizes' detailed in the following tables are adhered to. This will ensure the minimum clearances are maintained during installation.**

### 1 Sided (Fully Recessed) Installation

REQUIRED OPENING DIMENSIONS (mm)			
FIRE	W	H	D
1000 3SL	1003	525	255
1250 3SL	1253	525	280
1500 3SL	1503	525	280
2000 3SL	2003	525	280
600 3SP	587	730	255
750 3SP	737	805	255

**Note: Ensure there is a minimum 10mm clearance between the fire and the wall behind.**



**Diagram 12**



## Installation Arteon 3SL/P - Stud wall *continued....*

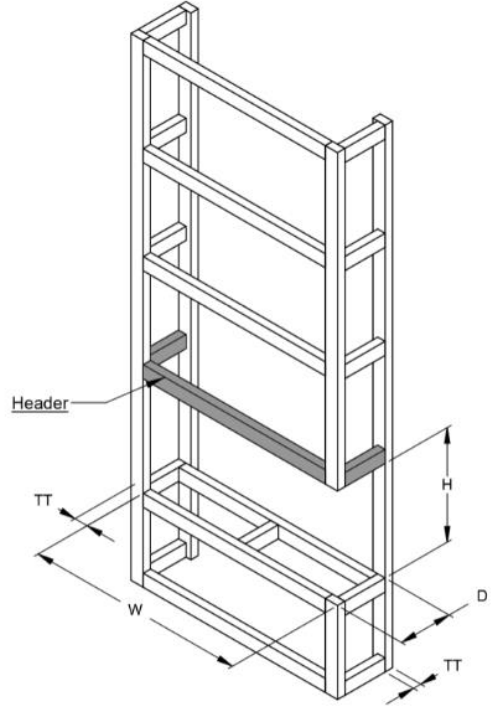
### 2 Sided Installation

#### REQUIRED OPENING DIMENSIONS (mm)

FIRE	W	H	D
1000 3SL	1003	525	246*
1250 3SL	1253	525	271*
1500 3SL	1503	525	271*
2000 3SL	2003	525	271*
600 3SP	587	740	246*
750 3SP	737	815	246*

\* + TT- Timber Thickness

**Note:** Ensure there is a minimum 10mm clearance between the fire and the wall behind.



**Diagram 13**

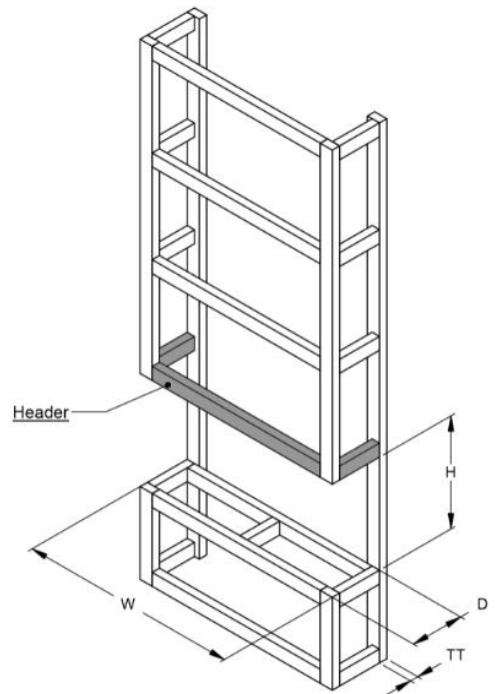
### 3 Sided Installation

#### REQUIRED OPENING DIMENSIONS (mm)

FIRE	W	H	D
1000 3SL	1003	525	246*
1250 3SL	1253	525	271*
1500 3SL	1503	525	271*
2000 3SL	2003	525	271*
600 3SP	587	730	246*
750 3SP	737	805	246*

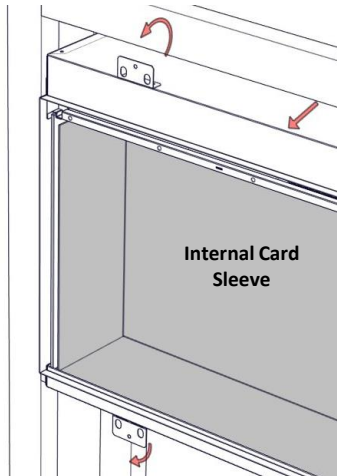
\* + TT- Timber Thickness

**Note:** Ensure there is a minimum 10mm clearance between the fire and the wall behind.



**Diagram 14**

## Installing The Fire- Arteon 3SL/P



**Diagram 18**

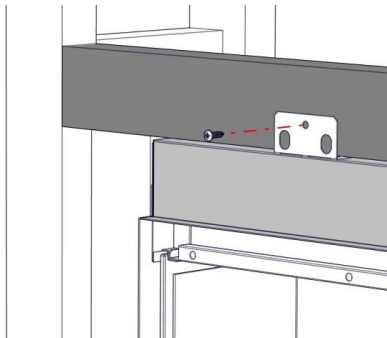
**Note: The fire is a two adult person lift**

Lift the fire into the stud wall opening- leaving approx. **50mm** of the fire protruding to the front.

Unfolded the **fixing brackets** at the top and bottom of the fire.

See **Diagram 18**

**Tip: Leave the protective internal card sleeve in place. This will help the keep the internal of the fire clean during the plastering/finishing stage of installation.**



**Diagram 19**

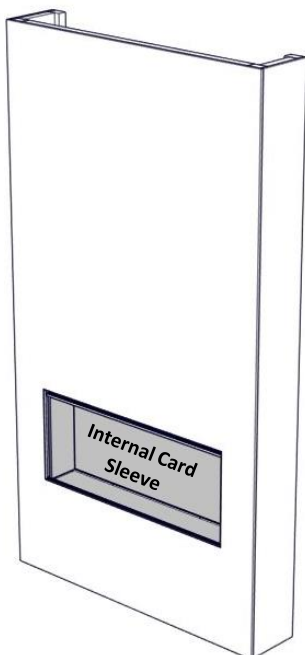
Once the brackets are unfolded push the fire into position, ensuring the face of the fire is flush with the face of the stud wall.

If the faces are not flush- there is adjustment on the top and bottom fixing brackets. Adjust accordingly.

**Note: The brackets will sit proud of the finished surface.**

Once in place screw through the holes in the **fixing brackets**- securing the fire to the stud wall. **Note: These screws are not provided.**

See **Diagram 19**



**Diagram 20**

**Note: Before proceeding further ensure there is power to the fire and it is operating correctly.**

**Note: If the optional Led Light Kit has been purchased ensure this has been connected to the relevant port on the fire-before cladding / plasterboard is installed See Diagram 17- Page 11.**

**Note: Ensure the plug / fuse spur and optional LED Light Set can be fully accessible once the cladding / plasterboard is installed.**

Once the above has been checked- Clad / plasterboard, skim and finish the stud wall and remove the internal card sleeve and discard.

See **Diagram 20**

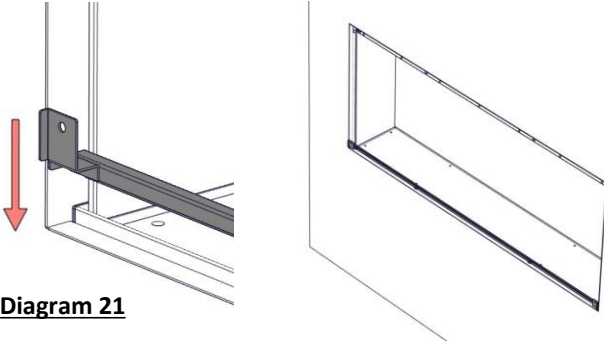
**Tip: Position the sealed edge of the plasterboard against the fire brackets protruding from the fire., This will help maintain a clean/sharp edge.**

The fuel bed can now be dressed and the logs positioned.

See **Diagram 21- 24- Page 15**



## Fuel Bed Layout & Log Positioning- Arteon 3SL/P

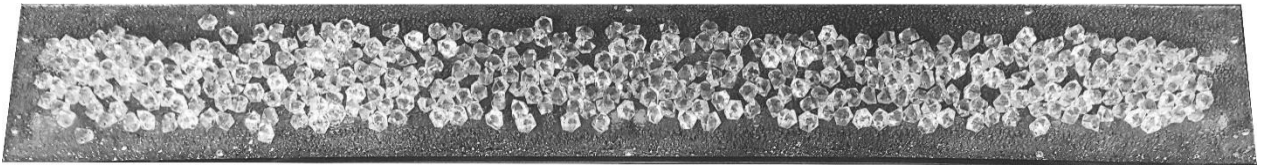


**Tip:** Before dressing the fuel bed- position the previously removed glass bracket in the channel in the base of the fire, this will help to stop the smaller fuel bed material falling into the channel during installation.

See Diagram 21

The dressing of the fuel bed can be **fully tailored** to the customers **individual tastes**. A sufficient amount of each fuel bed finishing material has been provided to cover the fuel bed in a **single type** of material.

**Fuel Bed Dressing-** As a starting point follow the example below:

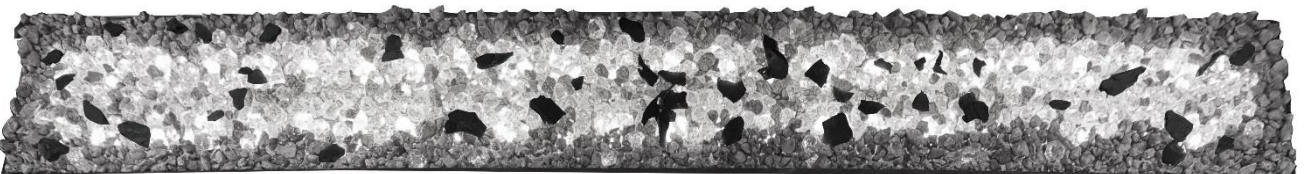


**Diagram 22-** Place a large amount of **crystals** in the centre of the fuel bed- leaving a gap around the edges.

**Tip-** The crystals pick up light from the under bed lights to give you a realistic glowing ember effect, so we recommend using a generous amount.



**Diagram 22-** Fill the space around the edges of the crystals with the **pebbles**, as well as randomly in between the crystals.



**Diagram 23 -** Add the bark and/or the grey slate sparingly and randomly across the top of the crystals and pebbles. **Finally** arrange the logs on top.

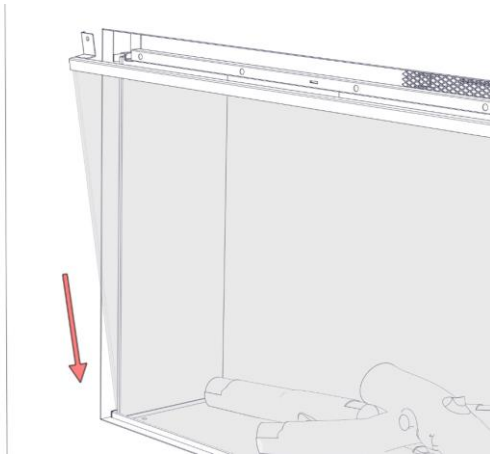
**Positioning the logs-** As a starting point follow the example below:



**Diagram 24-** Above shows an example of the 6 X log set up for the **Arteon 1000 3SL** .

For the **Arteon 1250 3SL, 1500 3SL, 2000 3SL, 600 3SP, 750 3SP-** position the logs as required.

## Replacing The Glass- Arteon 3SL/P



**Diagram 26**

Finally the **Glass** and **Glass Bracket** can be refitted, using the previously removed **2 X Screws**.

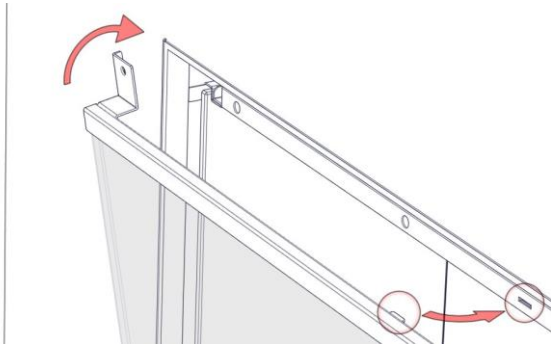
**Tip- Check the channel in the base of the fire is free of any fuel bed material before proceeding further.**

Centralize the **Glass Bracket** on top of the **Glass**.

**Tip- Ensure the rear of the glass is clean before fixing in place.**

With the cleaned **Glass** and **Glass Bracket** angled forward slightly, position in the channel in the base of the fire.

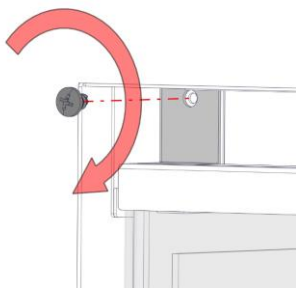
**See Diagram 26**



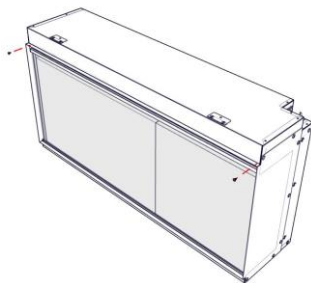
**Diagram 27**

Carefully push the **Glass** and **Glass Bracket** back towards the installed fire ensuring the **tabs** on the Glass Bracket align with the **cut outs** on the fire and that the **holes** on the Glass Bracket align with the **holes** on the fire.

**See Diagram 27**



**Diagram 28**



Once in the correct position secure with the **2 X Screws**. **1 X Screw** either side of the fire.

**See Diagram 28**

The installation is now complete.

**For manual, remote and APP operating instructions See pages 30-46**

## Arteon 3SP Opening Sizes & Installation Introduction

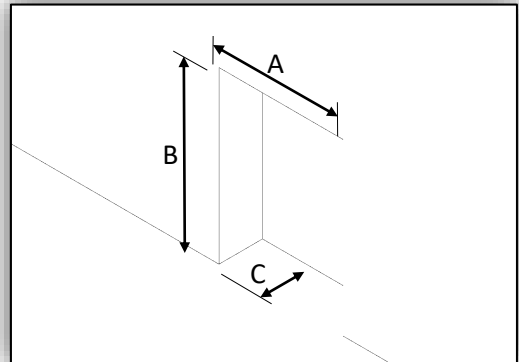
### Opening Sizes

**Note:** Follow the below minimum clearances in order to fit the appliances into a back panel. Before the fire can be installed, consideration will need to be given to routing the power supply to the fire. We advise a qualified electrician conduct any electrical parts of the installation.

**Note:** An accessible single socket is required for the operation of the fire.

For efficient safe running of the fire we advise a **minimum** aperture opening area for both the 600 3SP & 750- 3SP Arteon fires as specified in the table below.

FIRE MODEL	A (mm)	B (mm)	C (mm)
600 3SP ARTEON	610	880	215
750 3SP ARTEON	760	955	215



### Installing the Arteon 3SP Fires

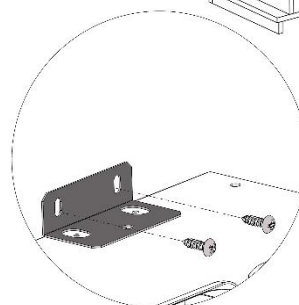
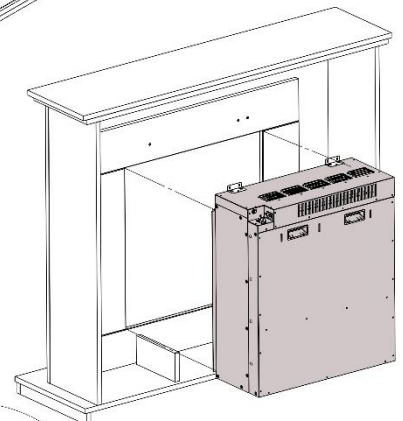
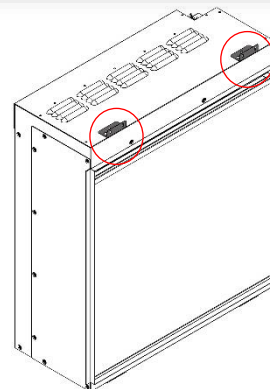
1. Un-pack the fire and all fixings from the packaging.
2. Dependent upon your surround material there are different options to secure the fire in place. For **timber** back panel surrounds the fire will be secured to the back panel by screwing in place using the fires fixing points (see Fig.1). For **marble** construction back panels an extra back brackets have been provided to allow installation of the fire into marble surround. See P19

### Installation in a Timber Back Panel

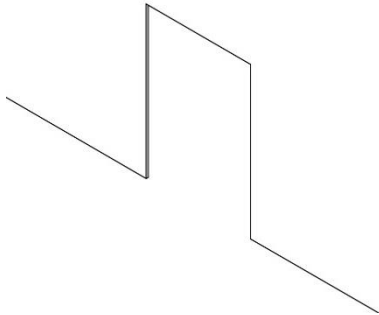
3. Unpack the surround that the fire will be installed into and position away from the wall.
4. Remove the rear bracket from the fire. (See P10 Diagram 7)
5. Unfold the top brackets. (see Dia.29).
6. Insert the fire from the back of the surround into the opening in the back panel on to the base supports. (see Dia.30).

**IMPORTANT:** If a power cable is to be routed to the rear of the mantel. Care must be taken not to crush or damage the cable when positioning the fire.

7. Mark the fixing points in pencil on the back panel (see Dia.31). Using the marked fixing points drill 2.5mm pilots holes 6mm deep.



## Arteon 3SP Installation *Continued*.....



### Installation in a Marble Back Panel

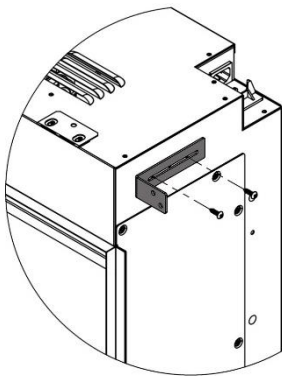
Using the recommended sizes in the table on **P18**, make a cut out in the wall to fit the fire into- the opening size will depend on the model purchased.

Ensure the brick work above the fire is support by a lintel.

If unsure of these requirements please consult professional trades person expert advice.

**See Diagram 32**

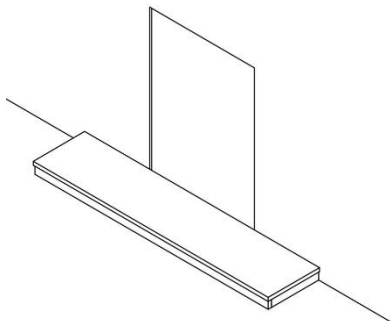
**Diagram 32**



Fit the L-brackets to the top right and left hand side of the fire.

**See Diagram 33**

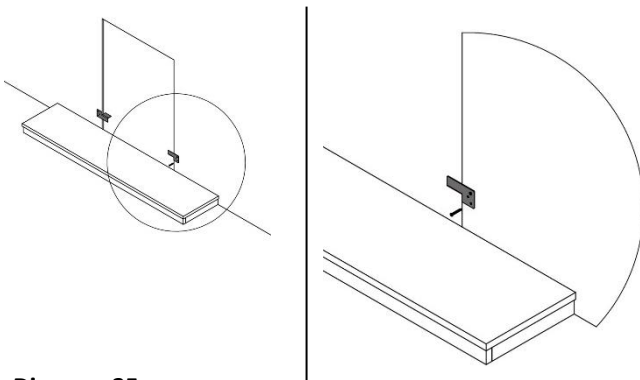
**Diagram 33**



Install the hearth centrally to the opening.

**See Diagram 34**

**Diagram 34**

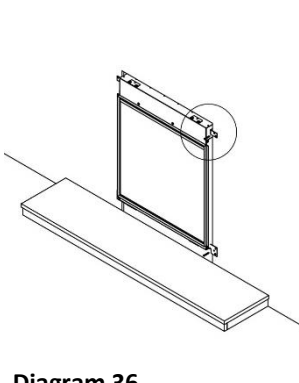


Working from the hearth upwards- install the wall brackets so the fire will sit centrally in the opening of the back panel.

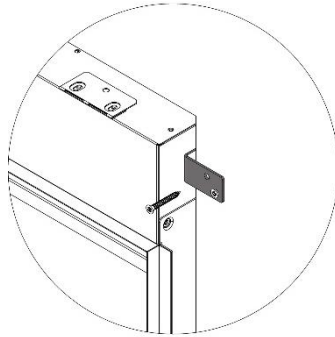
**See Diagram 35**

**Diagram 35**

## Arteon 3SP Installation *Continued*.....



**Diagram 36**



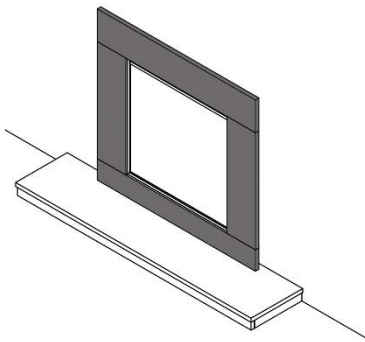
Install the fire.

Set the fire so the back panel will sit at the required rebate for the surround purchased.

**IMPORTANT:** If a power cable is to be routed to the rear of the mantel. Care must be taken not to crush or damage the cable when positioning the fire.

Mark, drill, plug and screw the fire through the fixing points- securing the fire to the wall.

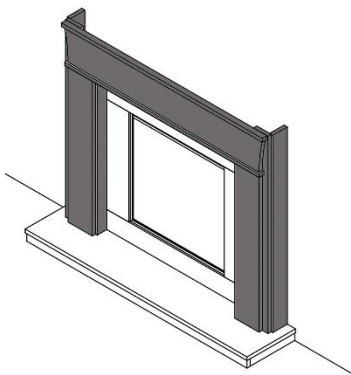
**See Diagram 36**



**Diagram 37**

Install the back panel

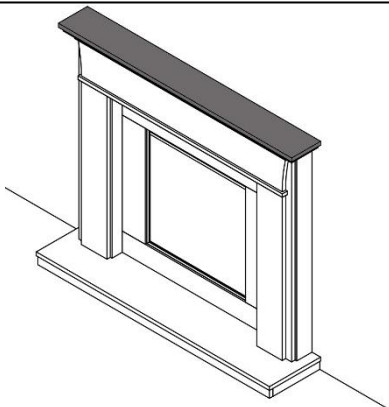
**See Diagram 37**



**Diagram 38**

Install the main body of the surround

**See Diagram 38**



**Diagram 39**

Install the top.

**See Diagram 39**

## Inset Fire Opening Sizes & Installation Introduction

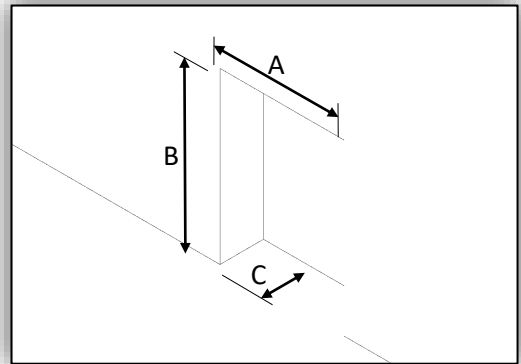
### Opening Sizes

**Note:** Follow the below minimum clearances in order to fit the appliances into a back panel or cavity. Before the fire can be installed, consideration will need to be given to routing the power supply to the fire. We advise a qualified electrician conduct any electrical parts of the installation.

**Note:** An accessible single socket is required for the operation of the fire.

For efficient safe running of the fire we advise a **minimum** aperture opening area for both the 16" and 22-16" Arteon fires as specified in the table below.

FIRE MODEL	A (mm)	B (mm)	C (mm)
16" ARTEON	413	565	145
22-16" ARTEON	515	565	145
16" ARTEON & WITH SPACER FRAME	413	565	75
22-16" ARTEON & WITH SPACER FRAME	513	565	75

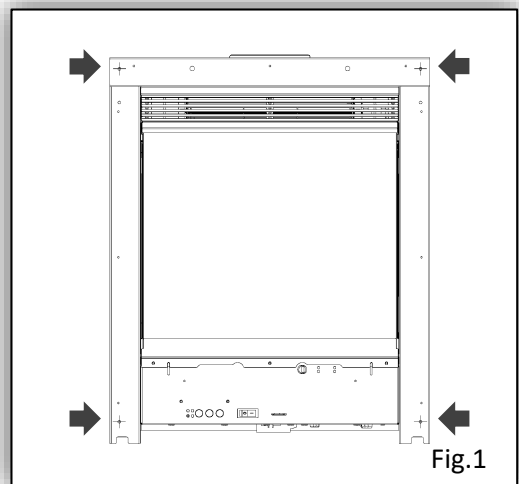


### Installing the Arteon fire

1. Un-pack the fire, trim & all fixings from the packaging. If a spacer has been purchased proceed to **P9**, otherwise please follow the below steps.

2. Dependent upon your surround material there are different options to secure the fire & trim in place. For **timber** back panel surrounds the fire will be secured to the back panel by screwing in place using the fires fixing points (**see Fig.1**). For **marble** construction back panels an extra back panel clamp bracket has been provided to allow installation of the fire into marble surround.

**IMPORTANT** - This bracket must be used if fitting the cast trim to the fire.



### Installation in a Timber Back Panel

3. Position the fire centrally within the back panel.

**IMPORTANT:** If a power cable is to be routed to the rear of the mantel. Care must be taken not to crush or damage the cable when positioning the fire.

4. Mark the fixing points in pencil on the back panel (**see Fig.1**) & remove the fire to prevent any damage. Using the marked fixing points drill 2.5mm pilots holes 6mm deep.

5. Reposition the fire in the back panel over the pre-drilled fixing points and screw securely in place with the 4-off 8 X 3/4 R/H Pozi Pan Screws.

**NOTE:** Care must be taken not to over tighten the fixing screws, distorting the fire metalwork.



## Inset Fire Installation *Continued*.....

### Installation in a Marble Back Panel

6. Screw the back panel clamp bracket to the top of the fire by removing 3-off 10mm dome head screws fixed in the top of the fire. **(See Fig. 2.)**

There are three mounting positions dependent on the back panel thickness or if a spacer is being used. **(See Fig. 2.)**

7. Due to the variation in marble back panel thickness, the back panel clamp bracket may need to be bent forward or backwards by hand to aid fitment.

**NOTE:** The bracket has been design to prevent the fire falling forward only and is not expected to be a tight fit.

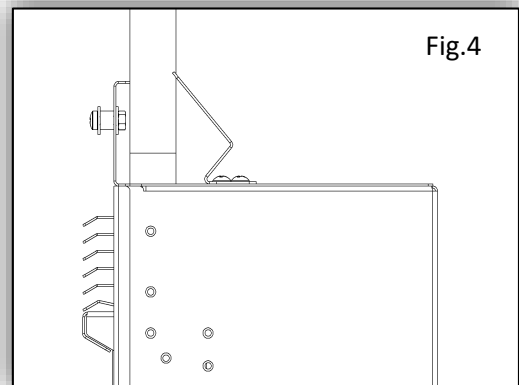
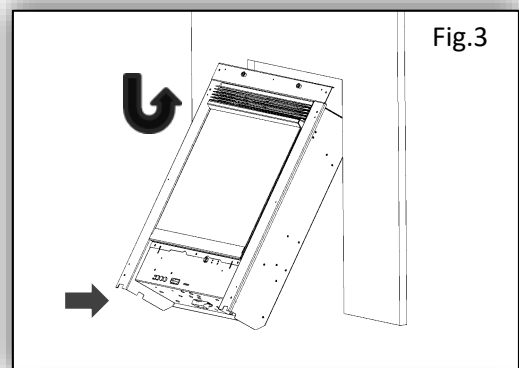
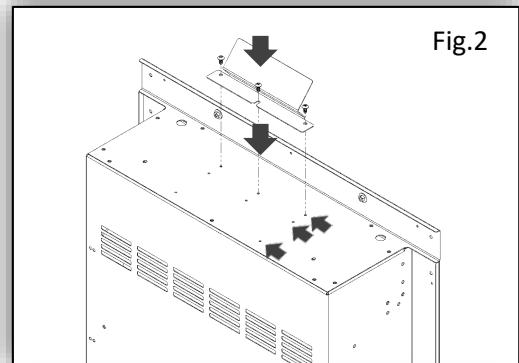
8. To fit the fire in place. Position the rear hook bracket under the back panel at an angle **(See Fig.3/4)** taking care not to trap the power cable.

**NOTE:** Care must be taken not to scratch the surround hearth at this stage of installation.

Once the fire lower rear edge has cleared the hearth, the fire can be stood up right and slowly eased back in to the back panel cut-out.

To overcome the spring effect of the clamp, light pressure may be added to the fire to allow the fire to move back into place in the back panel cut-out. When the fire is in its finished position the back panel clamp bracket will secure the fire against the back panel.

9. In the event the fire needs to be removed. Lift the fire vertical and angle the fire out of the back panel cut-out from the bottom.



## Inset Fire Installation *Continued*.....

### Spacer Frame Assembly & Installation

10. If the spacer frame is to be used for the installation, position the back panel clamp to the rear screw position. Begin by removing 3-off 10mm dome head screws fixed in the top/front of the fire. **(See Fig. 2.)**

When the clamp is used in the rear fixing position the removed middle screw is not required.

Instead the middle fire body screw should be backed off 2mm to allow the clamp bracket to slide under the screw head.

Now the remaining two screws can be fitted in place. Tighten all three screws to secure the clamp bracket. **(See Fig. 5.)**

11. Due to the variation in marble back panel thickness. The back panel clamp bracket may need to be bent forward or backwards by hand to aid fitment.

**NOTE:** The bracket has been designed to prevent the fire falling forward and is not expected to be a tight fit.

12. For fitment of the spacer frame, position the spacer over the rear of the fire and line up the fixing points with the mounting holes in the fire body.

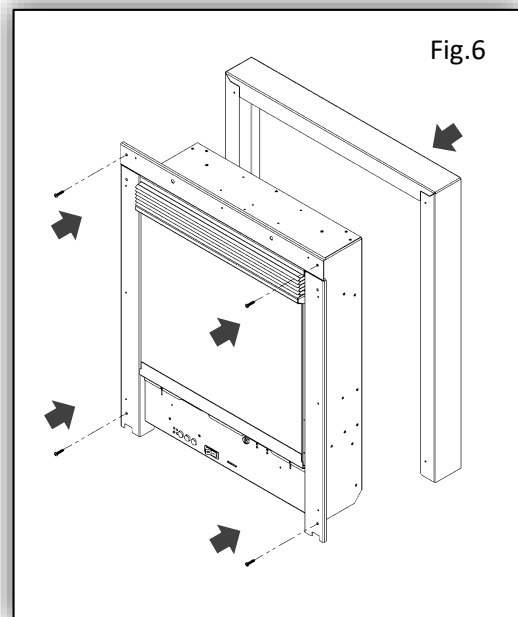
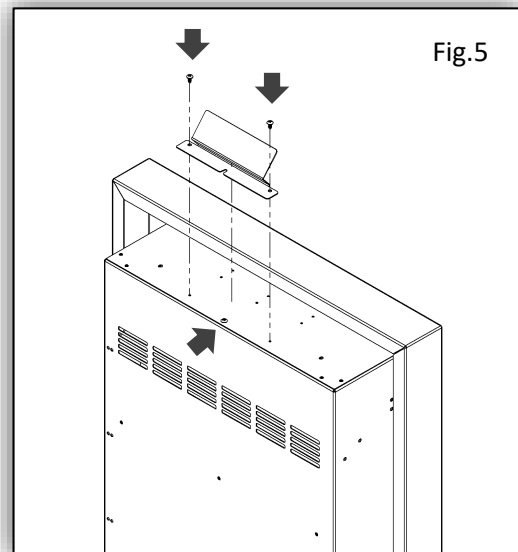
For this installation the four short mounting screws supplied with the spacer frame **are not** required and can be put to one side.

In their place four 4 x 19mm dome head screws have been supplied with the fire. **(See Fig. 6.)**

13. Screw through the fire mounting points to secure the spacer to the fire.

**NOTE:** care must be taken not to over tighten the fixing screws, distorting the fires metalwork. **(See Fig. 6.)**

14. For installation in a marble or timber back panel with spacer frame installed. Please follow **Step 8** in the installation process.





## Inset Fire Installation *Continued*.....

### **Devotion Trim & Fret Assembly & Installation**

15. Remove the trim from the packaging and unpack the fret part from the secondary packaging box, packed down the side of the fire.

16. If applicable remove the protective film from the finished face of the trim and fret parts.

**NOTE:** Care must be taken when assembling the trim components to prevent scratching or damage.

17. The two bar lower fret (ash pan) will be pre-assembled, but will need the knob fitting. Place the provided screw through the hole in the fret from the rear and hold in place whilst screwing the knob on to the screw from the front. When the knob is finger tight. Hold the knob securely and tighten the screw with a screw driver. **(See Fig.9.)**

18. Attaching the top fret parts to the trim assembly. Place the top fret cross bar over the upper most mounting studs and secure with the 4-off nuts supplied.

**NOTE:** The notched section of the cross bar should be at the bottom facing downwards. **(See Fig. 10.)**

19. Repeat **Step 18.** for the second fret cross bar. On the next set of mount studs down.

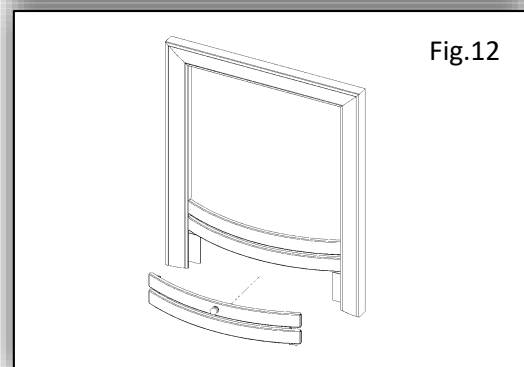
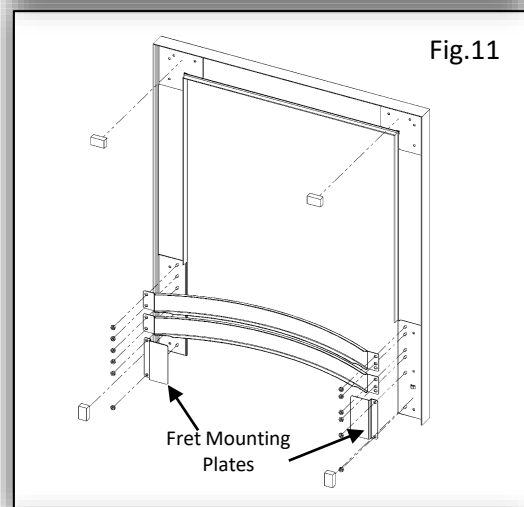
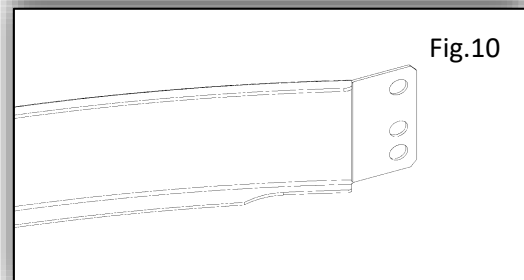
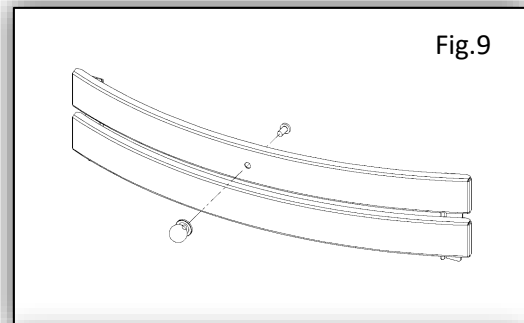
20. Place one of the lower fret mounting plates over the bottom two stud on the trim assembly and secure with the supplied nuts. Repeat for the opposite side. **(See Fig. 11.)**

21. Position the 4-off supplied magnet blocks on the indicated positions on to the back of the trim. **(See Fig. 11.)**

**NOTE:** The two bar lower fret has its on magnets attached.

22. Position the assembled trim over the installed fire body, the magnets will secure it in place.

23. To finish the Devotion trim installation place the pre-assembled lower fret over the magnetic mounting points in line with the upper fret cross bars. **(See Fig. 12.)**



## Inset Fire Installation *Continued*.....

### Ray Trim Assembly & Installation

24. If applicable remove the protective film from the finished face of Parts A. & C.

**NOTE:** Care must be taken when assembling the trim components to prevent scratching or damage.

If the trim is pre-assembled please proceed to **Step 29**, if not please follow from **Step 25**.

25. To install the Ray trim. Start with Part C. Drop down the bottom fret bar and position Part E. 2-off 20mm Dia. magnets on the rear face of the bottom fret bar. (See Fig. 13/14.)

26. Close the fret bar parallel to the trim body. This will prevent movement on installation.

27. Lay Part A. face down on a clean surface and position Parts B. 2-off 10mm Dia. magnets together in each corner of the rear face. (See Fig. 13/14.)

28. With Part A. placed face down, place Part C. over the rear of Part A.

**NOTE:** The magnets are strong and may jump about when joining the parts. Care must be taken at this stage not to scratch the finished faces.

29. To finish the sub assembly of the Ray trim position Parts D. 2-off 10mm Dia. Magnets on the tabs (supplied loose) at the rear Part C. (See Fig. 14.)

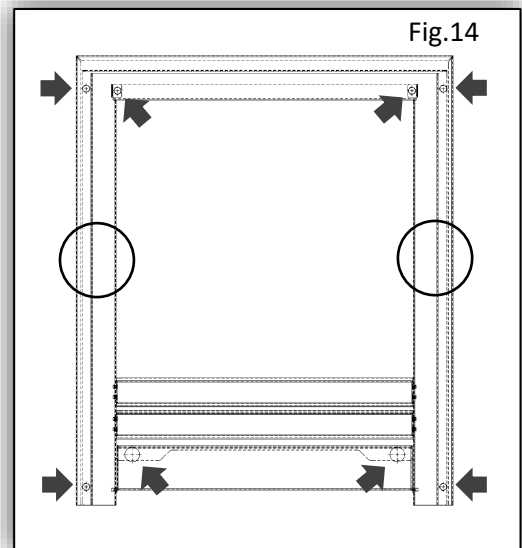
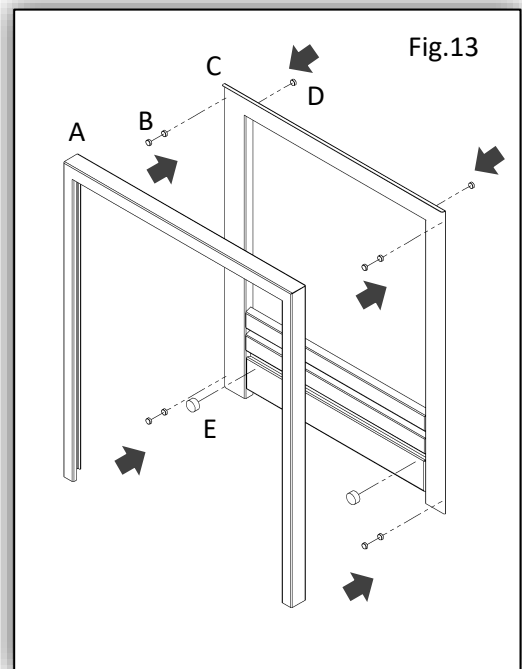
30. To position the trim on the fire hold the assembled trim at the **midpoint** of each leg (circled) and place over the fire, Part D. magnets will hold the fret in position.

31. To remove the trim for cleaning. Hold the assembled trim at the **midpoint** (circled) of each leg and lift away the full trim assembly as one.

### Cast Trim Assembly & Installation

32. If a Cast Trim has been purchased please follow the separate installation instructions provided with the Cast Trim.

**NOTE:** The spacer frame can not be used with the cast trim.



## Inset Fire Internal Fuel Bed Layout & Log Positioning

**NOTE:** The logs between the 16" and 22-16" Fires differ in size.

The dressing of the fuel bed can be fully tailored to the customers individual tastes. A sufficient amount of each fuel bed finishing material has been provided to cover the fuel bed in a single type of material.

The fuel bed material can be found in the cardboard box positioned behind the front glass. To access this and dress the fuel bed the glass needs removing.

**Please follow the below steps:**

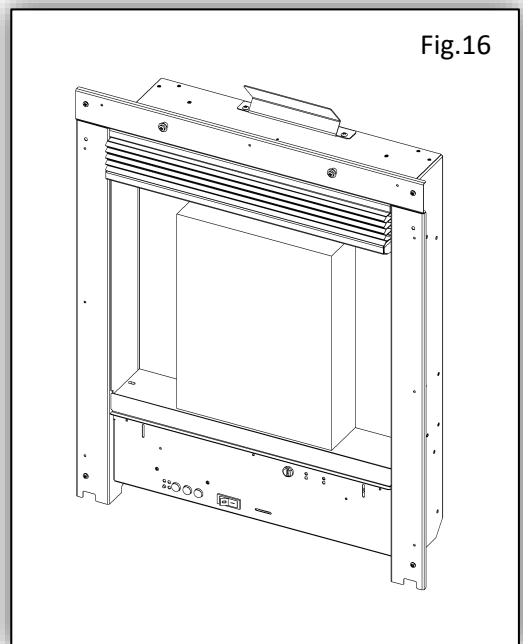
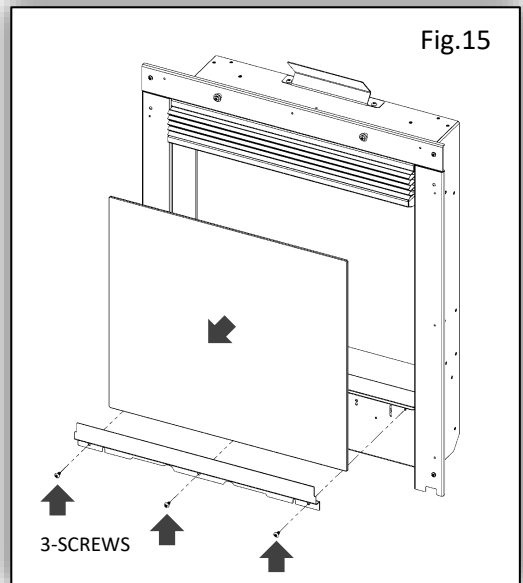
1. Remove any installed trim.
2. Remove the 3-off screws holding the glass retaining bracket in position **(See Fig. 15.)**

**NOTE:** The glass sits on a small ledge, however we recommend holding the glass against the fire on the edge with your free hand whilst removing the glass retaining bracket.

3. Once the glass retaining bracket has been removed, angle the glass out from the bottom, past the small ledge and lower it out of the groove at the top of the fire.

**NOTE:** Place the glass safely to one side to avoid, until it is required to be refitted.

4. Carefully remove the cardboard box behind the screen **(See Fig. 16.)** and progress with dressing the fuel bed as detailed on **P13.**

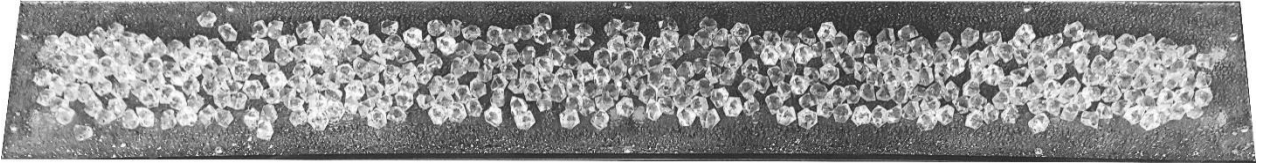


---

## Internal Fuel Bed Layout & Log Positioning *Continued*.....

---

**Fuel Bed Dressing-** As a starting point follow the example below:

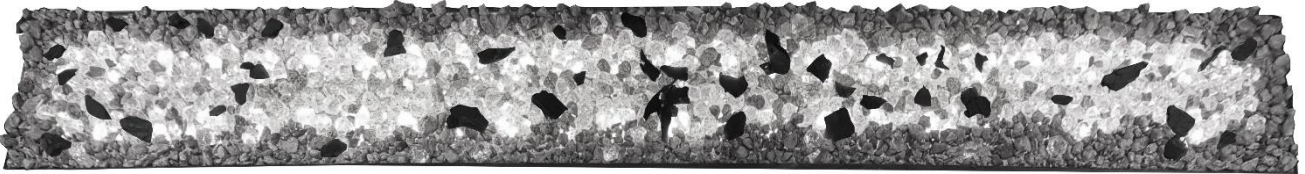


Place a large amount of **crystals** in the centre of the fuel bed- leaving a gap around the edges.

**Tip-** The crystals pick up light from the under bed lights to give you a realistic glowing ember effect, so we recommend using a generous amount.

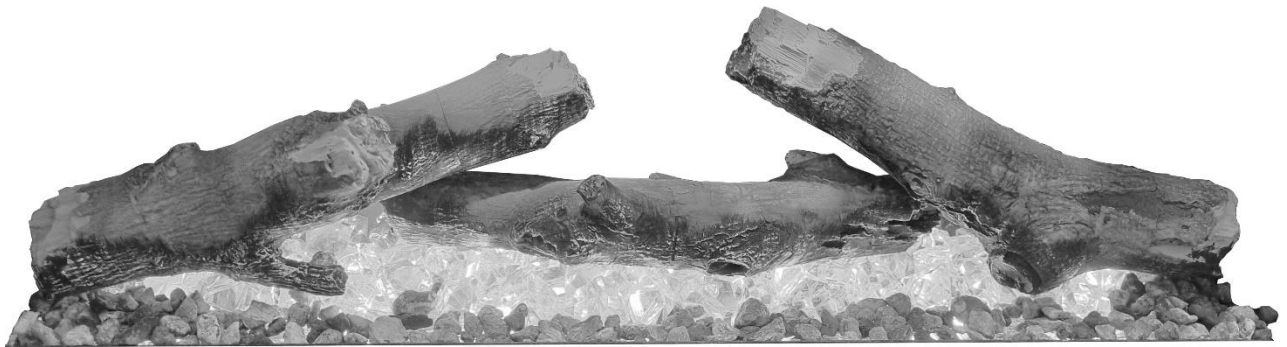


Fill the space around the edges of the crystals with the **pebbles**, as well as randomly in between the crystals.



Add the bark sparingly and randomly across the top of the crystals and pebbles. **Finally arrange the logs on top.**

**Positioning the logs-** As a starting point follow the example below:



Above shows an example of the **3 X** log set up for the **Arteon 16"**.

For the **Arteon 22-16"**, the same layout can be followed, however please note the logs on the 22"-16" fire are larger at each end.

---

## Replacing The Glass

---

Once the fuel bed has been dressed, replace the glass following the steps on **P12** in reverse order.

---

## Inset Fire Dressing The External Fuel Bed

### (16" Arteon Curved Only)

**NOTE: There are two options for the curved front fuel bed:**

- A. A molded pebble & crystal fuel bed
- B. An acrylic fuel bed ( for use if full crystal, bark, slate coverage is required)

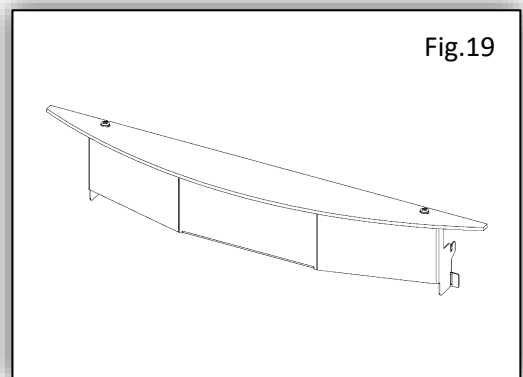
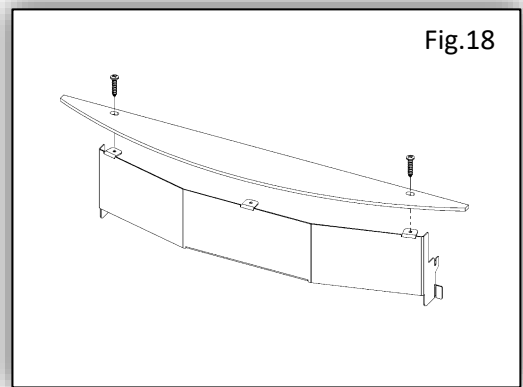
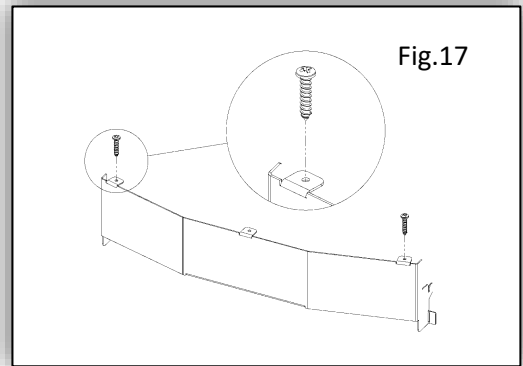
**Please follow the below steps:**

1. Remove any installed trim.
2. Remove the 2-off pre-fitted screws from the metal curved front fuel bed at each side. **(See Fig.17.)**
3. Decided on the fuel bed you wish to install
4. Fix using the previously removed 2- off screws. **(See Fig.17/18)**

**NOTE: Be careful not to over tighten the screws.**

5. If the acrylic fuel bed has been installed, proceed with covering with crystals, bark or slate. **(See Fig.19.)**

6. The molded pebble and Crystal fuel bed can have bark, slate or further crystals added as per your individual requirements.



---

## User Instructions - Introduction

---

**WARNING! Do not operate the appliance if it is damaged or has malfunctioned. If you suspect the appliance is damaged or has malfunctioned call a qualified service engineer to inspect the appliance, and replace any part of the electrical system if necessary, before reuse.**

**WARNING! To reduce the risk of fire, keep textiles, curtains, or any other flammable material a minimum distance of 1 meter from the air outlet.**

**MAKE SURE** the plug fits tight in the outlet. Faulty wall outlet connections or loose plugs can cause the appliance to overheat.

**Do not** disconnect the power at the mains supply whilst the appliance is running. Use the functions on the remote to turn the fire off and ensure the mains switch has been moved to the off position before disconnecting.

### PREPARATION FOR USE

This appliance can be operated by manual control, remote control or APP. NOTE: To use the appliance the main power switch must be in the 'ON' position.

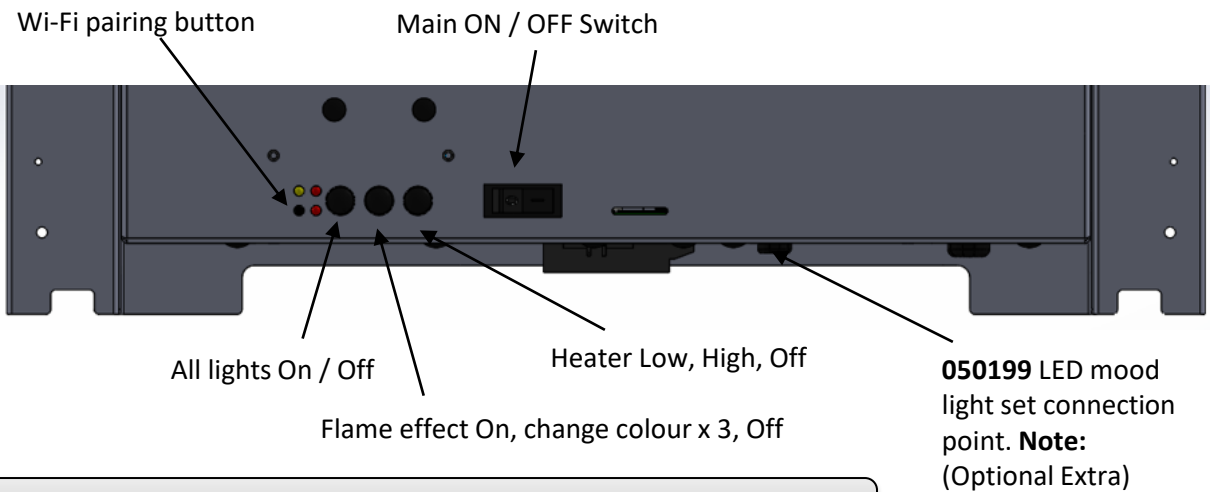
#### Batteries

Ensure that the handset batteries are new and inserted correctly.

#### Main Power Switch

This needs to be switched ON before operating the appliance. A long beep will be heard to indicate the fire is ready for use.

## User Instructions – Manual Control



**NOTE: The manual buttons control basic functions, not a full range of controls. Use the remote handset or APP to carry out all functions.**

Turning on the appliance with the main power switch to “—” position. A long beep will be heard.

Press “Heater button” to turn the heater on. The heater will come on low setting, press again to enable high setting and again to turn off the heater.

Press “FLAME” button to turn on the flame effect and cycle through the 3 colours of flame effect and off.

Press “Light button” to turn all the lights on / off. When you choose to turn the flame effect off it will slowly fade and then turn off.

**NOTE: The controls on appliance will lose the memory for all function settings when the switch is set to the Off Position.**

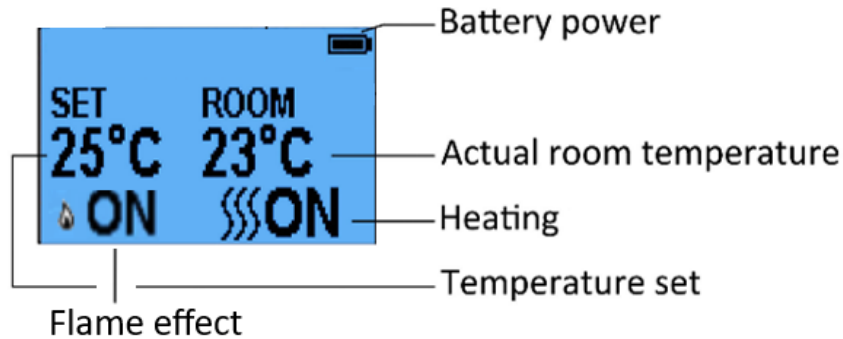
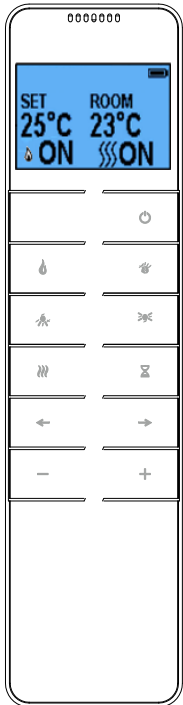
**When the remote runs out of power or when you change the batteries, the flame function will lose its memory, however this will not affect the timer settings, the clock and date may need to be adjusted.**

### Remote Control Pairing

The fire and remote are already paired, however if you need to pair the remote or a replacement remote press and hold the “All Lights On / Off” button until you here two beeps then press the power button on your remote control, you will hear a single beep confirming the pairing process has been complete.



## User Instructions – Remote Control



	Power Button	Used to turn on and off all the lighting effects.
	Flame	Used to turn on the flame effect function. There are total three flame effects: high power yellow, high power yellow + amber, high power red and off. Press “←” “→” buttons to choose the type of flame, press “+” “-” buttons to adjust flame brightness, the brightness can be adjusted in 5 levels (excluding OFF).
	Mood Lighting	Used to turn on the mood lighting function. There are total 13 mood lighting colours plus a 13 colour cycle. Press “←” “→” buttons to choose the type of mood light, press “+” “-” buttons to adjust background light brightness, brightness can be adjusted in 5 levels (excluding OFF).
	Fuel Bed	Used to turn on the fuel bed lighting function. There are total 8 fuel bed modes, press “←” “→” buttons to choose the type of fuel bed light, press “+” “-” buttons to adjust fuel bed brightness, brightness can be adjusted in 5 levels (excluding OFF).
	Downlights	Used to turn on the down lights function. There are total 8 downlight modes and an 8 colour cycle. Press “←” “→” buttons to choose the type of spotlights, press “+” “-” buttons to adjust spotlight brightness, brightness can be adjusted in 5 levels (excluding OFF).
	Timer	Used to turn on the timer function. Timing settings: 0.5H,1H,2H,3H,4H,5H,6H,7H,8H,9H,10H,turn off. A total of 12 cycles: Default timer is set to off. Press the button once to set the timer 0.5H, press again for the next timing setting. When the heating is in AUTO, turn on countdown timer. At the end of the countdown, all functions will be turned off, the smart mode is also turned off.
	Heat	Used to turn on the heating. There are two heating modes: LOW and HIGH then OFF. Press “+”, “-” buttons to adjust the set temperature, the temperature setting range is 6-35 °C.
	Left/Right buttons	Used to move the cursor to select corresponding changes, such as the selection of lighting types
	Plus/Minus buttons	Used for digital increase and decrease, gear increase and decrease adjustment when lighting brightness setting, etc.



## User Instructions - APP Control

### Download the APP and Register an account

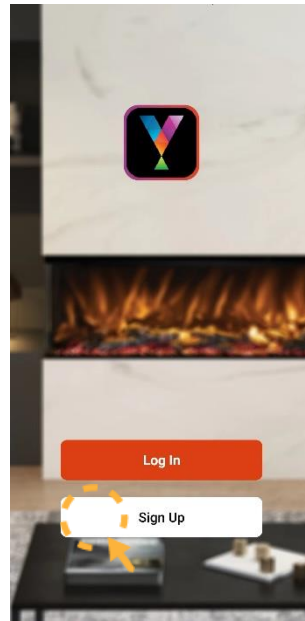
1. Download "My PRYZM" APP



My Pryzm

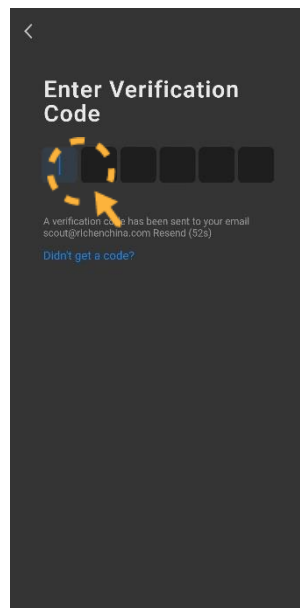
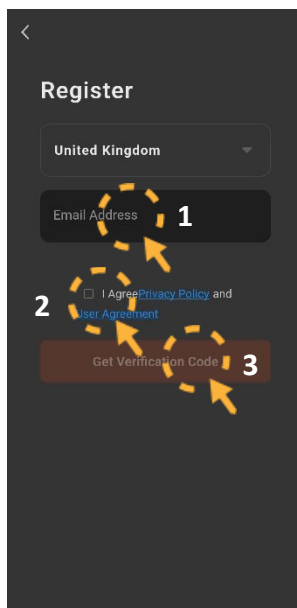


2. Register an account



3. Choose your country. Enter your mobile number or a valid Email address to get verification code.

4. Enter the verification code.



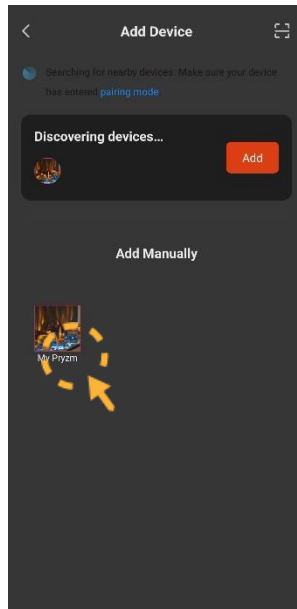
## User Instructions - APP Control

### Add a device

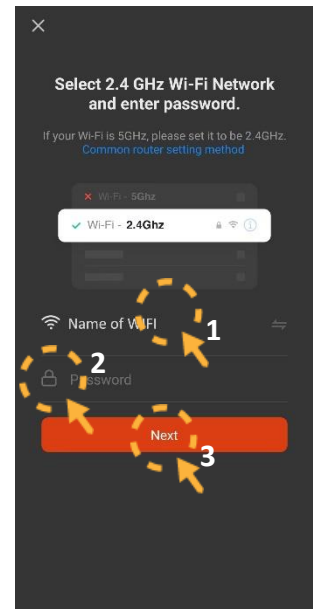
1. Click Add Device or “+”



2. Download "My Pryzm" APP

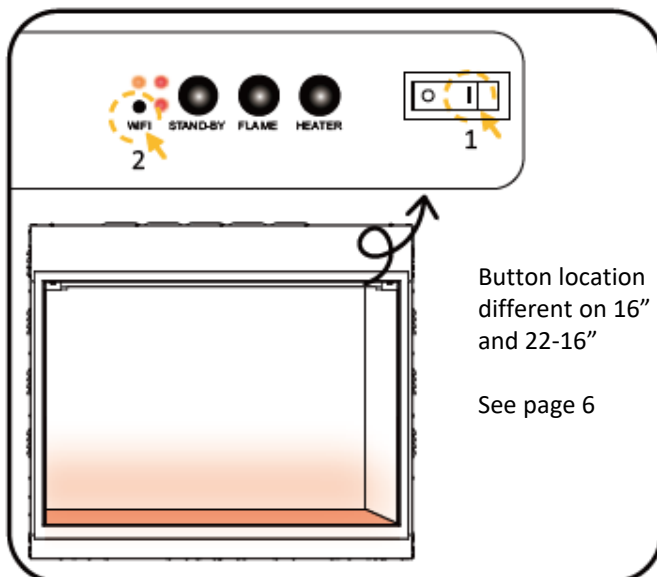


3. Select Wi-Fi network and enter the password, click "Next"

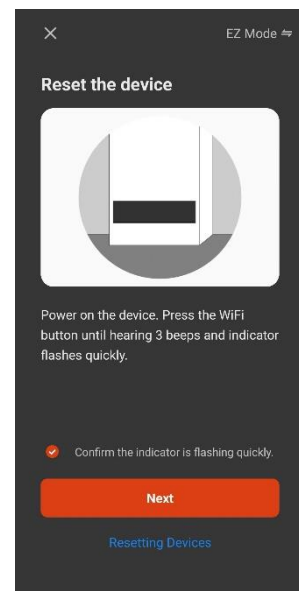


**NOTE:** Make sure your router is using a 2.4 GHz channel. The distance between the router and fireplace isn't less than 50cm.

4. Turn on the appliance, then press and hold the Wi-Fi button until you hear **3 beeps**. The Wi-Fi indicator and fuel bed start to flash.



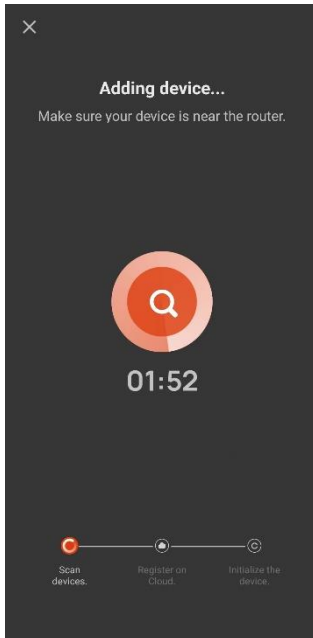
5. Choose the EZ Mode, confirm the indicator is flashing and click "Next".



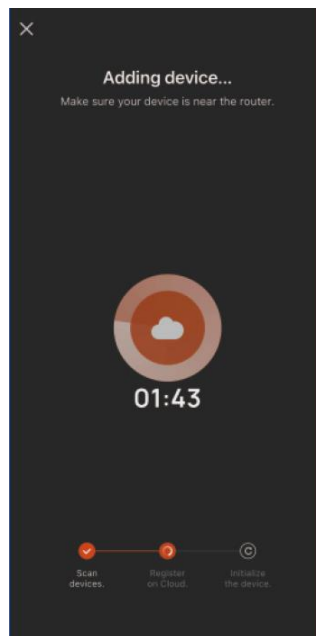
## User Instructions - APP Control *Continued*....

### Add a device - continued

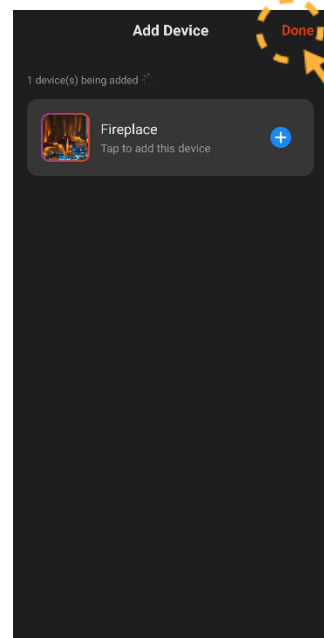
6. Start to add device



7. Once added the fuel bed will turn green and stop flashing

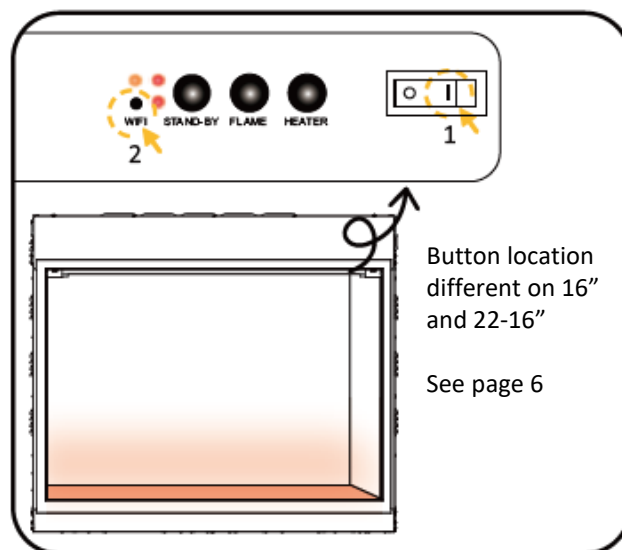


8. Click "Done" to Complete Pairing



8. If the pairing fails in EZ Mode, please try AP Mode

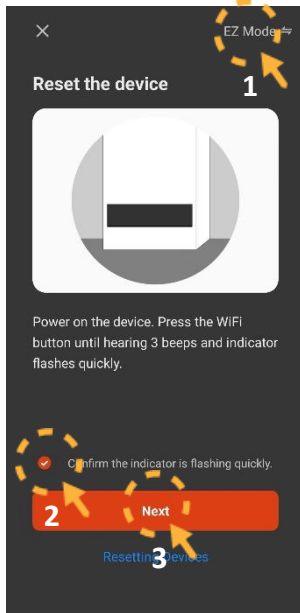
9. Press and hold the Wi-Fi button, you will hear 3 beeps. Keep pressing until you hear other **5 beeps** and the indicator flashes quickly



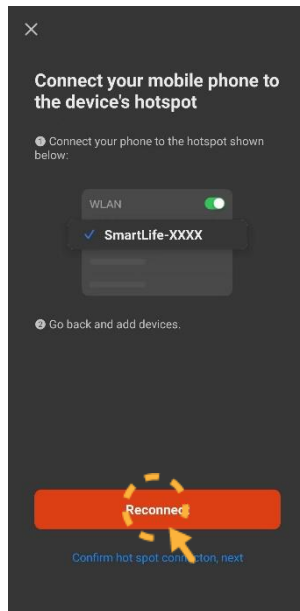
## User Instructions - APP Control *Continued*....

### Add a device - continued

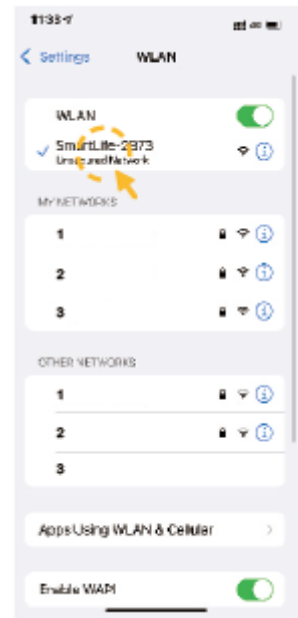
10. Choose the AP Mode, confirm the indicator is flashing and click "Next".



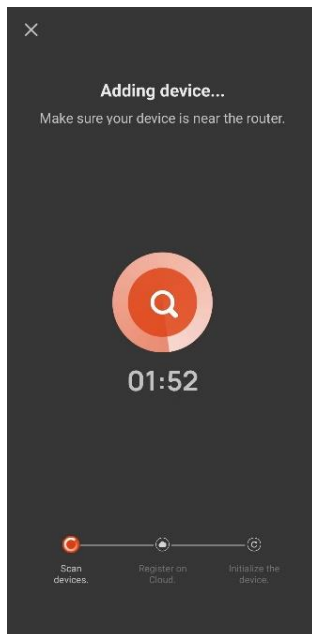
11. Click "Go to Connect"



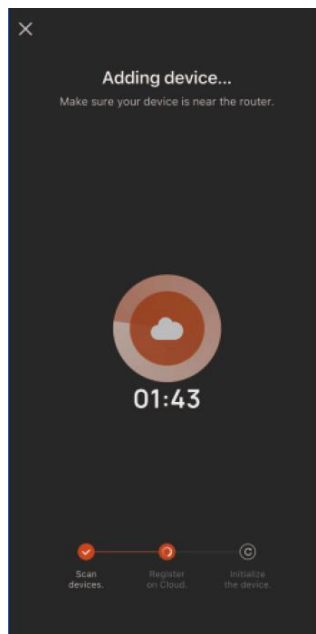
12. Choose a Wi-Fi called "SmartLife-XXX".



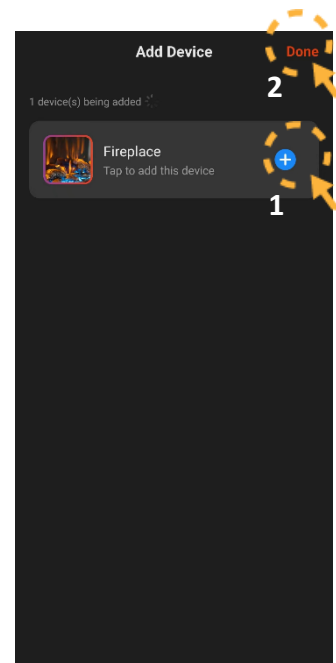
13. Go back to the APP. Start to add device



14. Adding device



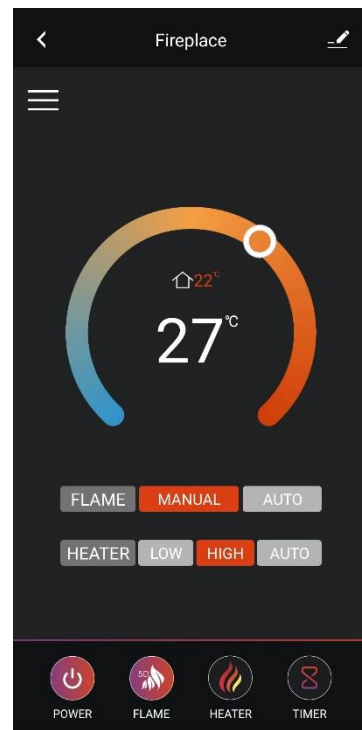
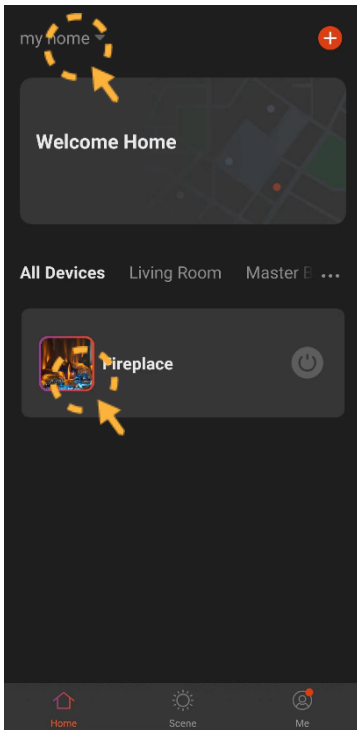
15. Once added. Fuel bed will turn green and stop flashing



## User Instructions - APP Control *Continued*.....

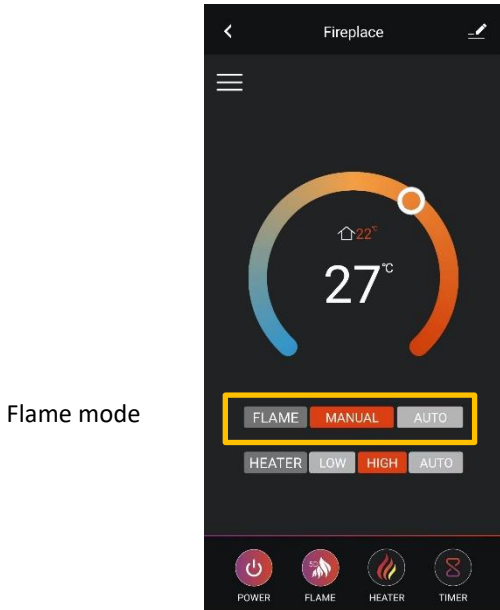
### Add a device - continued

16. Click the name of fireplace to enter the home screen

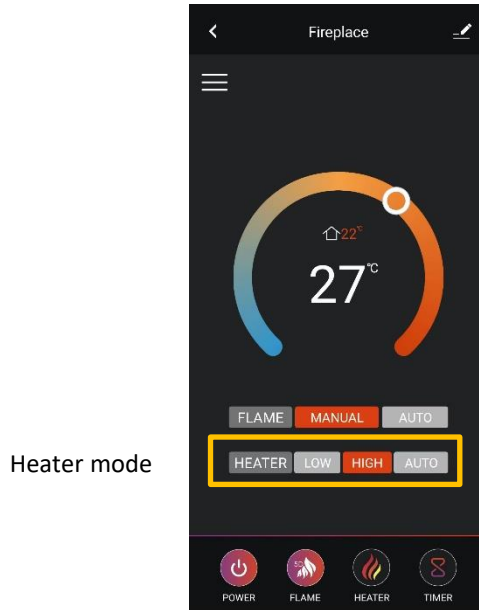


## User Instructions - APP Control *Continued*....

### Using the APP - Home Screen



Flame mode

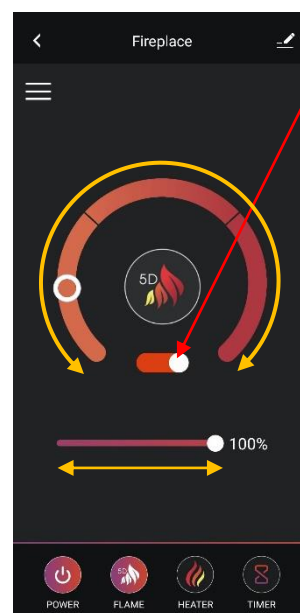
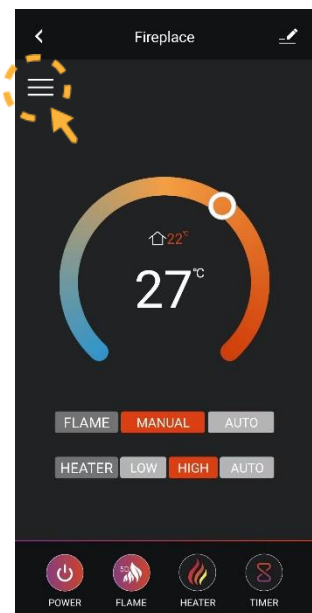


Heater mode

**NOTE:** The AUTO mode will only work when you set the daily / weekly timer for the flame effect or heater.

### Using the APP - Changing the Flame Effect Colour

Use the slide bar to turn off / on the lights



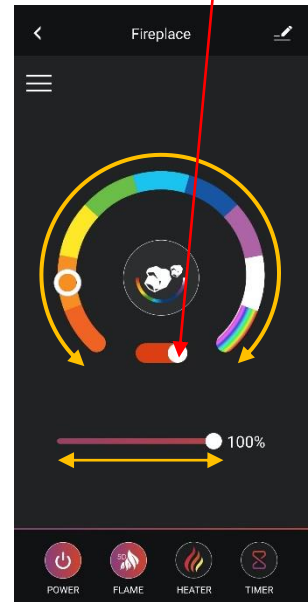
**NOTE:** The slider under the flame effect colour options controls the brightness from 0% (off) to 100%.

## User Instructions - APP Control *Continued*....

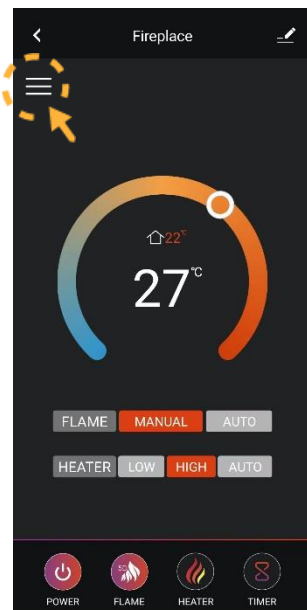
### Using the APP - Changing the Fuel Bed Colour



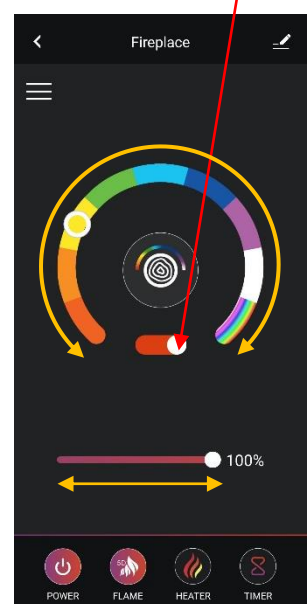
Use the slide bar to turn off / on the lights



### Using the APP - Changing the Downlight Colour



Use the slide bar to turn off / on the lights



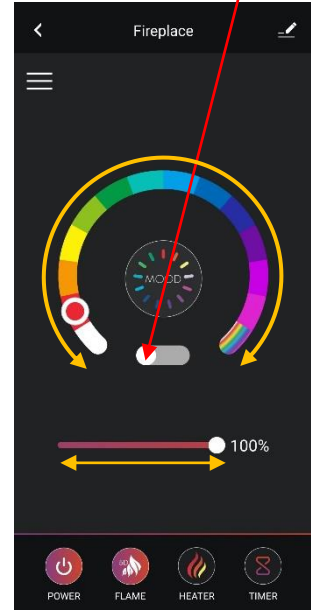
**NOTE:** The slider under the colour options controls the brightness of the lights from 0% (off) to 100%.

## User Instructions - APP Control *Continued*.....

### Using the APP - Changing the optional mood light Colour



Use the slide bar to turn off / on the lights

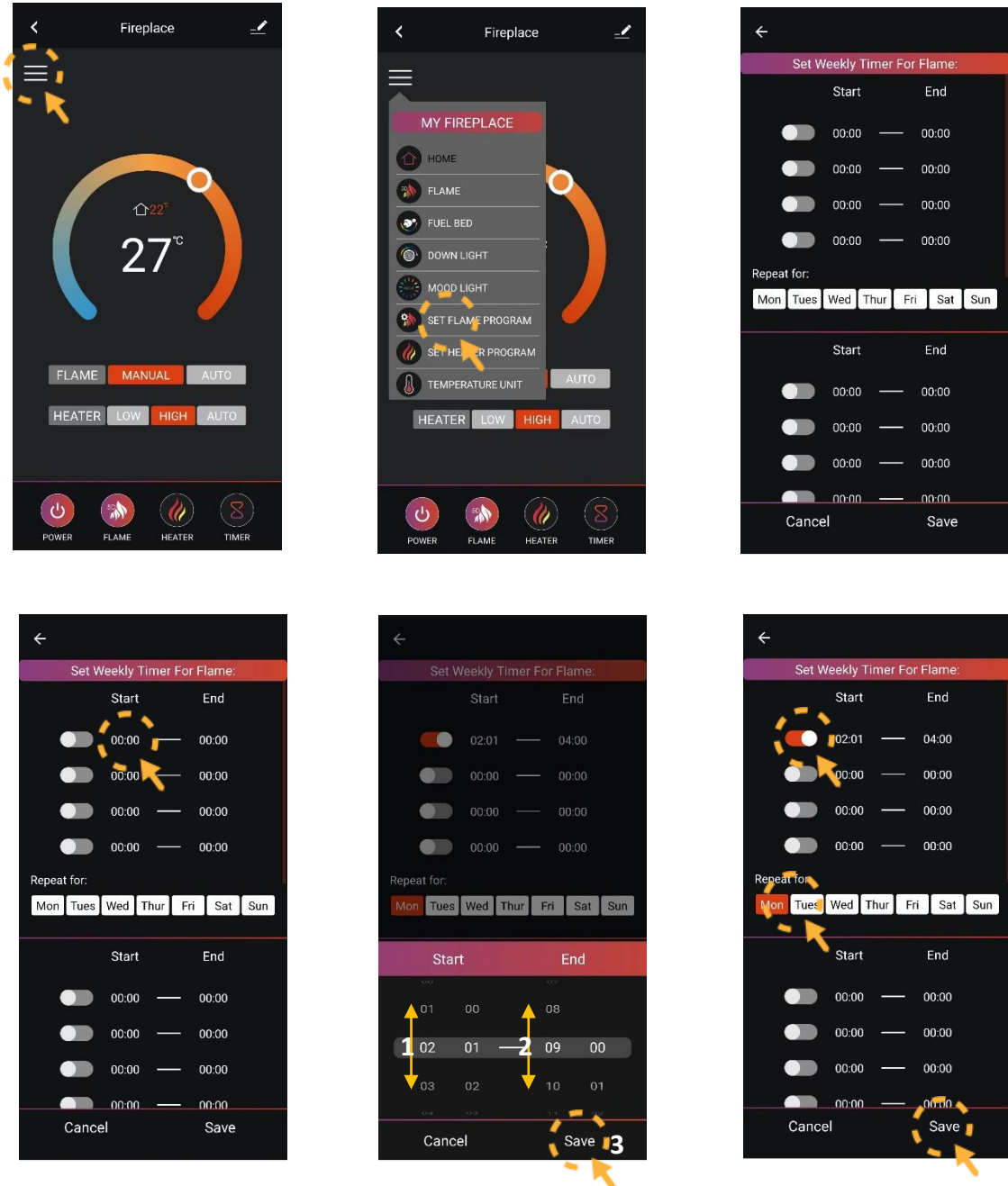


**NOTE:** The slider under the colour options controls the brightness of the lights from 0% (off) to 100%.



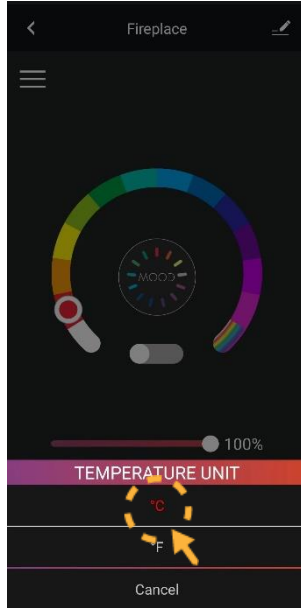
## User Instructions - APP Control *Continued*....

Using the APP - Setting a flame effect program. Up to 4 time periods per day with 4 different weekly schedules can be programmed

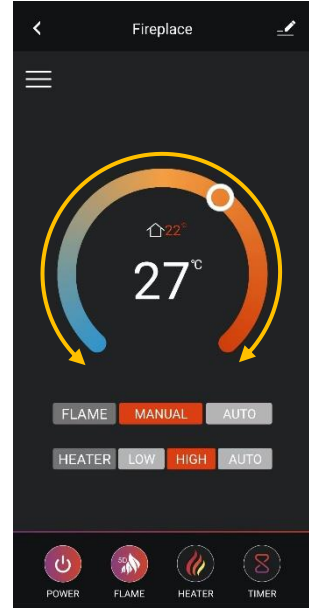


## User Instructions - APP Control *Continued*....

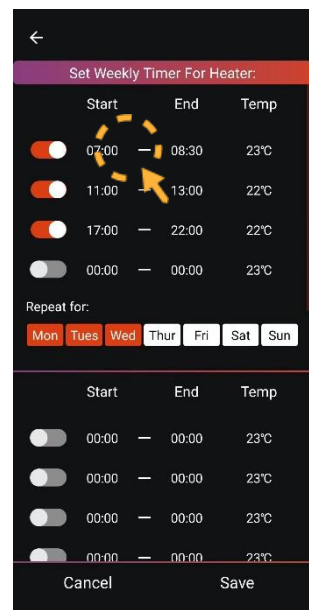
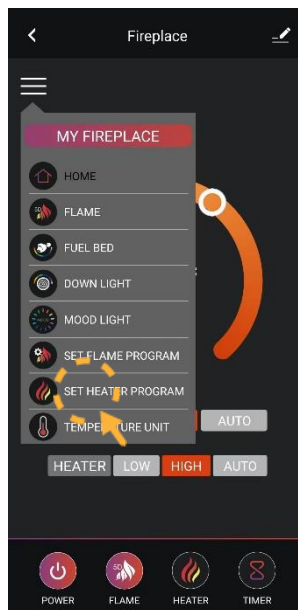
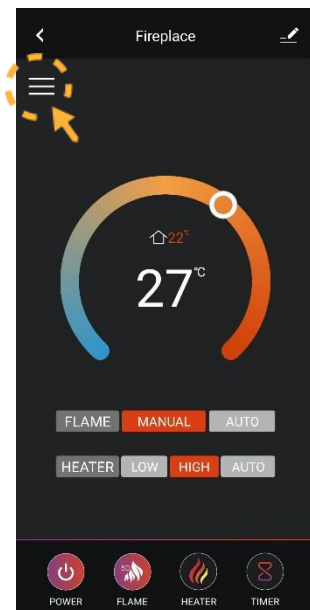
### Using the APP – Setting temperature unit



### Manually changing the temperature

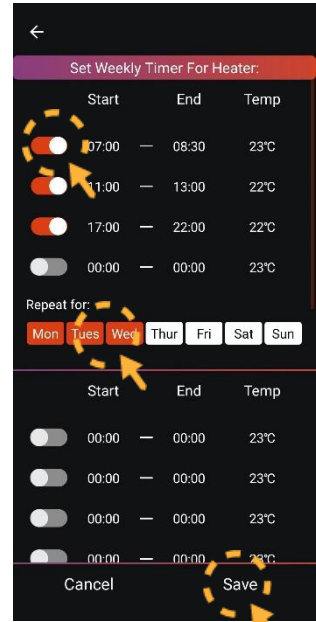
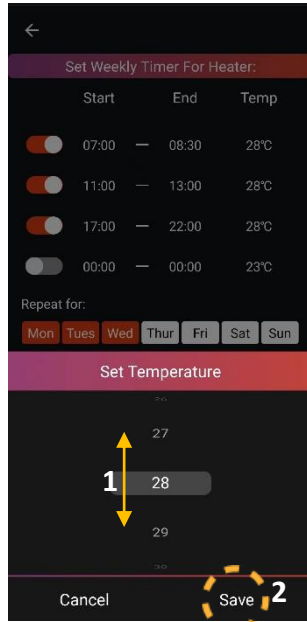
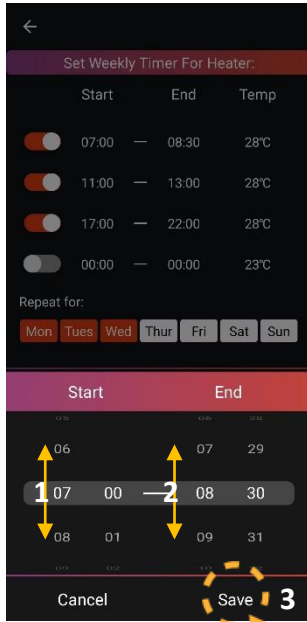


### Using the APP – Setting a heating program. Up to 4 time periods per day with 4 different weekly schedules can be programmed

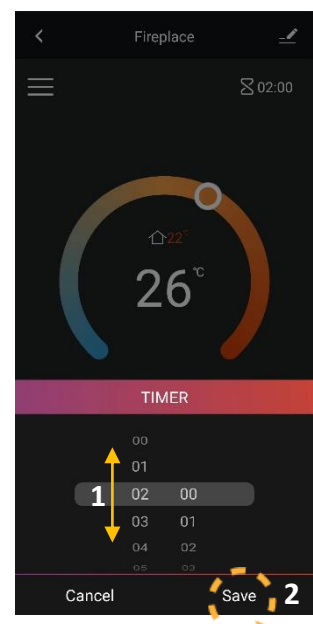
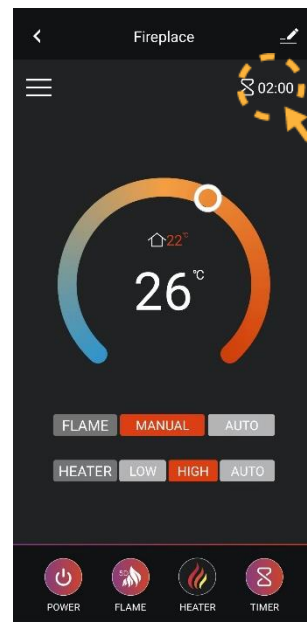


## User Instructions - APP Control *Continued*....

### Using the APP - Setting a heating program continued




### Using the APP – Setting the timer



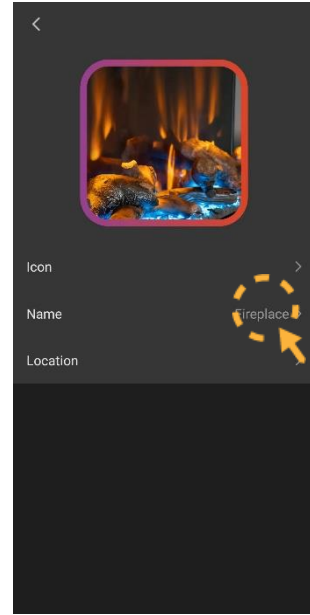
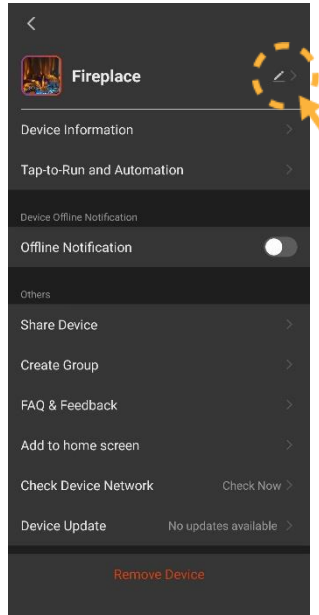
## User Instructions - APP Control *Continued*....

### Using the APP - Renaming your device

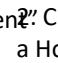
1. Click the 

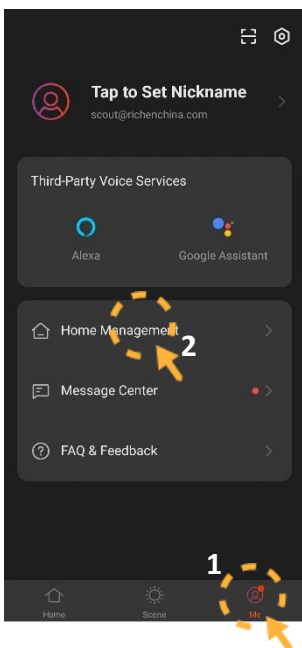


2. Click the  you can create a new name for your device

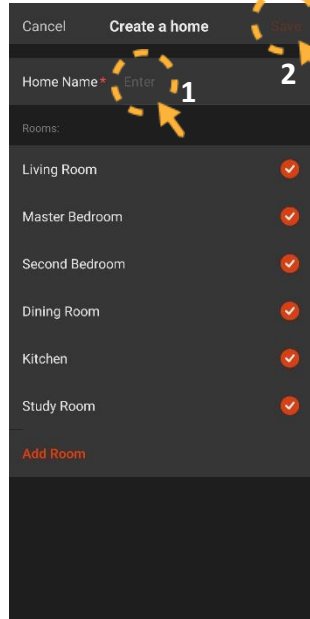
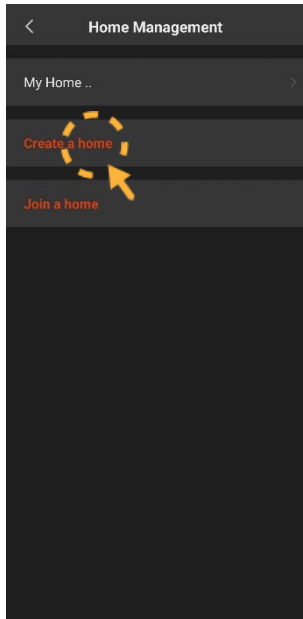


### Using the APP – Creating a “Home”

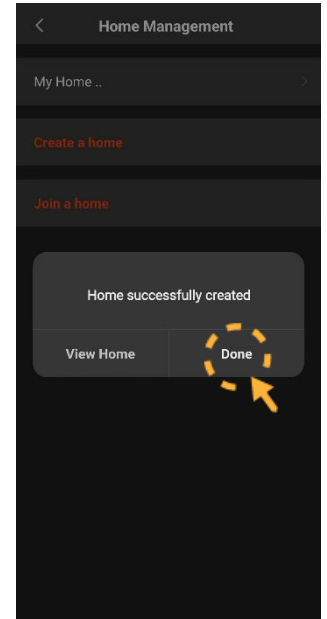
1. Click the “Home Management”  Click “Create a Home”



3. Enter a home name, select the home location and room(s), then click "Save"



4. Click “Done”

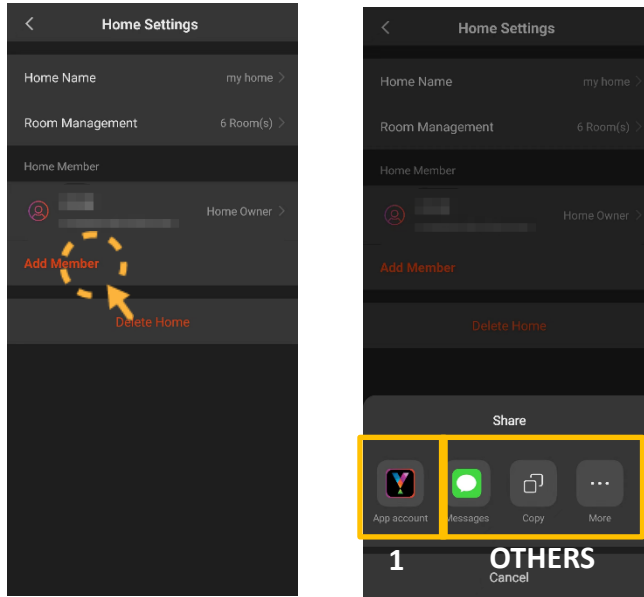


## User Instructions - APP Control *Continued*.....

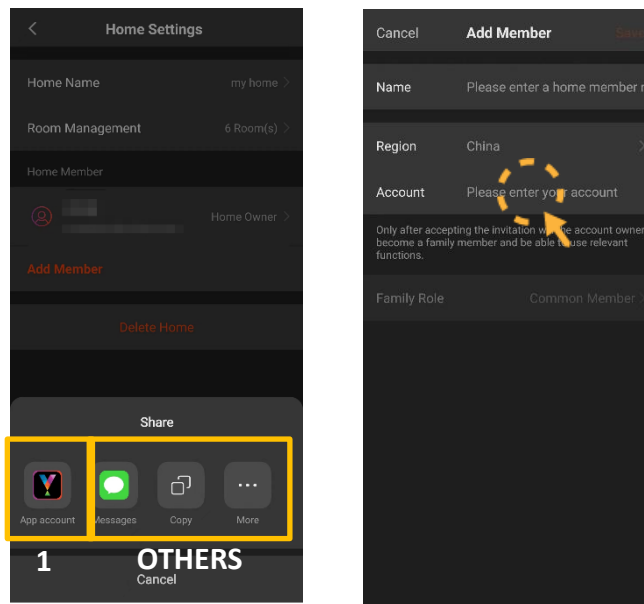
### Using the APP – Adding a Member

**NOTE:** Download the APP for the new member first.

1. Select "Me" → "Home Management" → "Name of Home" → "Home Settings". Select "Add Member".



2. Select 1: "APP account".

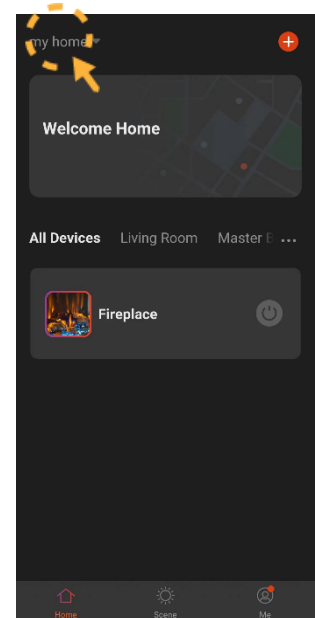
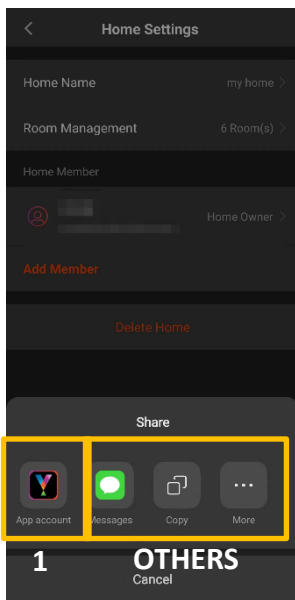


**NOTE:** This is to be completed on the new members account not your own

## User Instructions - APP Control *Continued*.....


### Using the APP – Adding a Member continued

1. Select "Others" to get invitation code. Then go to "Me > Home Management > Join Home" and enter the code. Select the Home and ready for operate the appliance.



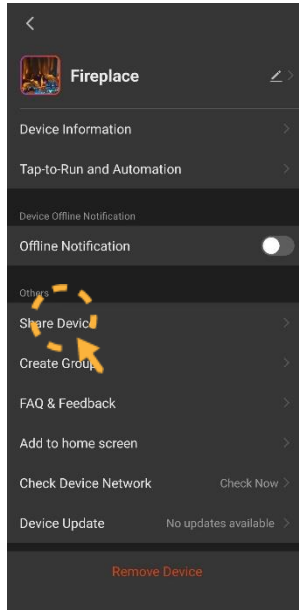
# User Instructions - APP Control

## Using the APP – Share Device

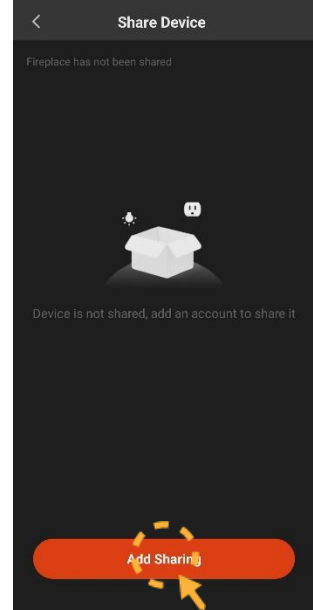
1. Click the 



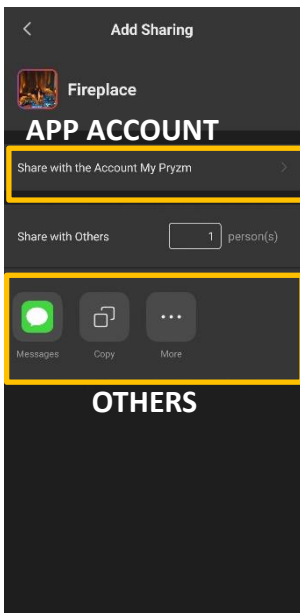
2. Click "Share Device"



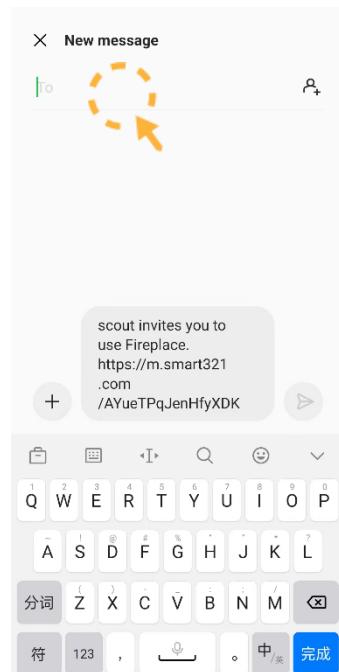
3. Click "Add Sharing"



4. Select APP account or Others



5. Receive the message





## Maintenance

**WARNING:** Before any maintenance or whilst cleaning the exterior of the fireplace, the unit should be disconnected from the power supply until it has cooled down.

### Remote Handset Battery Replacement

When the batteries are at full power, the battery symbol will show



When the batteries are half full, the battery symbol will show



When the batteries are out of power and need replacing immediately, the battery symbol will show



Battery replacement is recommended after 1 year. The batteries are 1.5V alkaline AAA, batteries.

Dispose of old batteries at an appropriate recycling facility.

### Cleaning the Fire

Cleaning or polishing products are not recommended.

Fingerprints or other marks on the front glass panel can be removed by a piece of soft, damp, lint-free cloth with a good quality household glass cleaner. The front glass panel should always be completely dried with a clean, lint-free cloth or paper towel.

**CAUTION:** Abrasive cleaners should not be used on the glass panel. Liquids should not be sprayed directly onto any surface of the unit.

## Troubleshooting

Problem	Solution
The fire is not switching on	Ensure the mains switch is on. Replace the fuse in the plug
The fire is not emitting heat	Check the handset temperature is set higher than the room temperature
The fire Shuts off after a period of time	The room has reached the set temperature. Has the daily timer been set.
Handset display fading	Check / change batteries in the remote
Mood lighting is not coming on	Make sure the connection has been enabled. Press mood light button on remote followed by the “+” button
APP not operating fire	Ensure the fire and mobile are connected to same Wi-Fi

Should you be experiencing any problems with your fire please call Customer Services on 01914300901 or email us at [customerservices@bemodern.co.uk](mailto:customerservices@bemodern.co.uk)

## General Information

### Environment



Meaning of crossed –out wheeled dustbin:

Electrical appliances should not be disposed as unsorted municipal waste. Separate collection facilities should be used in the disposal of electrical appliances. Contact your local government for the information about the available collection systems. If electrical appliances are disposed of in landfills or dumps, hazardous substances can leak into the groundwater and get into the food chain, damaging your health and well-being. When old appliances are replaced by the new ones, it is a legal obligation for the retailer to take back the old appliance for disposals at least free of charge.



This fire complies with the Safety Standards EN 60335-1 and EN 60335-2-30 which covers the essential requirements of the Low Voltage Directive 2014/35/EU and the EMC standards EN 55014-1; EN 55014-2; EN 61000-3-2 and EN 61000-3-3 which covers the essential requirements of the European Electro Magnetic Compatibility 2014/30/EU, and the RED standards EN300220-2, EN301489-1, EN301489-3 and EN6247 which covers the essential requirements of the European Radio Equipment Directive 2014/53/EU.



This fire complies with the Safety Standards BS 60335-1 and BS 60335-2-30 which covers the essential requirements of the Electrical Equipment (Safety) Regulations 2016 and the EMC standards BS 55014-1; BS 55014-2; BS 61000-3-2 and BS 61000-3-3 which covers the essential requirements of the Electro Magnetic Compatibility Regulations 2016, and the RED standards BS 300220-2, BS 301489-1, BS 301489-3 and BS 6247 which covers the essential requirements of the Radio Equipment Regulations 2017.



RoHS stands for Restriction of Hazardous Substances, and impacts the entire electronics industry and many electrical products as well. The Restrictions of the Use of Certain Hazardous Substances in Electrical and Electronic Equipment Regulations 2012, originated in the European Union in 2002 and restricts the use of six hazardous materials found in electrical and electronic products. All applicable products in the EU and UK market since July 1, 2006 must pass RoHS compliance.

Control PCB	Remote Control Receiver	Remote Control Transmitter
<p>Hardware: RC01-043A01 V0 Software: V0</p>	<p>Hardware: RF290B V1.2</p>	<p>Frequency: ASK/OOK 433.92MHZ Maximum transmit power: 10mW Hardware:RF290A-TX-V1.3 Software: RF290A_C_V0.6.0.hex</p>

---

## Electric Fire Guarantee

---

Our A R T E O N - Pryzm Electric Fire comes with a **1 Year** warranty as standard, providing you with reassurance and peace of mind. **This covers parts and labour.**

**2 years** extended warranty is obtained by registering your product free, within 28 days of purchase at:  
<https://www.elginandhall.co.uk/advice/warranties/>

After registration you will receive cover for **parts only** in **year 2 & 3.**

**Note:** Registration is not required for the standard 1 year warranty. If you do not have access to the internet you may register your product via the below contact telephone number.

For further information on the individual terms of your product warranty, please contact our Customer Service team: on 0191 430 0901 or [customerservices@bemodern.co.uk](mailto:customerservices@bemodern.co.uk)

### 1. The Guarantee applies to:

- a. All products in the ranges manufactured by the 'Company' (but subject to the exceptions below):  
where:
- b. The product has been purchased and installed within the UK and in respect of
- c. The initial installation: and in favor of
- d. The original purchaser

### 2. Proof of Purchase must be retained by the Purchaser

### 3. The Guarantee does not apply to:

- a. Damage or inferior workmanship practices whilst the 'Product' is being installed
- b. Damage caused by mis-use of the 'Product' or where normal standards of care and use have not been complied with.
- c. Damage through a malfunction or an inadequately installed electric fire.
- d. Damage or defects due to mis-use, accident or unauthorised alterations.

### 4. During the guarantee period after the 'Product' has been supplied, the Guarantee covers the making good (whether by repair or replacement at the Company's option) of defects arising from defective manufacture of materials of "Product" covered in Para 1 all at no cost to the purchaser on the provision:

- a. The Product has been installed as per Be Modern recommendations. The Purchaser uninstalls the Product and makes it available for collection  
by Be Modern.

### This Guarantee does not affect your statutory rights

On requiring service the purchaser should contact the retailer who supplied your product who will assist and advise you as necessary.

**Be Modern Ltd.**  
19-34 Bedesway  
Bede Industrial Estate  
Jarrow  
Tyne and Wear  
NE32 3BE  
Tel: (0191) 430 0901  
Fax: (0191) 430 9522  
[Website: Bemodern](http://www.bemodern.co.uk)