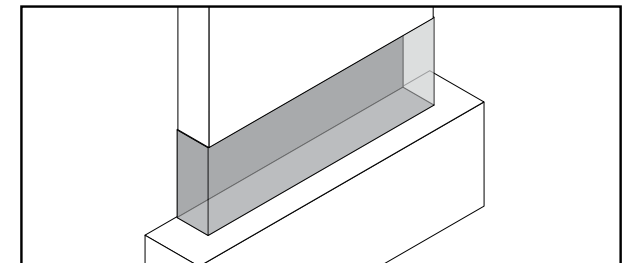
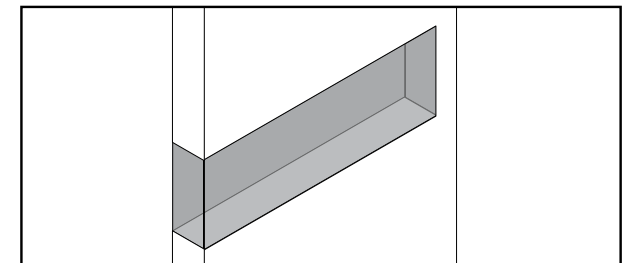
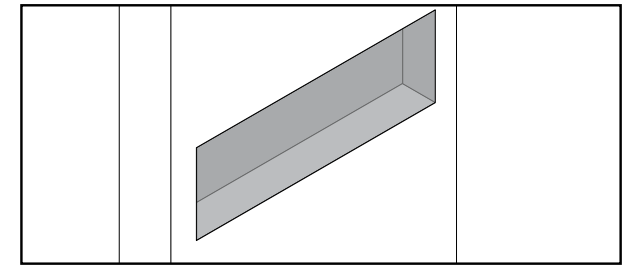
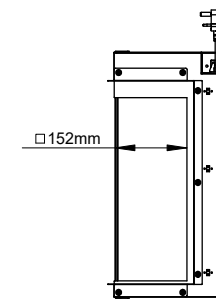
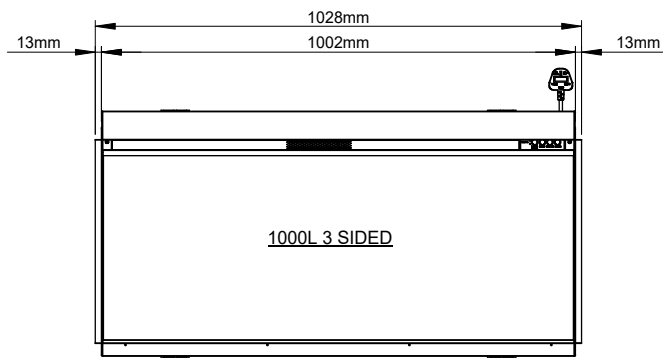
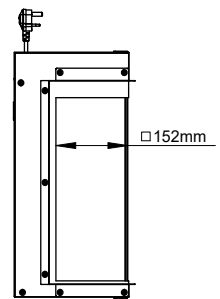
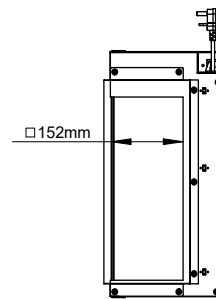
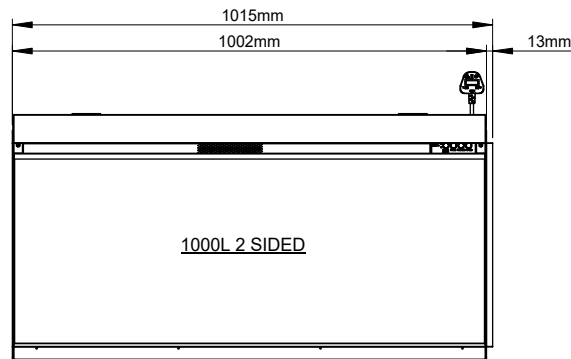
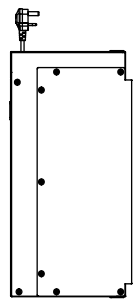
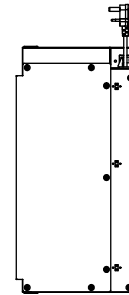
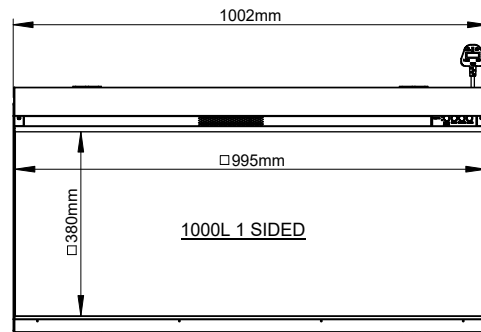
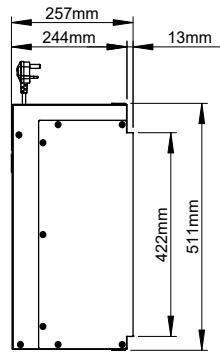


ART E O N 1000 3SL

TECHNICAL - LINE DRAWING



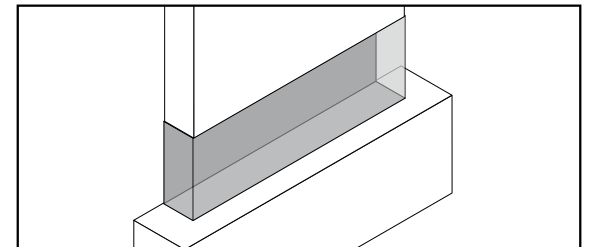
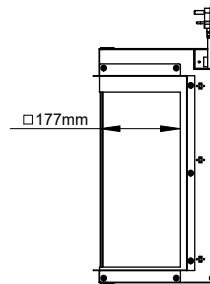
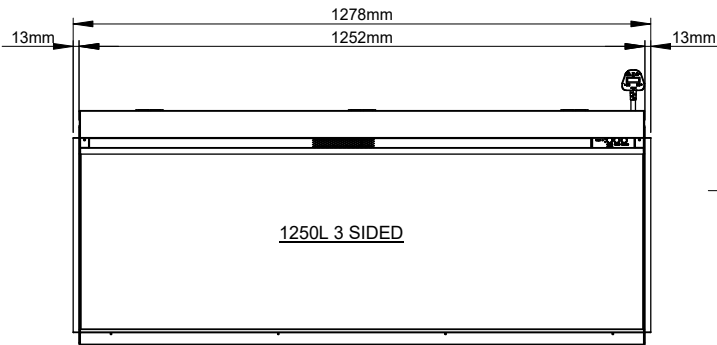
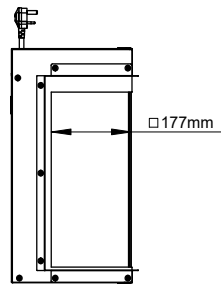
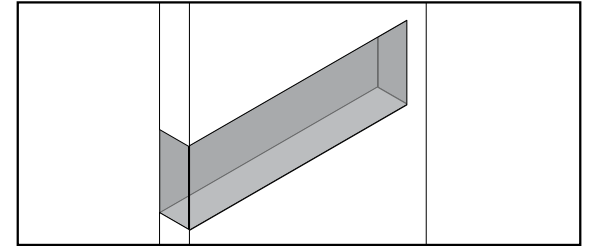
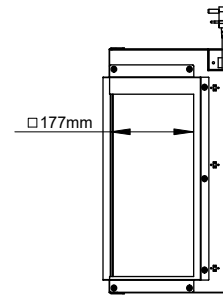
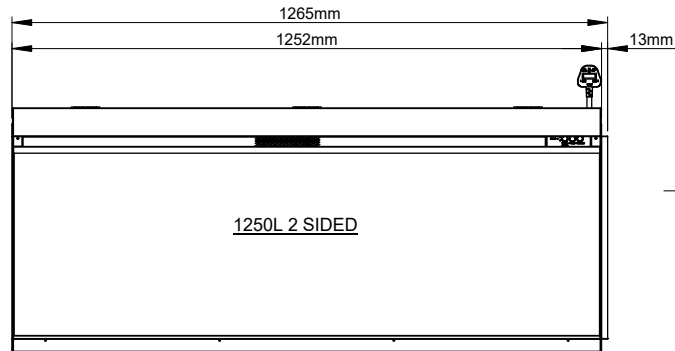
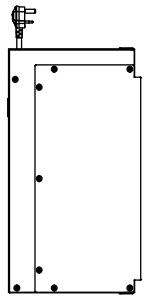
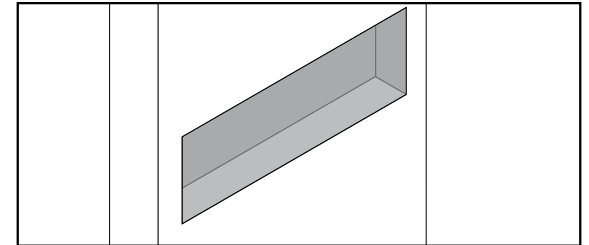
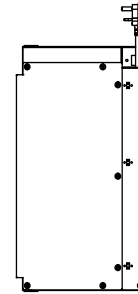
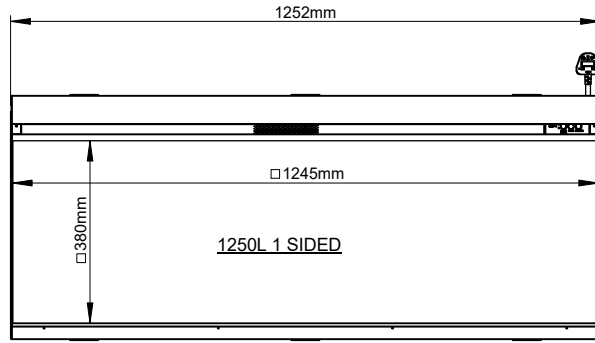
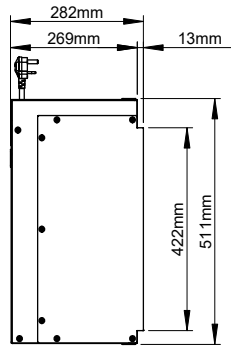
VISIBLE
VIEWING AREA
MIN 10mm REAR &
TOP CLEARANCE
REQUIRED

MIN REBATE
255mm



ART E O N 1250 3SL

TECHNICAL - LINE DRAWING



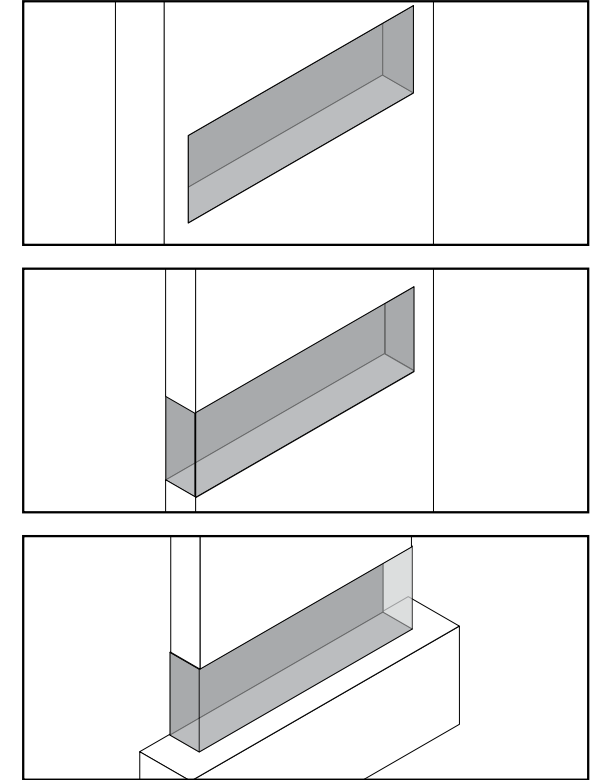
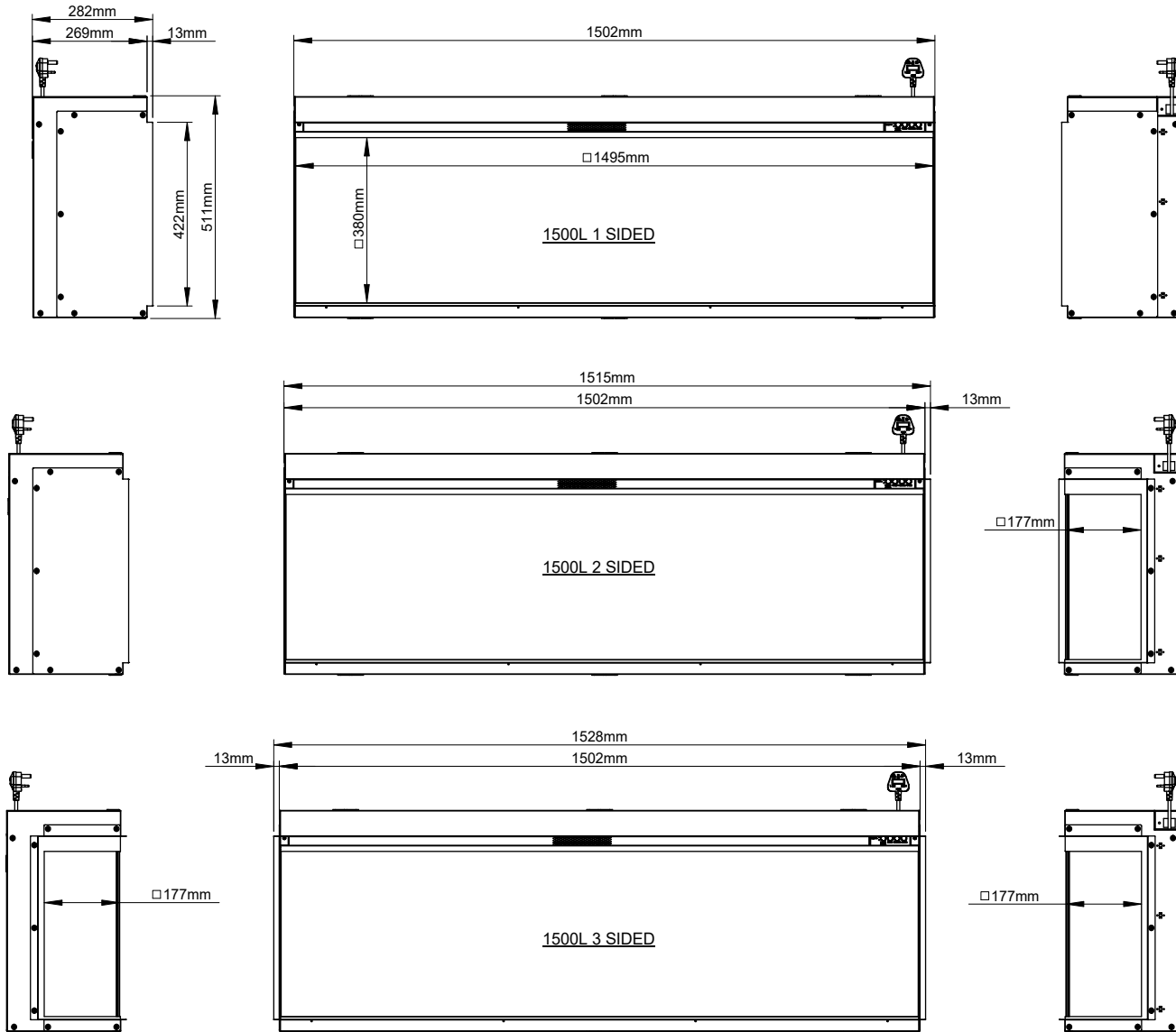
VISIBLE
VIEWING AREA
MIN 10mm REAR &
TOP CLEARANCE
REQUIRED

MIN REBATE
280mm



ART E O N 1500 3SL

TECHNICAL - LINE DRAWING



VISIBLE
VIEWING AREA
MIN 10mm REAR &
TOP CLEARANCE
REQUIRED

MIN REBATE
280mm

