



## **Vardo & Huxton Timber Suites**

### **Pryzm 750 & 1000**



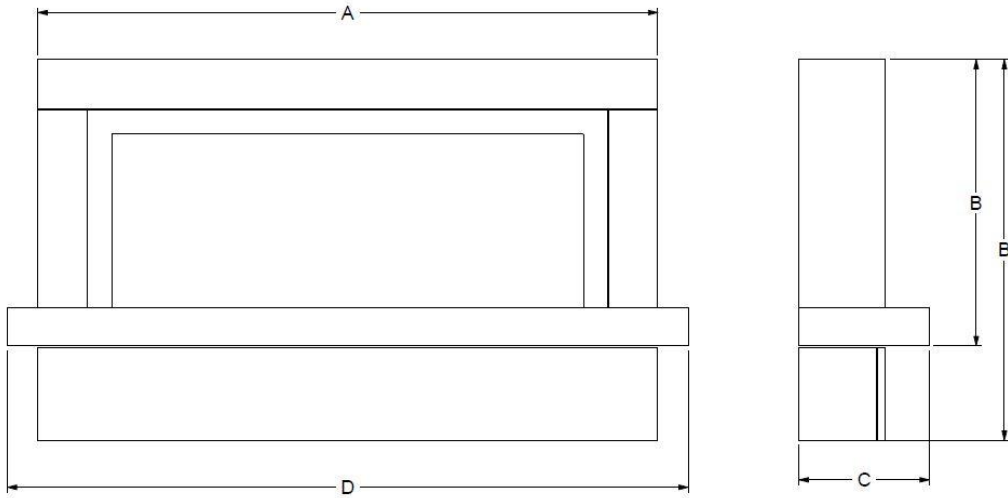
## **Instructions for installation and use**

Patent pending  
UK Registered Design

## Contents

Tech Specs	3
What's in the Box	4
Installation – Timber	5-7
Maintenance	7

## Technical Specification



Fire/Surround	Description	Logs	Dimensions			
			A	B	C	D
57" VARD0 PRYZM 5D 1000	<b>Timber</b> Wall mounted & floor standing: with optional plinth	4 LRG	1320mm	810 / 609 mm	277mm	1450mm
53" VARD0 PRYZM 5D 750		4 SML	1220mm	810 / 609 mm	277mm	1350mm
47" VARD0 PRYZM 5D 750		4 SML	1070mm	810 / 609 mm	277mm	1200mm
51" HUXTON PRYZM 5D 1000	<b>Timber</b> Wall mounted	4 LRG	1154mm	588mm	277mm	1284mm
41" HUXTON PRYZM 5D 750		4 SML	904mm	588mm	277mm	1034mm

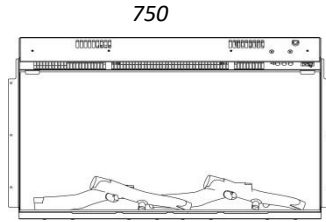
Fire	Visible Flame Area (mm)
PRYZM 5D 1000	W998 X H340
PRYZM 5D 750	W748 x H340

## What's in the box(s)

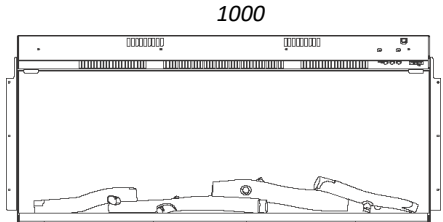
Installation Booklet x2



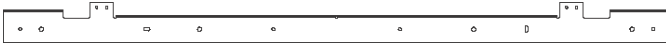
Pre-installed Fire



or



**Wall Bracket** – Suite support bracket (x1)  
*Attached to the back of the fire*

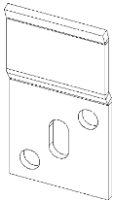


**Logs**

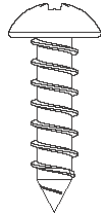
4 Logs Located under the surround or  
in the leg of surround (dependent on  
model)



Mantle Hooks (x2)



Screws (x2)



Timber only

Batteries (x2)

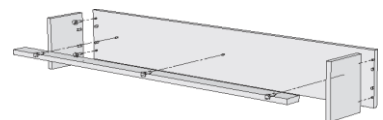


Remote control

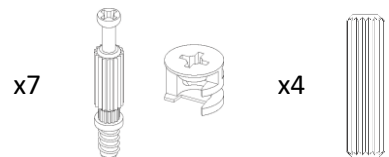


**Where applicable**

Timber Plinth supplied separately



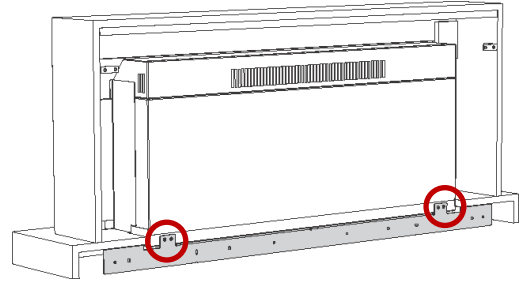
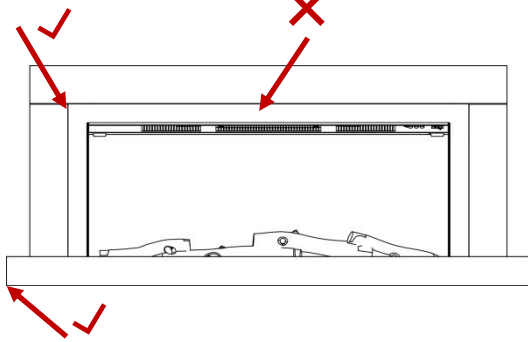
Cams, Pins and Dowels



## Installation - Timber

This is a 2 adult person lift.

Do not attempt to lift from the centre of the top panel, lift from under the hearth and underside of the trim as shown below.



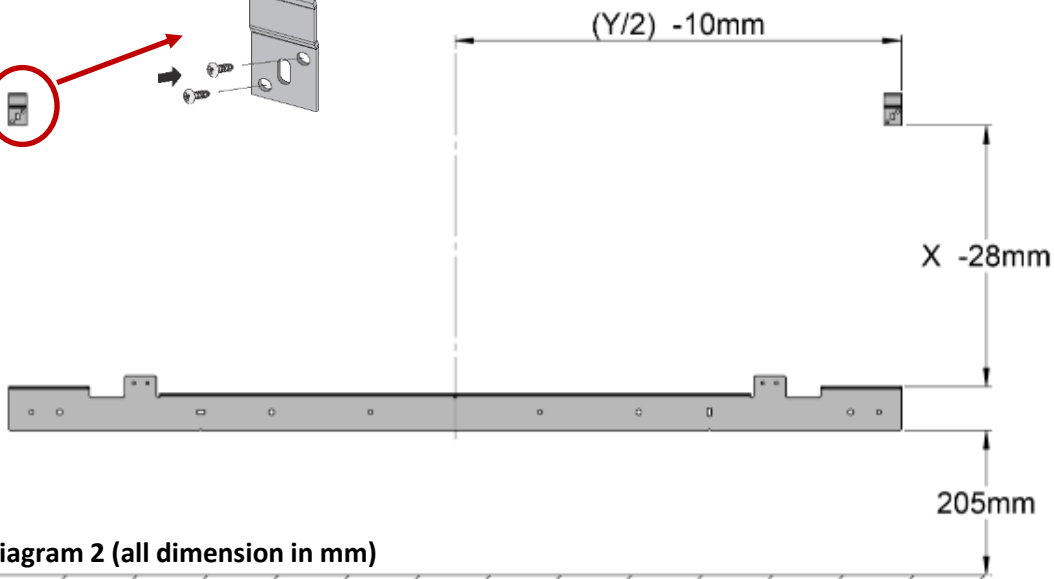
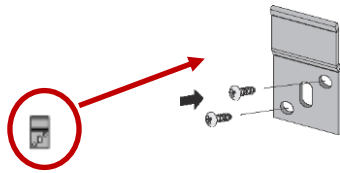
**Diagram 1**

### 1. Remove Rear Bracket

Unpack your new suite and remove the rear wall mount bracket which has been screwed to the rear of the fire for transit. See **Diagram 1**.

**Note: Please discard the screws**

### 2. Fit Wall Brackets



**Diagram 2 (all dimension in mm)**

**REQUIRED  
FOR FLOOR-  
STANDING  
VARDO ONLY**

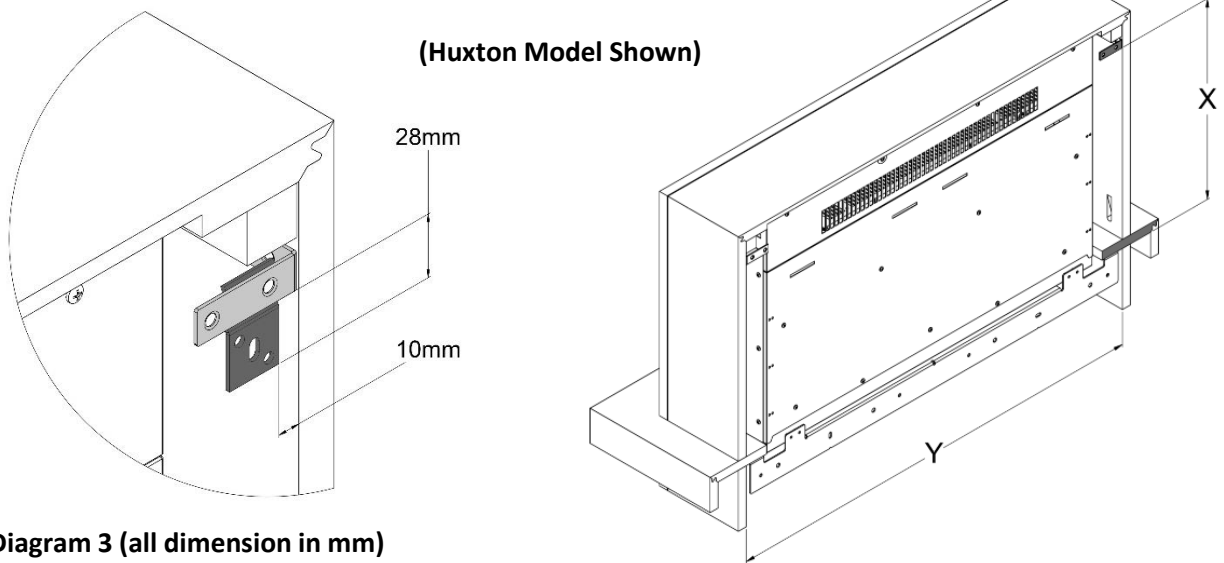
The first step to installation will be the fitment of the wall mount bracket in the desired position in the room. Dependant on the model purchased, decide whether the suite will be floor standing with the optional plinth (Vardo suites Only) or wall mounted.

If the suite is planned to be floor standing (with the plinth positioned below the suite) the wall mount bracket must be positioned **205mm** from the floor as indicated in **Diagram 2**. Alternatively if the suite is planned to be positioned as a wall mounted model the wall mount bracket may be positioned at the desired height on the wall.

Using a spirit level mark a line equal to the length of the wall mount bracket at either **205mm** (for floor standing) or the desired base position of the wall mounted suite. Position the wall mount bracket level on the line and mark the appropriate screw fixing points.

We advise a minimum of **6-off fixings** must be used (see 'Important Note' on page 7). Screw the wall mount bracket securely to the wall using the marked positions, with the correct fixing for your wall material.

## Installation – Timber *continued*



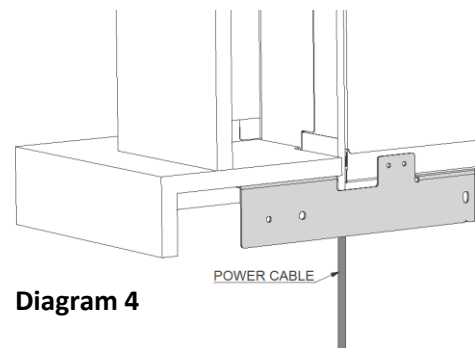
**Diagram 3** (all dimension in mm)

**Note: Mantel hooks must be fitted for both floor standing and wall mounted models.**

1. Measure from the underside of the hearth to the bottom of the L- bracket fitted on either side of the fire surround and make a note of this dimension. **X** detailed on **Diagram 3**.
2. Measure the internal distance between the surround body and make a note of this dimension. **Y** detailed on **Diagram 3**.
3. Working from the centre of the wall bracket- Mark the fixing position of the mantel hooks. **X - 28mm** and **(Y ÷ 2) -10mm**, at either side of the brackets. **See Diagram 2**.
4. Finally fix the mantel hooks securely in position as indicated in **Diagram 2** with the correct fixings for your wall material (fixings not supplied). **See 'Important Note' on page 7**.

### 3. Hang the fire

Carefully lift the suite and position the pre installed angle brackets, over the mantel hook brackets. **See Diagram 3**. Then lower the suite down to rest on the wall mount bracket. Great care must be taken to route the fire power cable correctly as indicated in **Diagram 4**, confirming the cable is not crushed or damaged on installation. The suite should now be correctly positioned.



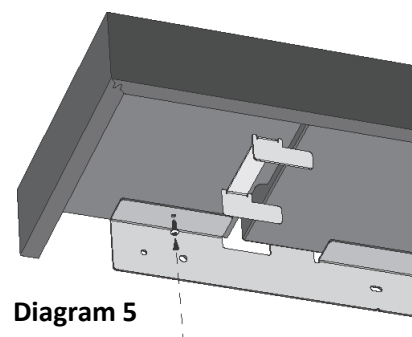
**Diagram 4**

### 4. Secure the fire

To secure the suite to the wall mount bracket fix with the provided screws through the base of the wall mount bracket up into the suite (**see Diagram 5**). This will lock the suite in position.

This completes the wall mounted installation option.

For dressing the logs and fire operation, please refer to the separate fire instructions.

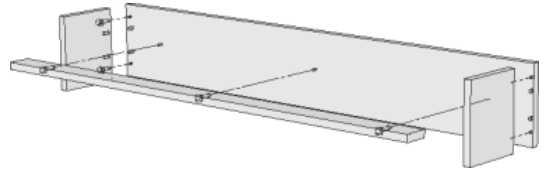


**Diagram 5**

## Installation – Timber *continued*

### 5. Assemble the plinth

For the floor standing suite installation. The base plinth will need to be unpacked and assembled. The base plinth comprises of four main parts which should be built up and fixed together with the provided 7-off cam fixings and 4-off dowels (see **Diagram 6**). Once assembled the base plinth can be positioned centrally under the suite to complete the floor standing suite installation. Should you require a permanent fix use the mantle hooks and angle brackets provided.



**Diagram 6**

## Maintenance

**WARNING:** Before any maintenance or whilst cleaning the exterior of the fireplace, the unit should be disconnected from the power supply until it has cooled down.

### Cleaning the Fire

Cleaning or polishing products are not recommended. Fingerprints or other marks on the front glass panel can be removed by a piece of soft, damp, lint-free cloth with a good quality household glass cleaner. The front glass panel should always be completely dried with a clean, lint-free cloth or paper towel.

**CAUTION:** Abrasive cleaners should not be used on the glass panel. Liquids should not be sprayed directly onto any surface of the unit.

### Troubleshooting

Should you have any queries regarding this product please contact Customer Services on 0191 4300901 or email us at [customerservices@bemodern.co.uk](mailto:customerservices@bemodern.co.uk)

### Recycling

All cardboard packing is recyclable

#### **IMPORTANT NOTE:**

Wall fixings (i.e. screws/wall plugs etc.) are not supplied as these are crucially dependent upon the type of wall and surface the surround is going to be fixed too.

The installer is therefore responsible for ensuring that suitable fittings are used according to the particular model to be installed as well as individual fitting situations and environments. All mechanical fixings, for holding the suite in position, must be secured to a solid wall or structure.