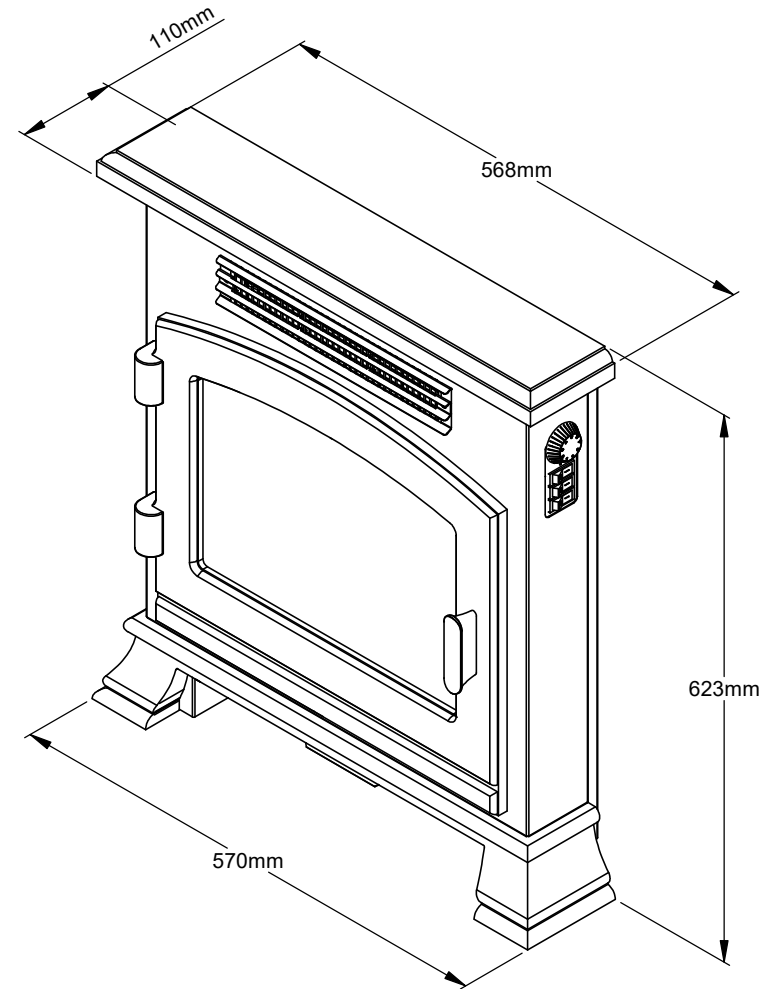
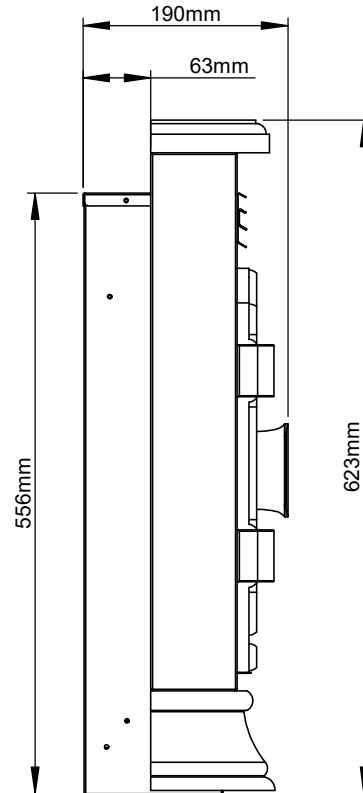
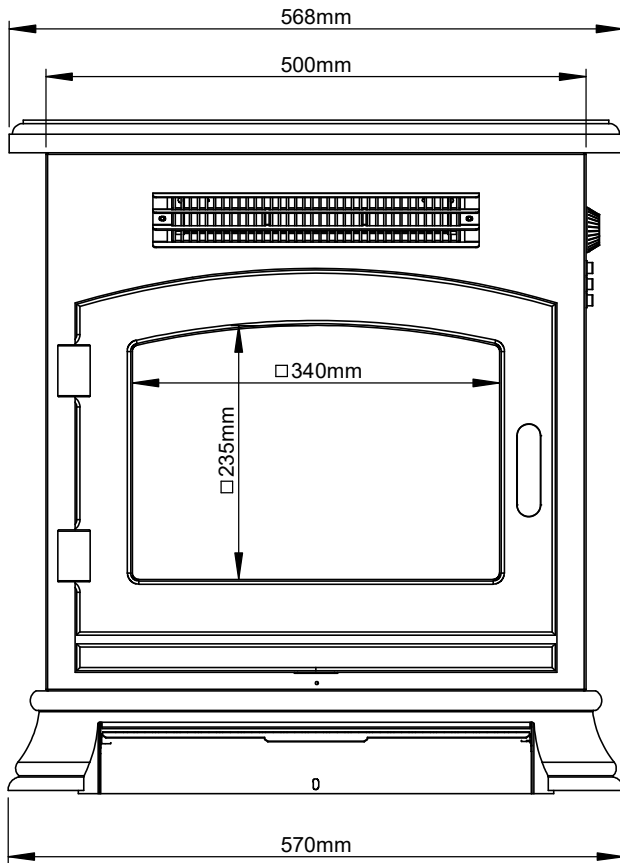


# 16" BANBURY

TECHNICAL - LINE DRAWING



□ VISIBLE VIEWING AREA  
MIN 75mm REBATE REQUIRED

FLARE  
collection

[WWW.BEMODERN.COM/FLARE-COLLECTION](http://WWW.BEMODERN.COM/FLARE-COLLECTION)