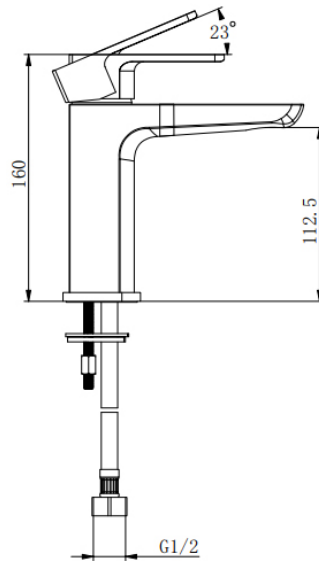




Diagrams not to scale.
All dimensions in mm tolerance of +/- 2mm



Unit Weight:	1.45Kg
Fitting:	M10 x 350mm G1/2" BSP
Water Pressure:	Min. 0.1 bar, Max. 6.0 bar

Specification:

- Suitable for all plumbing systems, Hot and Cold water pressure preferably balanced, Max. supply pressure differential requirement no greater than 5:1
- 5 years against manufacturing faults (excluding serviceable parts)
- Brass Body (CuZn40Pb2), EN CW617N (equivalent to BS CZ122); Zinc-alloy Handle
- Supplied with G1/4" sprung waste

Finish



Matt Black

