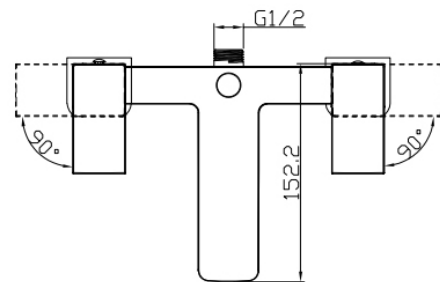
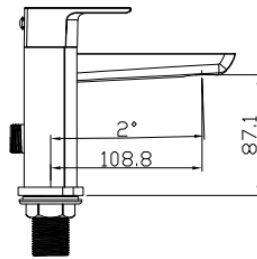
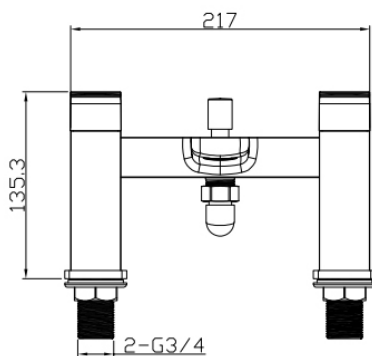




Diagrams not to scale.
All dimensions in mm tolerance of +/- 2mm

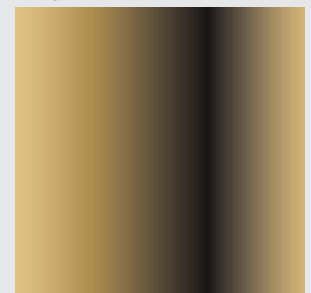


Unit Weight:	3.3Kg
Fitting:	Brass G $\frac{3}{8}$ /4" BSP tails
Water Pressure:	Min. 0.5 bar, Max. 6.0 bar

Specification:

- Suitable for all plumbing systems, Hot and Cold water pressure preferably balanced, Max. supply pressure differential requirement no greater than 5:1
- 5 years against manufacturing faults (excluding serviceable parts)
- Brass Body
- 1.5m PVC Shower Hose

Finish



Brushed Brass