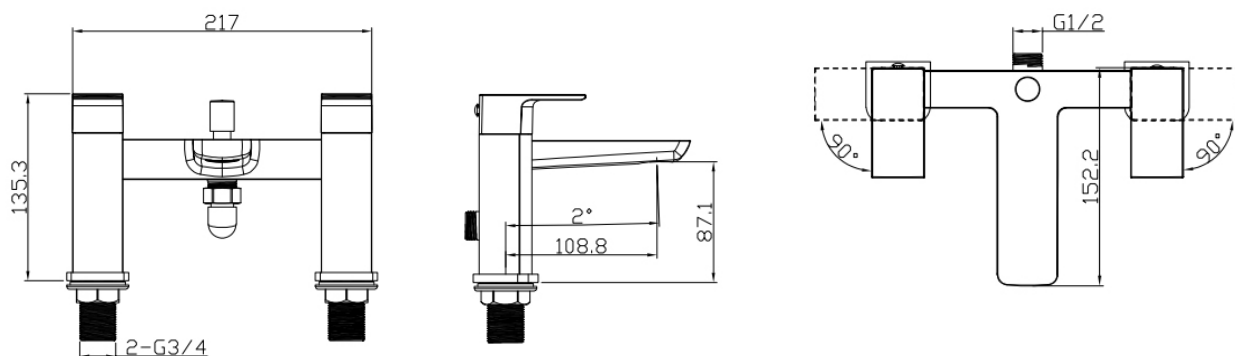




Diagrams not to scale.  
All dimensions in mm tolerance of +/- 2mm

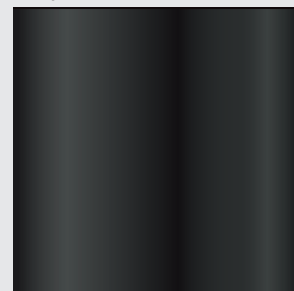


Unit Weight:	3.13Kg
Fitting:	Brass G3/4" BSP tails
Water Pressure:	Min. 0.5 bar, Max. 6.0 bar

Specification:

- Suitable for all plumbing systems, Hot and Cold water pressure preferably balanced, Max. supply pressure differential requirement no greater than 5:1
- 5 years against manufacturing faults (excluding serviceable parts)
- Brass Body
- Supplied with Matt Black smooth PVC 1.5m hose, single mode ABS handset and wall mounted ABS holder

Finish



Matt Black

