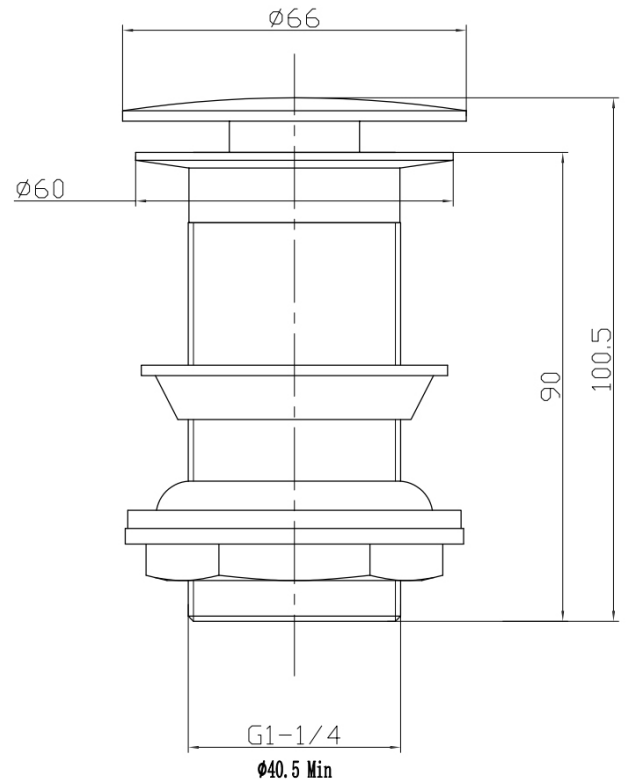




Diagrams not to scale.
All dimensions in mm tolerance of +/- 2mm

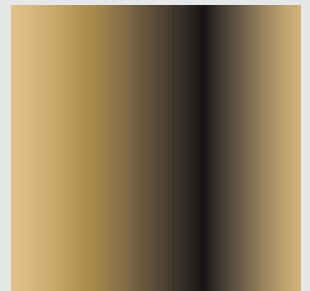


Unit Weight:	0.235Kg
Fitting:	G1-1/4" BSP Male Thread (Outside Diameter 40.5+/-0.25mm)

Specification:

- Suitable for all plumbing systems
- 1 years against manufacturing faults (excluding serviceable parts)
- Construction: SS202 Stainless steel Body; SS304 Stainless steel Cover; Brass clic-clac Spring

Finish



Brushed Brass