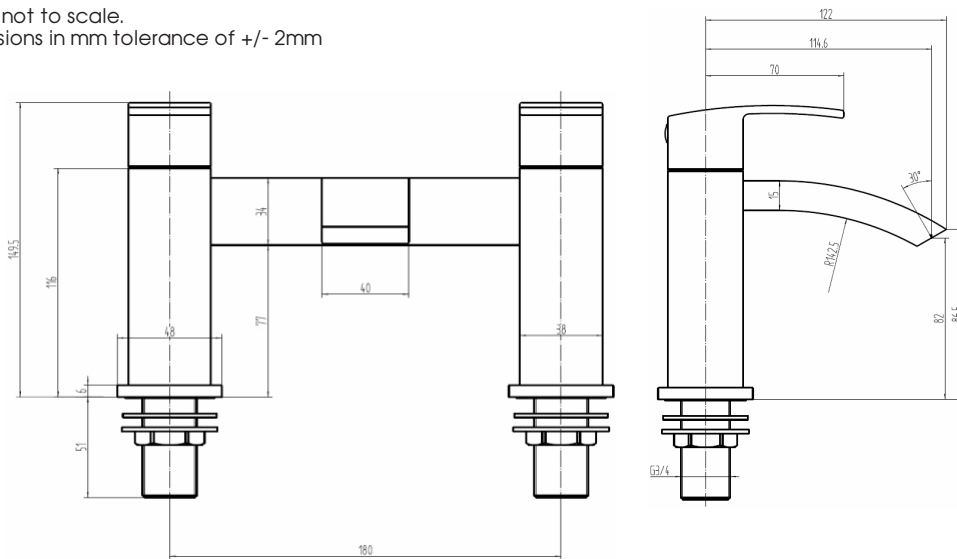




Diagrams not to scale.
All dimensions in mm tolerance of +/- 2mm

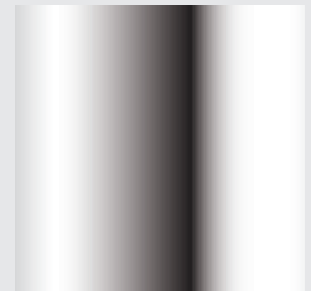


| | |
|-----------------|----------------------------|
| Unit Weight: | 2.75Kg |
| Fitting: | Brass G3/4" BSP tails |
| Water Pressure: | Min. 0.5 bar, Max. 6.0 bar |

Specification:

- Suitable for all plumbing systems, Hot and Cold water pressure preferably balanced, Max. supply pressure differential requirement no greater than 5:1
- 10 years against manufacturing faults (excluding serviceable parts)
- Brass Body (CuZn40Pb2), EN CW617N (equivalent to BS CZ122); Zinc-alloy Handles; Brass Base plates

Finish



Chrome