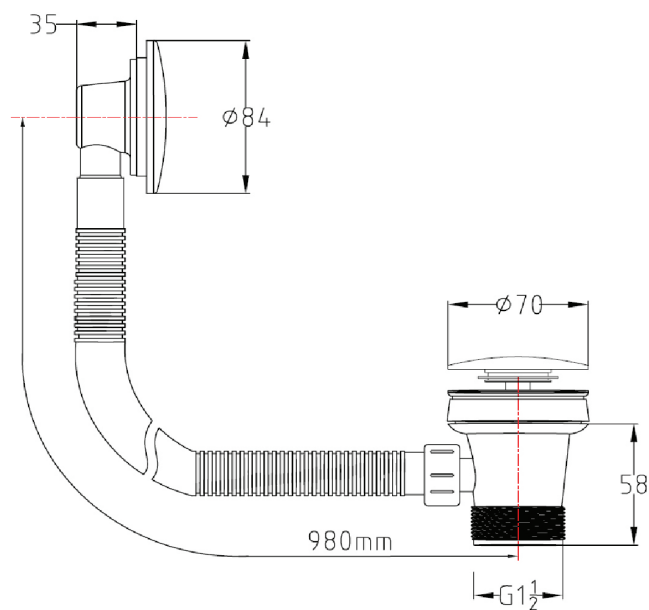




Diagrams not to scale.
All dimensions in mm tolerance of +/- 2mm

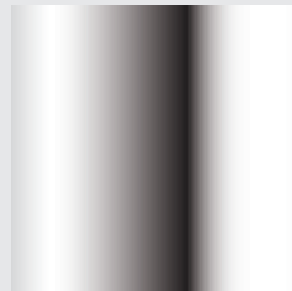


Unit Weight:	0.66Kg
Fitting:	G1-1/2" BSP

Specification:

- Suitable for all plumbing systems
- 1 year warranty against manufacturing faults (excluding serviceable parts)
- Construction: Brass, Stainless steel, Polypropylene & ABS
- Push fitting

Finish



Chrome

