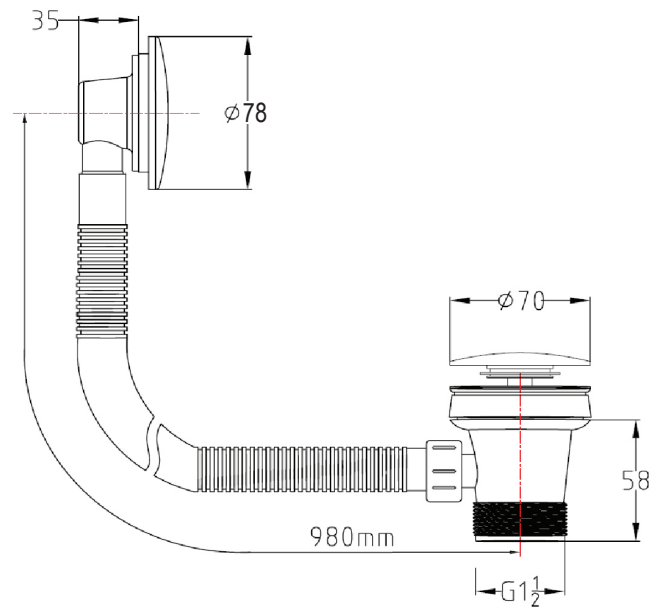




Diagrams not to scale.
All dimensions in mm tolerance of +/- 2mm

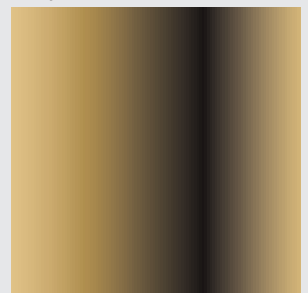


Unit Weight:	0.66Kg
Fitting:	Polypropylene G1-1/2" BSP Male thread
Water Pressure:	Min. 0.2 bar, Max. 5.0 bar

Specification:

- Suitable for all plumbing systems
- 1 year warranty against manufacturing faults (excluding serviceable parts)
- Construction: Brass, Stainless steel, Polypropylene & ABS
- Twist fitting

Finish



Brushed Brass

