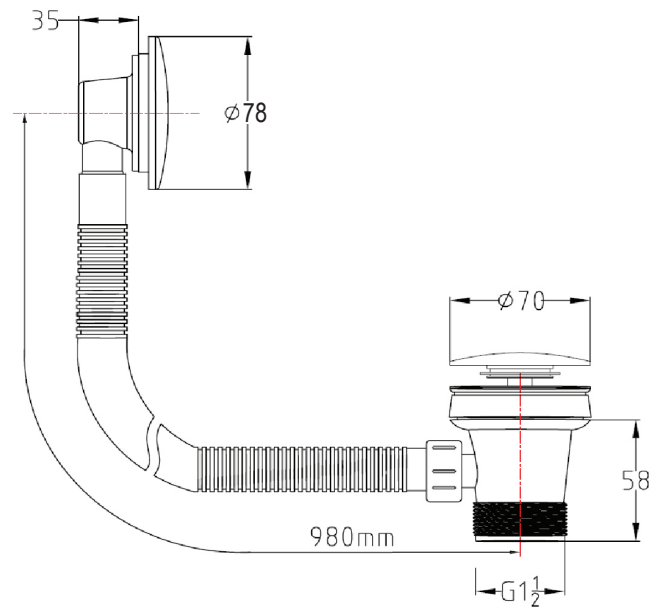




Diagrams not to scale.
All dimensions in mm tolerance of +/- 2mm



Unit Weight:	0.66Kg
Fitting:	G1-1/2" BSP

Specification:

- Suitable for all plumbing systems
- 1 year warranty against manufacturing faults (excluding serviceable parts)
- Construction: Brass, Stainless steel, Polypropylene & ABS
- Centre to centre length: 980mm, suitable for Bathtub with 5-17mm thickness
- Twist fitting

Finish



Matt Black