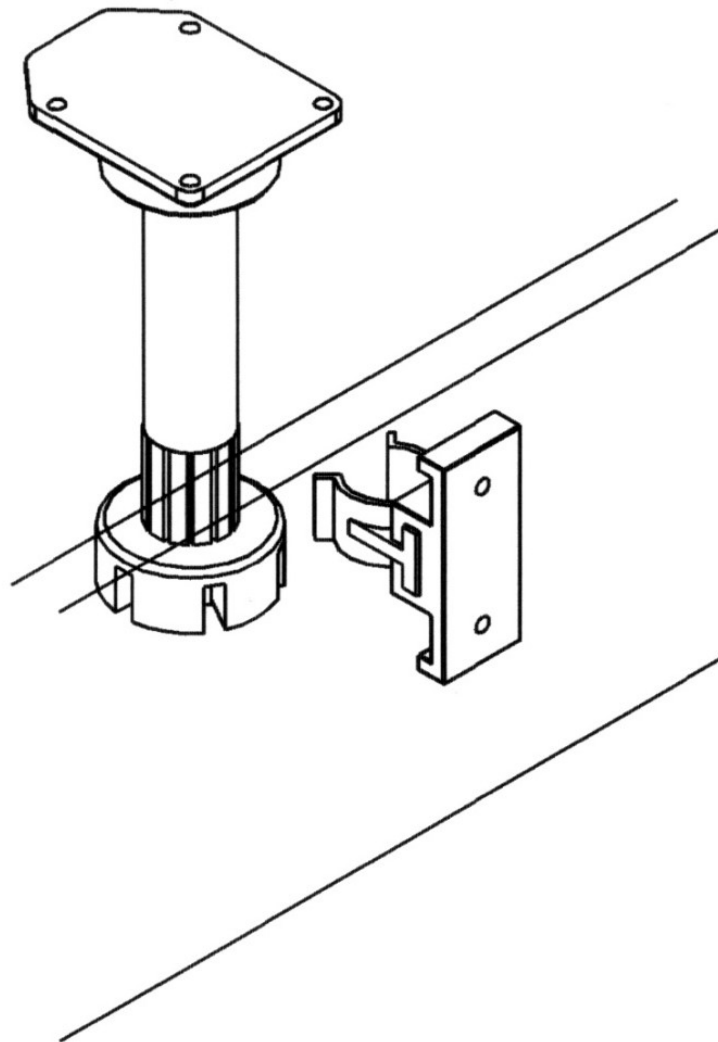


Installation Instruction Adjustable Legs & Plinths



Bathroom Furniture Assembly Instructions

Product Identification

All units can be easily identified from the labels on the packaging. These labels include a description and product batch numbers. In the unlikely event of any missing items, these numbers should be quoted when contacting your supplier.

Please inspect all products carefully before installation.

The guarantee does not cover any subsequent installation costs incurred if faults which would have been evident at the time of delivery are discovered after installation.

Installation Guide and Assembly Manual

It is recommended that this guide should be read before any installation of units begins. Always unpack units carefully and check the contents before discarding the packaging as small items may still be in the packaging. To protect units from scratches only lay them on a clean flat surface.

Electrical

Carrying out work in a bathroom that requires any addition or alteration to existing circuits could be notifiable to your local building control department to ensure it meets the correct safety standards. Generally, any work carried out to the circuit within a specific zone close to the bath or shower unit is considered notifiable. A straightforward way of meeting the requirements is to use a contractor who is registered with a Competent Person Scheme such as NICEIC or ELECSA. They can self-certify the work and notify the local building control department on your behalf.

Sanitaryware

Basins

Any unit edges around wash basins must be sealed with a waterproof agent or sealer.

Basins should be levelled on a bead of silicon onto the base unit if possible before the final water and waste connections are made.

W/C Units

You will need to make cut-outs for pipes and cistern controls as directed by the Manufacturer's instructions or templates, remembering to seal any raw edges. The cistern will require fixing to the cross rail. (These fixings are not supplied)

Please note: These units are designed for back-to-wall pans as well as suspended "wall hung" pans when used with a suitable suspension frame.

Guidelines for Care and Maintenance

To maintain the appearance and prolong the life of your new bathroom products we recommend the following,

Furniture

Wipe spills up immediately with a clean soft damp cloth as excessive amounts of spillage or condensation can cause deterioration of the woodwork. We recommend that furniture be cleaned with a soft damp cloth and warm soapy water. Avoid using cleaners or polishes that contain abrasives, solvents, acid or ammonia.

Mirrors

Wipe off excessive moisture or condensation, clean with a soft cloth. Avoid using cleaners that contain abrasives, solvents, acid or ammonia.

Ceramic Sanitaryware

Clean with a soft damp cloth and warm soapy water; rinse with clean water and polish with a soft cloth. Avoid using cleaners that contain abrasives, solvents, acid or ammonia.

Gel-coated Cast Mineral Washbasins

Gel-cast basins are designed and guaranteed to be used with hot water up to a maximum temperature of 65°C, this temperature must not be exceeded.

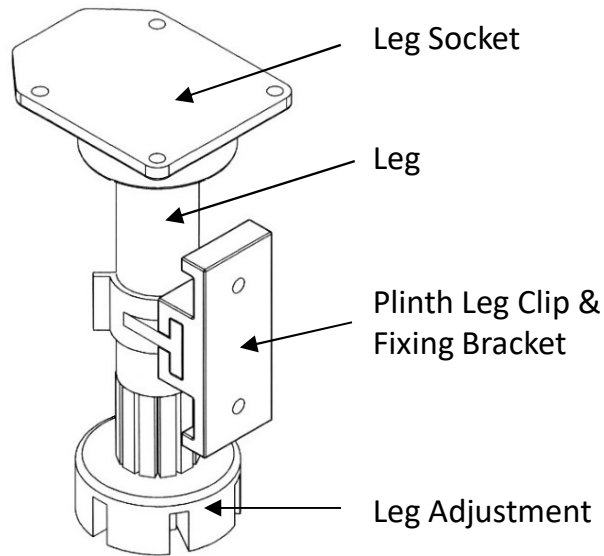
Clean with a soft damp cloth, water and soap or very mild detergent, rinse and polish with a soft cloth. Avoid using cleaners that contain abrasives, solvents, acid or ammonia. Do not use caustic soda or bleaches. For a good shine use a fine polish around twice a year and then finish with a wax e.g. car wax. Care instructions are included with the washbasin.

Brassware

Clean with a damp cloth, water and soap, rinse clean and polish with a cloth.

Avoid using cleaners that contain abrasives, solvents, acid or ammonia.

Installation



1. Turn the unit upside down. Place the leg socket into place and screw to the bottom of the unit, using the **6x5/8 screws** provided. **Diagram 1.**
2. Insert the legs into sockets, making sure they are pushed all the way in. Wind the Leg to approximately 180mm (Plinth Height). Adjustment may be required to level off. **Diagram 1.**
2. Place the plinth into position face down, draw a line and mark the positions of the Plinth Fixing Brackets. Fix the Fixing Brackets using , using the **6x5/8 screws** provided. **Diagram 2.**
3. Once in place slide the Plinth Leg Clips into Plinth Fixing Brackets. **Diagram 2**
4. Place the plinth in front of the legs lining up Plinth Leg Clips & Fixing Brackets and push the plinth onto legs. **Diagram 3**

Diagram 1

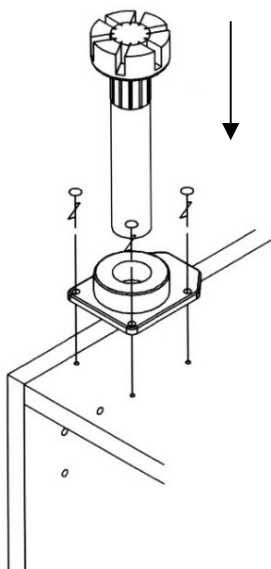


Diagram 2

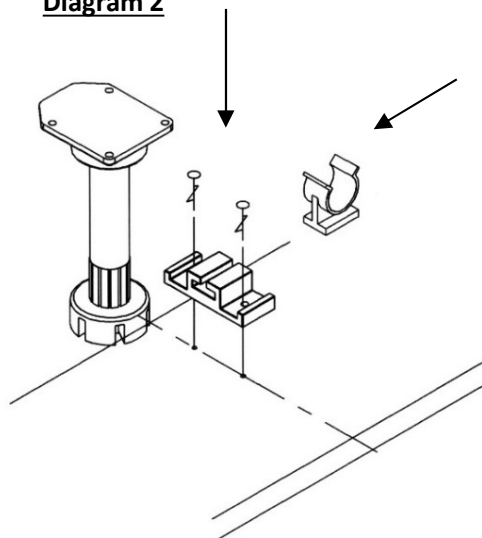
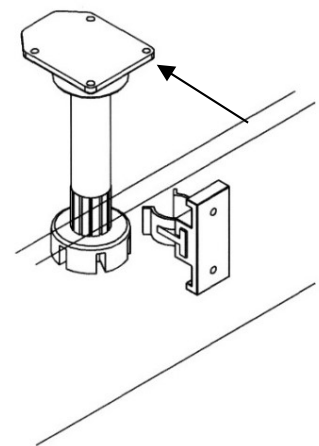


Diagram 3





— est. 1964 —



REGISTER YOUR GUARENTEE SCAN ABOVE OR VISIT – WWW.ATLANTABATHROOMS.COM

Customer Services
Tel: 0191 428 0444
Fax: 0191 489 0620