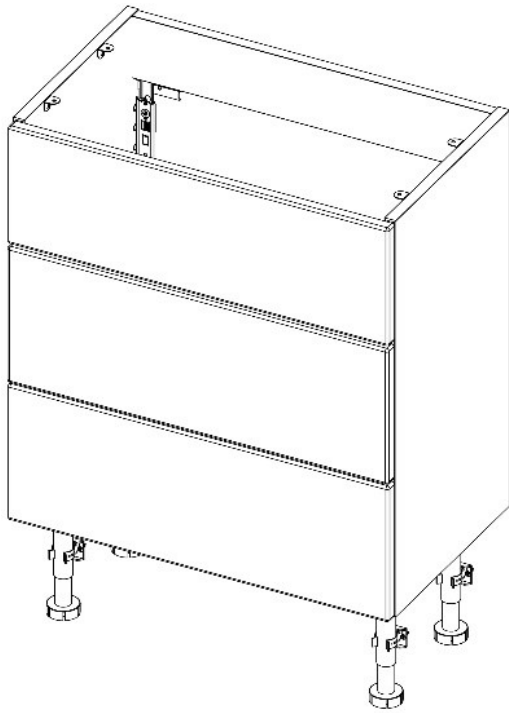
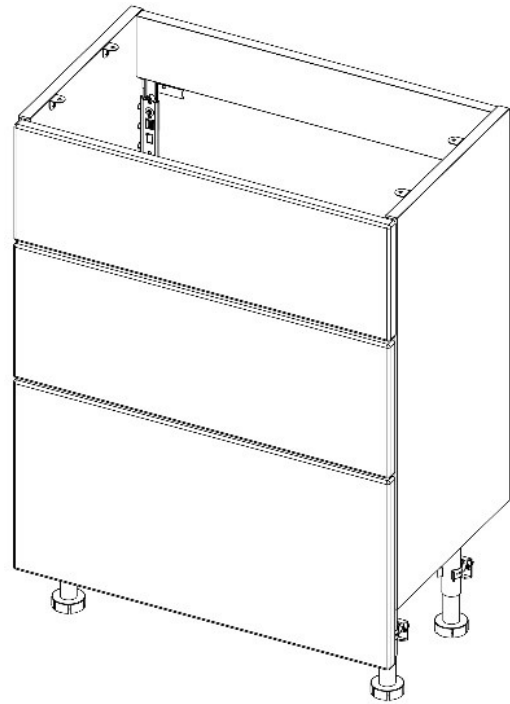


Installation Instruction



**Drawer Basin Unit
Short Door**



**Drawer Basin Unit
Long Door**

Drawer Basin Units

Bathroom Furniture Assembly Instructions

Product Identification

All units can be easily identified from the labels on the packaging. These labels include a description and product batch numbers. In the unlikely event of any missing items, these numbers should be quoted when contacting your supplier.

Please inspect all products carefully before installation.

The guarantee does not cover any subsequent installation costs incurred if faults which would have been evident at the time of delivery are discovered after installation.

Installation Guide and Assembly Manual

It is recommended that this guide should be read before any installation of units begins. Always unpack units carefully and check the contents before discarding the packaging as small items may still be in the packaging. To protect units from scratches only lay them on a clean flat surface.

Electrical

Carrying out work in a bathroom that requires any addition or alteration to existing circuits could be notifiable to your local building control department to ensure it meets the correct safety standards. Generally, any work carried out to the circuit within a specific zone close to the bath or shower unit is considered notifiable. A straightforward way of meeting the requirements is to use a contractor who is registered with a Competent Person Scheme such as NICEIC or ELECSA. They can self-certify the work and notify the local building control department on your behalf.

Sanitaryware

Basins

Any unit edges around wash basins must be sealed with a waterproof agent or sealer. Basins should be levelled on a bead of silicon onto the base unit if possible before the final water and waste connections are made.

W/C Units

You will need to make cut-outs for pipes and cistern controls as directed by the Manufacturer's instructions or templates, remembering to seal any raw edges. The cistern will require fixing to the cross rail. (These fixings are not supplied)

Please note: These units are designed for back-to-wall pans as well as suspended "wall hung" pans when used with a suitable suspension frame.

Guidelines for Care and Maintenance

To maintain the appearance and prolong the life of your new bathroom products we recommend the following,

Furniture

Wipe spills up immediately with a clean soft damp cloth as excessive amounts of spillage or condensation can cause deterioration of the woodwork. We recommend that furniture be cleaned with a soft damp cloth and warm soapy water. Avoid using cleaners or polishes that contain abrasives, solvents, acid or ammonia.

Mirrors

Wipe off excessive moisture or condensation, clean with a soft cloth. Avoid using cleaners that contain abrasives, solvents, acid or ammonia.

Ceramic Sanitaryware

Clean with a soft damp cloth and warm soapy water; rinse with clean water and polish with a soft cloth. Avoid using cleaners that contain abrasives, solvents, acid or ammonia.

Gel-coated Cast Mineral Washbasins

Gel-cast basins are designed and guaranteed to be used with hot water up to a maximum temperature of 65°C, this temperature must not be exceeded.

Clean with a soft damp cloth, water and soap or very mild detergent, rinse and polish with a soft cloth. Avoid using cleaners that contain abrasives, solvents, acid or ammonia. Do not use caustic soda or bleaches. For a good shine use a fine polish around twice a year and then finish with a wax e.g. car wax. Care instructions are included with the washbasin.

Brassware

Clean with a damp cloth, water and soap, rinse clean and polish with a cloth. Avoid using cleaners that contain abrasives, solvents, acid or ammonia.

Installation

Note: All cabinets should be fastened to the wall before fixing the basin, after alignment we recommend additional wall fixings are made, then the final installation of the basin can be carried out.

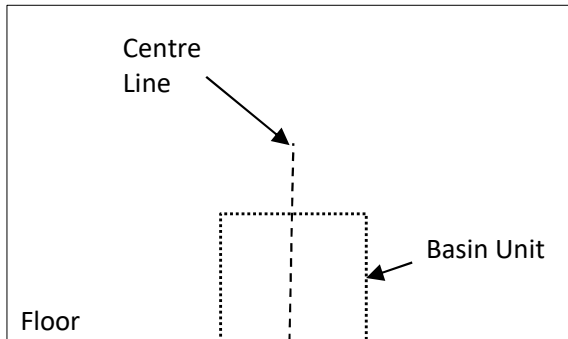


Diagram 1

Note: Consider where the pipes are located before beginning the installation.

To begin, place the Basin Unit into the desired installation position in the room.

Mark a centre line on the wall.

See Diagram 1.

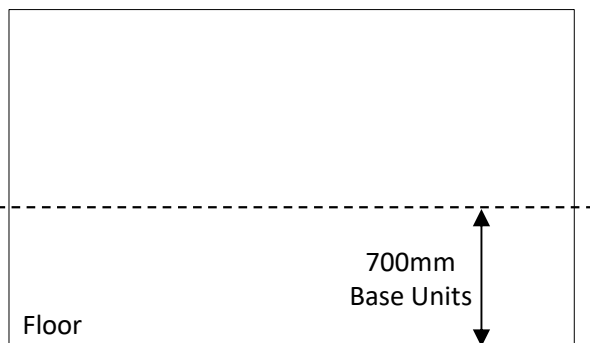


Diagram 2

Note: We recommend an installation height of 820mm. (Height of the unit plus 180mm plinth, this is also to match the height of the WC Unit.)

Draw a horizontal line **700mm** from the floor, this is the height the hanging brackets will be fitted at, so the unit has a finished height of 820mm. For other installation heights, adjust accordingly.

See Diagram 2.

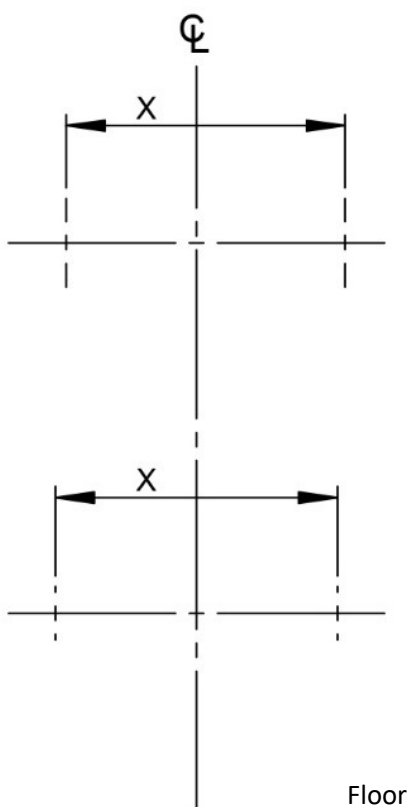


Diagram 3

Next mark the position of the outer edges of the Units = **X**, working out from the centre line.

See Diagram 3.

Installation

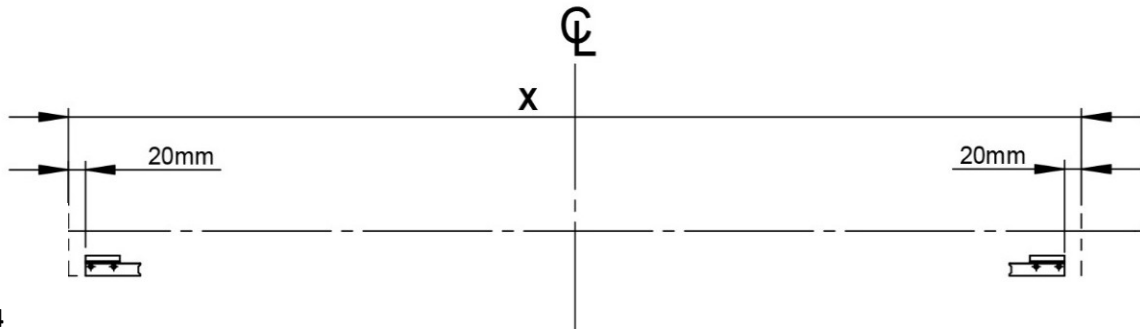


Diagram 4

For all units, mark out the position of the wall plates (supplied as pairs) using the dimensions provided above.

Once marked, drill the fixing positions. Depending on the wall medium, it may be necessary to plug the drilled holes. See '**Important Note**' below.

Next screw and secure the wall plates to the wall using suitable screws. See '**Important Note**' below.

See **Diagram 4**.

IMPORTANT NOTE:

Wall fixings (i.e. screws/wall plugs etc.) are not supplied as these are crucially dependent upon the type of wall and surface the surround is going to be fixed too. The installer is therefore responsible for ensuring that suitable fittings are used according to the particular model to be installed as well as individual fitting situations and environments. All mechanical fixings, for holding the product in position, must be secured to a solid wall or structure.

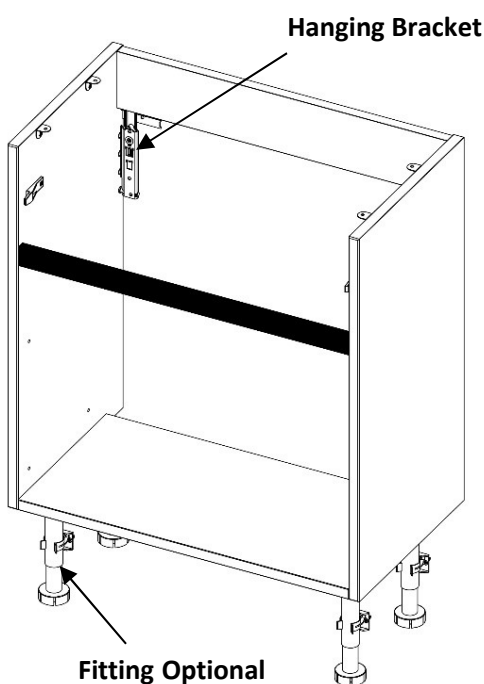


Diagram 5

Hanging the Unit

Note: If floor standing the unit (i.e. using a plinth) you will be required to fit the legs to the cabinet prior to hanging. **Please see the separate Plinth & Leg Instruction for more detail.**

Hang the units, making sure the hanging brackets on the rear of the units, engage with the wall plates on the wall.

See **Diagram 5**.

Installation

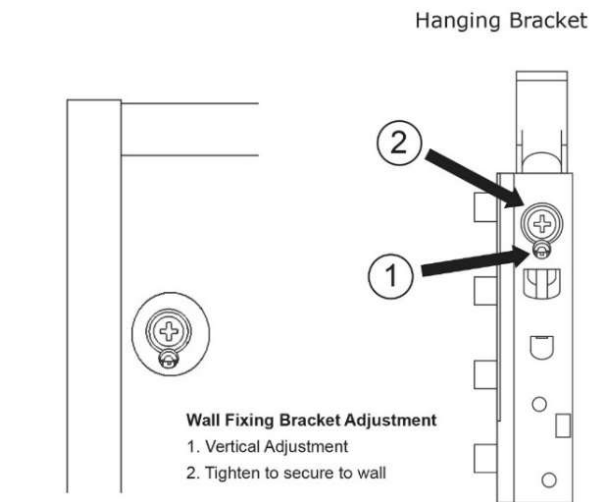


Diagram 6

Hanging Bracket Adjustment

Adjust the units so they sit level, using a Pozi screw driver. **(1)**

Finally fix the units in position by tightening the screws, using a Pozi screw driver. **(2)**

See **Diagram 6**.

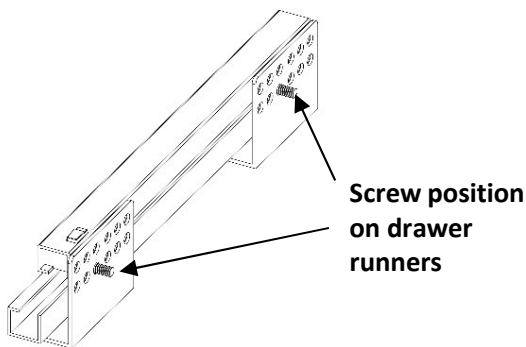


Diagram 7

Drawer Runner Preparation

When fitting runners to the unit use the bottom holes on the runner, as indicated in **Diagram 7**.

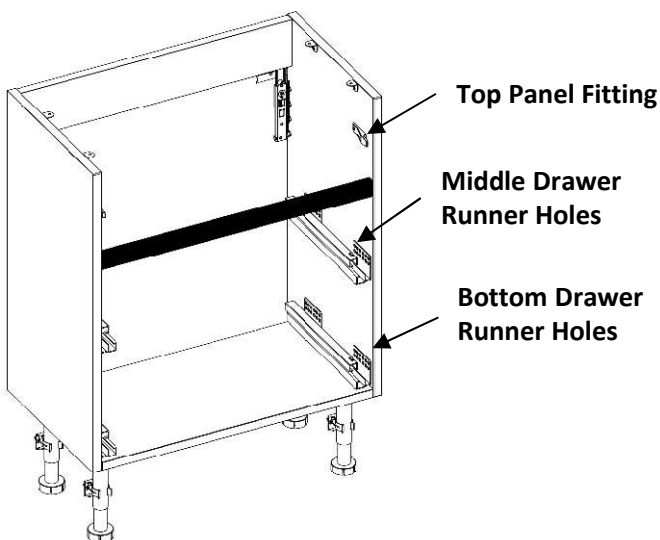


Diagram 8

Drawer Runner Fitting

Attach the runners to the unit using the hole positions indicated in **Diagram 8**.

Once the drawer runners are fitted proceed with assembling and installing the drawer box.

Installation

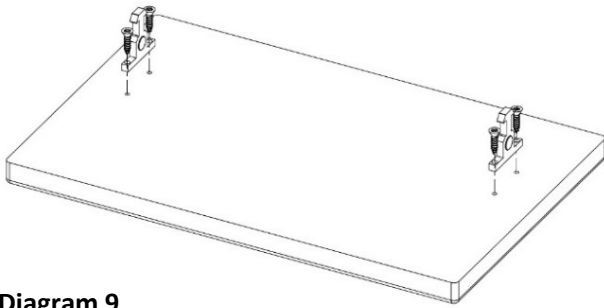


Diagram 9

Drawer Front Preparation

Fit the drawer front clip onto the back of the drawer front, fixing the **6x5/8 screws** provided through the holes in the clips and into the pre-drilled holes on the back of the drawer front.

See Diagram 9.

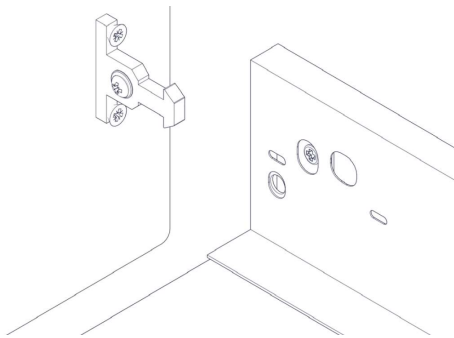


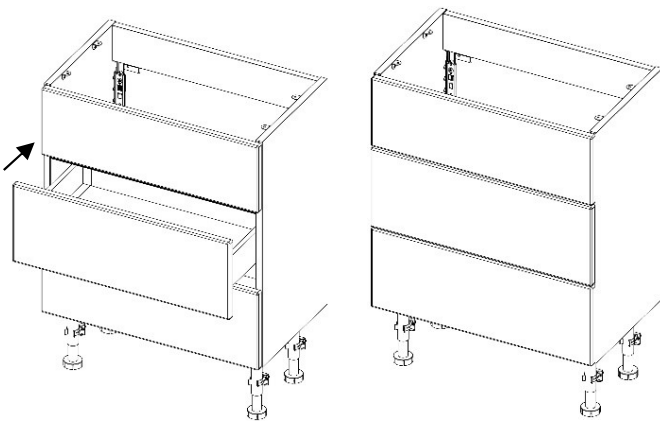
Diagram 10

Drawer Front Fitting

Align the clips on the drawer front with the opening in the sides on the pre- assembled drawer box.

Push the drawer front into the sides until they **click** into position.

See Diagram 10.



Fitting the Assembled Drawer

To fit the assembled drawers in the unit, position the drawer boxes over the runners and push to close, you will hear a **click**, this indicates the drawer had engaged onto the runners and installation is complete.

See Diagram 11.

Drawer Left/Right Adjustment

Turn screw Clockwise to adjust drawer to the right
Turn screw Anti-Clockwise to adjust drawer to the left.

See Diagram 12.

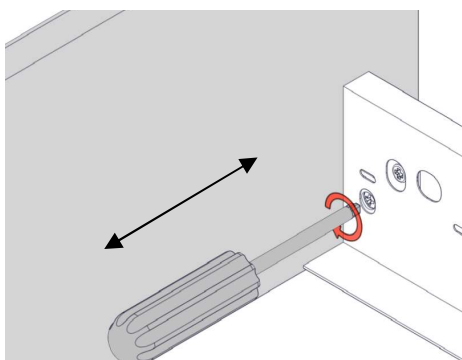


Diagram 12

Drawer Up/Down Adjustment

Turn screw Clockwise to adjust drawer upwards
Turn screw Anti-Clockwise to adjust downwards

See Diagram 13.

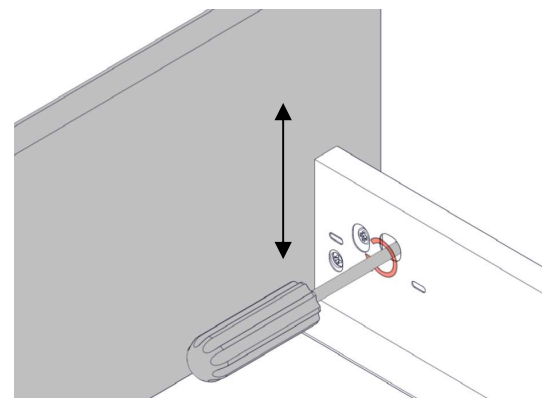


Diagram 13

Installation

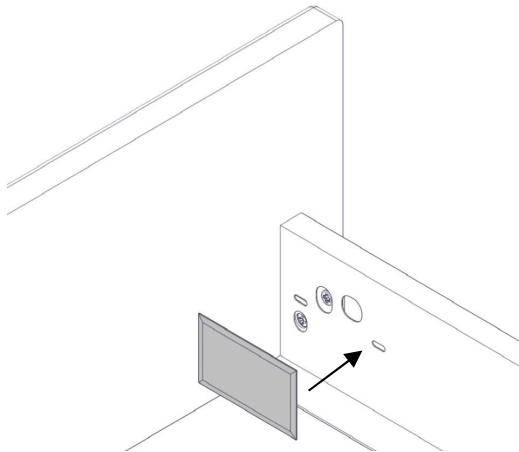


Diagram 14

Cover Cap Fitting

Fit the cover caps onto drawer side. Push fitting into slotted grooves in drawer side.

See **Diagram 14**.

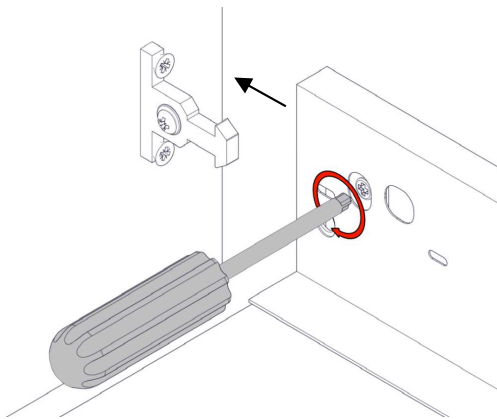


Diagram 15

Drawer Front Removal

Remove the cover caps **Diagram 14**.

Turn the screw anticlockwise indicated in **Diagram 15**.

This will remove the drawer front from the drawer box.

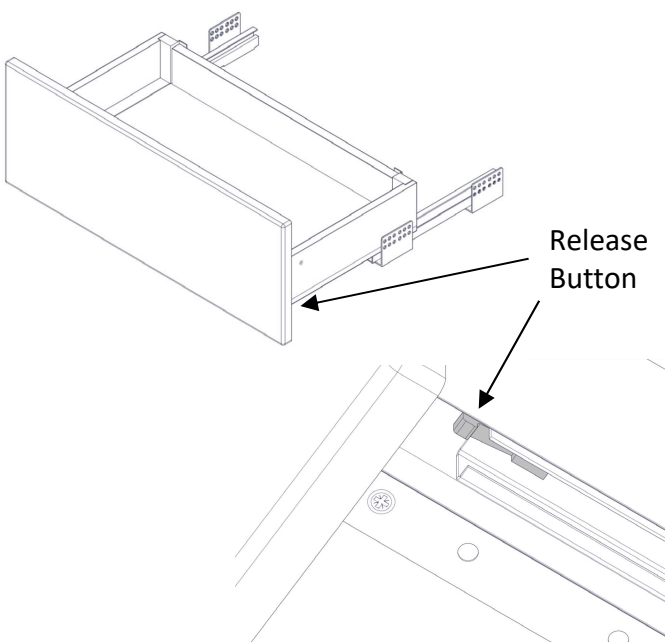


Diagram 16

Assembled Drawer Box Removal

To remove the drawer box including the drawer front, open fully and push button on the underside of the drawer as indicated (**Diagram 16**).

While keeping the button pressed in lift the drawer box upward to remove.

Installation

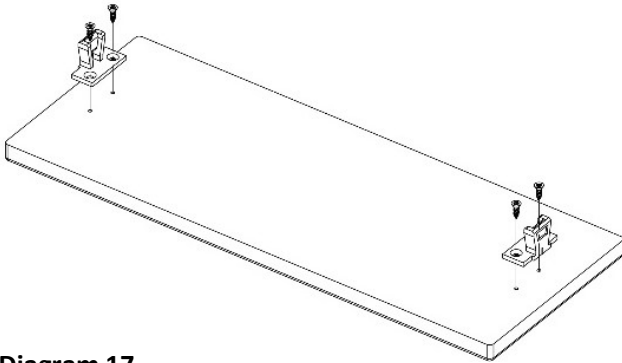


Diagram 17

Top Panel Fitting

Fit the Keku fittings onto the top panel, fixing the **6x5/8 screws** provided through the holes in the fittings and into the pre-drilled holes on the top panel.

Diagram 17.

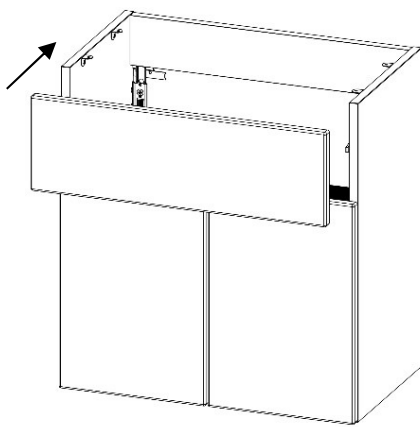


Diagram 18

Top Panel Fitting *Continued*....

Once the Keku fittings are fitted to the front panel, push the panel onto pre-installed fixings on unit.

The top panel is now installed.

Diagram 18.



— est. 1964 —



REGISTER YOUR GUARENTEE SCAN ABOVE OR VISIT – WWW.ATLANTABATHROOMS.COM

Customer Services
Tel: 0191 428 0444
Fax: 0191 489 0620