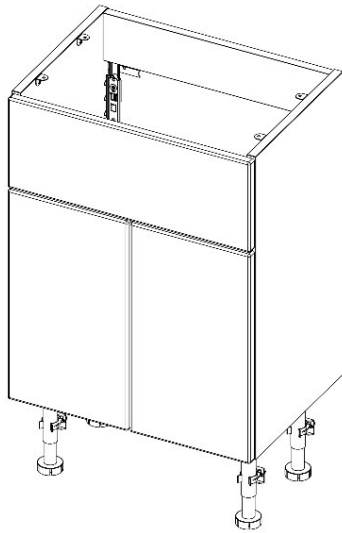
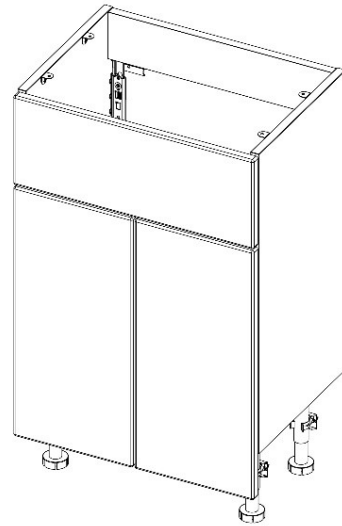


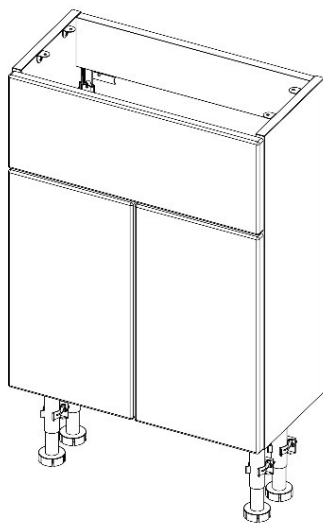
## Installation Instruction Basin Units



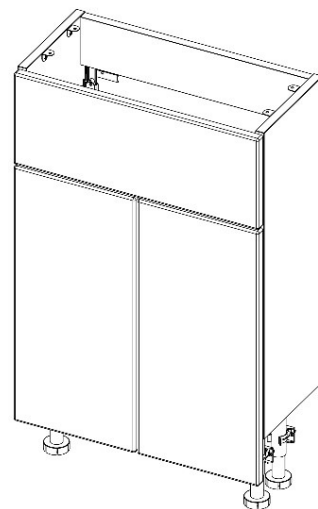
**Basin Units – Short Door**



**Basin Units – Long Door**



**Slimline Basin Units – Short Door**



**Slimline Basin Units – Long Door**

---

# Bathroom Furniture Assembly Instructions

---

## **Product Identification**

All units can be easily identified from the labels on the packaging. These labels include a description and product batch numbers. In the unlikely event of any missing items, these numbers should be quoted when contacting your supplier.

## **Please inspect all products carefully before installation.**

The guarantee does not cover any subsequent installation costs incurred if faults which would have been evident at the time of delivery are discovered after installation.

## **Installation Guide and Assembly Manual**

It is recommended that this guide should be read before any installation of units begins. Always unpack units carefully and check the contents before discarding the packaging as small items may still be in the packaging. To protect units from scratches only lay them on a clean flat surface.

## **Electrical**

Carrying out work in a bathroom that requires any addition or alteration to existing circuits could be notifiable to your local building control department to ensure it meets the correct safety standards. Generally, any work carried out to the circuit within a specific zone close to the bath or shower unit is considered notifiable. A straightforward way of meeting the requirements is to use a contractor who is registered with a Competent Person Scheme such as NICEIC or ELECSA. They can self-certify the work and notify the local building control department on your behalf.

## **Sanitaryware**

### **Basins**

Any unit edges around wash basins must be sealed with a waterproof agent or sealer.  
Basins should be levelled on a bead of silicon onto the base unit if possible before the final water and waste connections are made.

### **W/C Units**

You will need to make cut-outs for pipes and cistern controls as directed by the Manufacturer's instructions or templates, remembering to seal any raw edges. The cistern will require fixing to the cross rail. (These fixings are not supplied)

**Please note:** These units are designed for back-to-wall pans as well as suspended "wall hung" pans when used with a suitable suspension frame.

## **Guidelines for Care and Maintenance**

To maintain the appearance and prolong the life of your new bathroom products we recommend the following,

### **Furniture**

Wipe spills up immediately with a clean soft damp cloth as excessive amounts of spillage or condensation can cause deterioration of the woodwork. We recommend that furniture be cleaned with a soft damp cloth and warm soapy water. Avoid using cleaners or polishes that contain abrasives, solvents, acid or ammonia.

### **Mirrors**

Wipe off excessive moisture or condensation, clean with a soft cloth. Avoid using cleaners that contain abrasives, solvents, acid or ammonia.

### **Ceramic Sanitaryware**

Clean with a soft damp cloth and warm soapy water; rinse with clean water and polish with a soft cloth. Avoid using cleaners that contain abrasives, solvents, acid or ammonia.

### **Gel-coated Cast Mineral Washbasins**

Gel-cast basins are designed and guaranteed to be used with hot water up to a maximum temperature of 65°C, this temperature must not be exceeded.

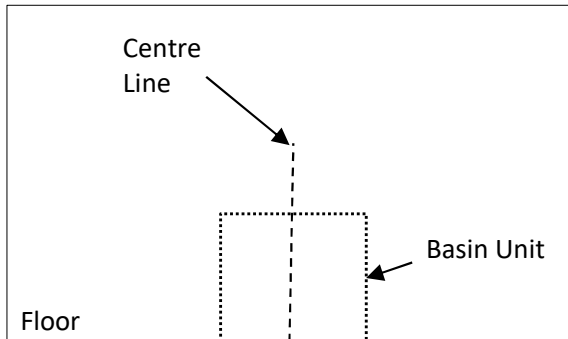
Clean with a soft damp cloth, water and soap or very mild detergent, rinse and polish with a soft cloth. Avoid using cleaners that contain abrasives, solvents, acid or ammonia. Do not use caustic soda or bleaches. For a good shine use a fine polish around twice a year and then finish with a wax e.g. car wax. Care instructions are included with the washbasin.

### **Brassware**

Clean with a damp cloth, water and soap, rinse clean and polish with a cloth.  
Avoid using cleaners that contain abrasives, solvents, acid or ammonia.

# Installation

**Note:** All cabinets should be fastened to the wall before fixing the basin, after alignment we recommend additional wall fixings are made, then the final installation of the basin can be carried out.



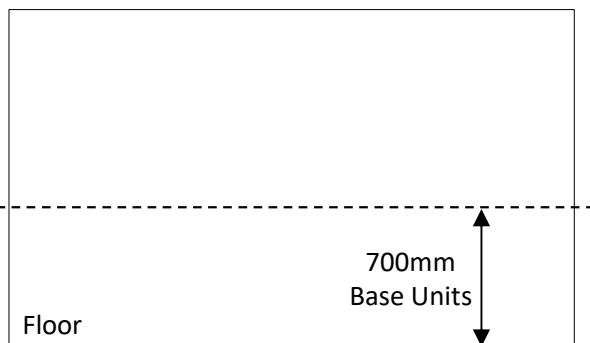
**Diagram 1**

**Note:** Consider where the pipes are located before beginning the installation.

To begin, place the Basin Unit into the desired installation position in the room.

Mark a centre line on the wall.

**See Diagram 1.**

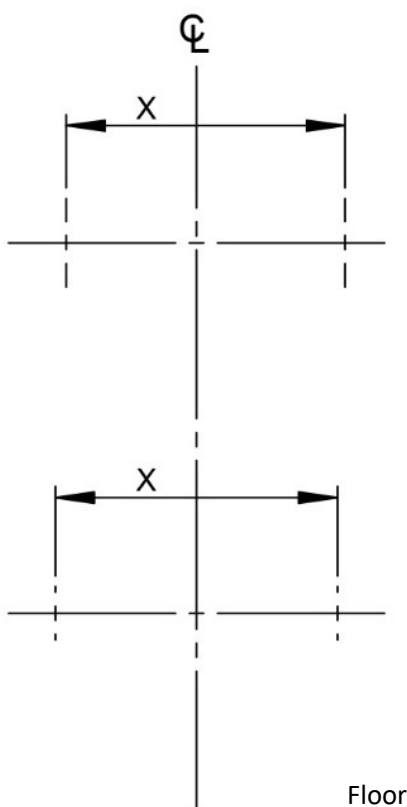


**Diagram 2**

**Note:** We recommend an installation height of 820mm. (Height of the unit plus 180mm plinth, this is also to match the height of the WC Unit.)

Draw a horizontal line **700mm** from the floor, this is the height the hanging brackets will be fitted at, so the unit has a finished height of 820mm. For other installation heights, adjust accordingly.

**See Diagram 2.**



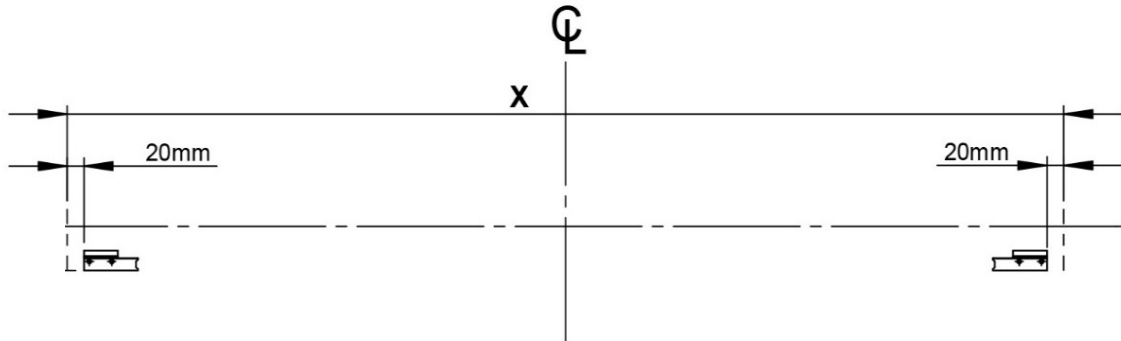
**Diagram 3**

Next mark the position of the outer edges of the Units = **X**, working out from the centre line.

**See Diagram 3.**

# Installation

**Diagram 4**



For all units mark out the position of the wall plates (supplied as pairs) using the dimensions provided above.

Once marked, drill the fixing positions. Depending on the wall medium, it may be necessary to plug the drilled holes. See '**Important Note**' below.

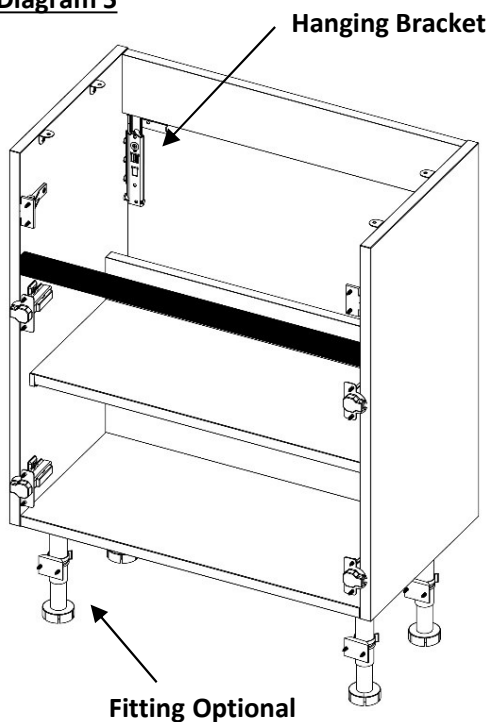
Next screw and secure the wall plates to the wall using suitable screws. See '**Important Note**' below.

See **Diagram 4**.

**IMPORTANT NOTE:**

Wall fixings (i.e. screws/wall plugs etc.) are not supplied as these are crucially dependent upon the type of wall and surface the surround is going to be fixed too. The installer is therefore responsible for ensuring that suitable fittings are used according to the particular model to be installed as well as individual fitting situations and environments. All mechanical fixings, for holding the product in position, must be secured to a solid wall or structure.

**Diagram 5**



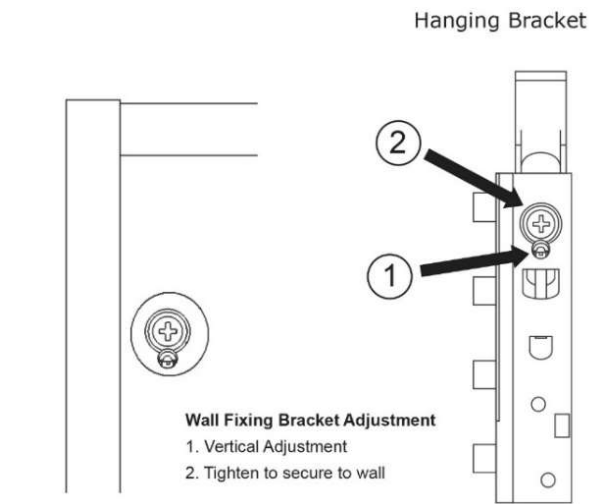
**Hanging the Unit**

**Note:** If floor standing the unit (i.e. using a plinth) you will be required to fit the legs to the cabinet prior to hanging. **Please see the separate Plinth & Leg Instruction for more detail.**

Hang the units, making sure the hanging brackets on the rear of the units, engage with the wall plates on the wall.

See **Diagram 5**.

# Installation



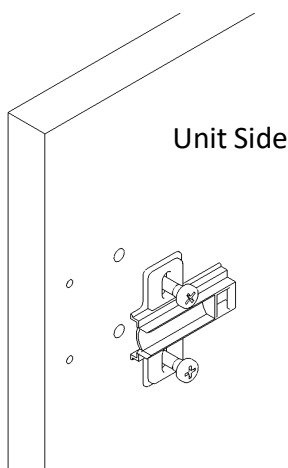
**Diagram 6**

## Hanging Bracket Adjustment

Adjust the units so they sit level, using a Pozi screw driver. **(1)**

Finally fix the units in position by tightening screws, using a Pozi screw driver. **(2)**

**See Diagram 6.**

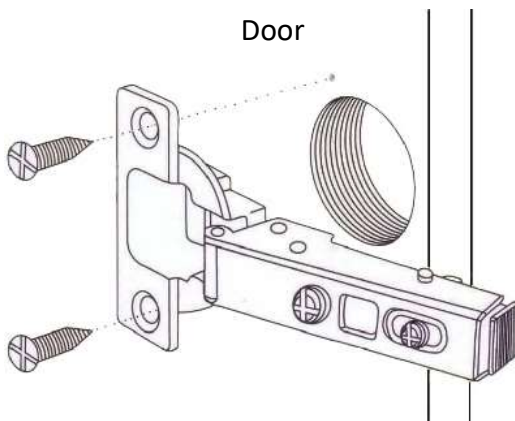


**Diagram 7**

## Hanging the Doors

**Tip:** Lay the doors on a clean flat surface that will not damage or scratch the product.

Firstly screw the hinge plate into unit side, using the predrilled 5mm holes as indicated in **Diagram 7**.



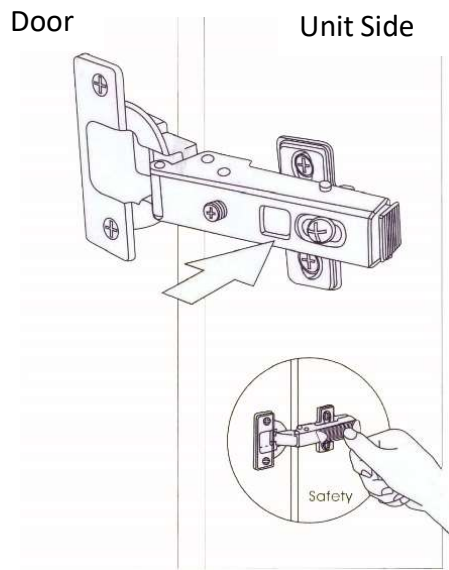
**Diagram 8**

## Hanging the Doors Continued.....

Locate the hinge arm into predrilled 35mm hole on back of door and secure with **2No.6x5/8" countersunk screws** provided.

**See Diagram 8.**

# Installation



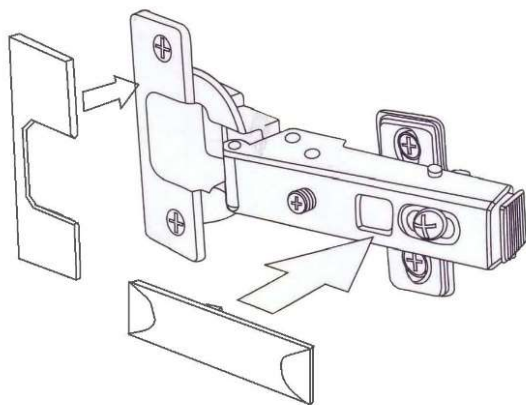
**Diagram 9**

## Hanging the Doors Continued.....

To hang the door, locate the hinge arm over the hinge plate and **click** into position.

**See Diagram 9.**

**Tip:** Adjust the alignment of the door before final tightening.

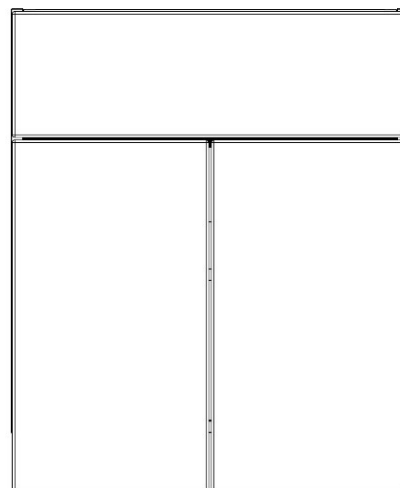
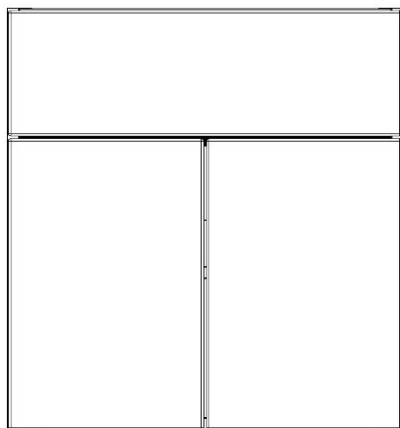


**Diagram 10**

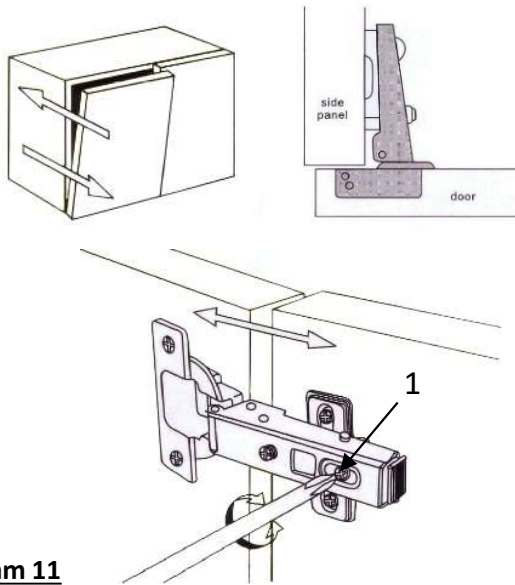
## Hanging the Doors Continued.....

Click the cover plates into position on the hinges.

**See Diagram 10.**



## Adjustments



**Diagram 11**

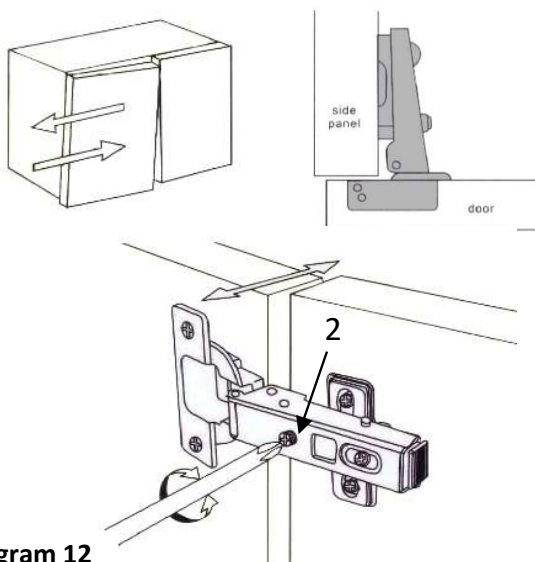
### Door Front adjustment

Set the distance between the back face of the door and the edge of the unit side panel.

**Tip:** Leave an approx. 2mm gap to help avoid binding.

To fix the hinge arm to the hinge plate, tighten screws **(1)** securely.

See **Diagram 11**.



**Diagram 12**

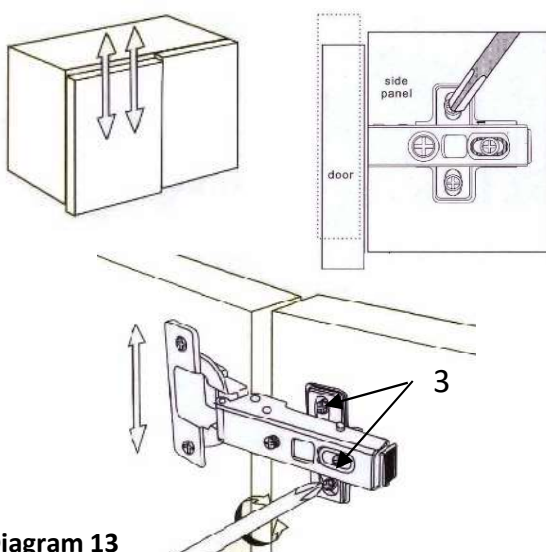
### Door Lateral overlay adjustment

Adjust screws **(2)** to adjust the edge of the door so it runs parallel with the outside face of the unit side panel.

**Note:** The edge of the door should be set back approx. 1.5mm from the edge of the unit.

**Note:** For the protection of the damper, it only allows a lateral adjustment. (left to right)

See **Diagram 12**.



**Diagram 13**

### Door Vertical adjustment

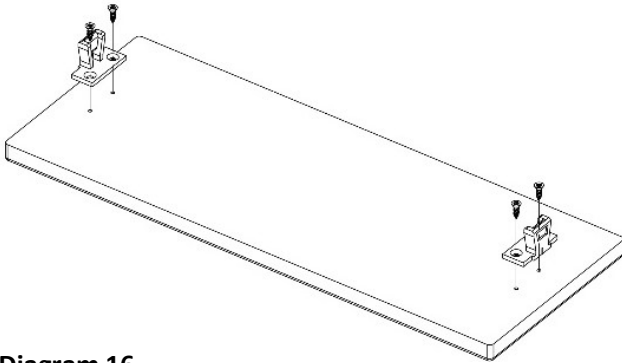
The door can be vertically adjusted by turning the plate screws up and down. **(3)**

The door can be vertically adjusted by loosening the screws **(3)** on all of the hinge plates on the door and carefully moving the door up or down as required.

Once in position re-tighten all the screws **(3)** to secure in place.

See **Diagram 13**.

## Installation

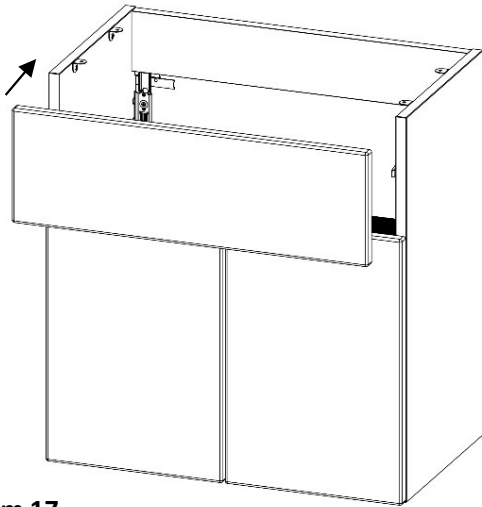


**Diagram 16**

### **Top Panel Fitting**

Fit the Keku fittings onto the top panel, fixing the **6x5/8 screws** provided through the holes in the fittings and into the pre-drilled holes on the top panel.

**Diagram 16.**



**Diagram 17**

### **Top Panel Fitting Continued.....**

Once the Keku fittings are fitted to the front panel, push the panel onto pre-installed fixings on unit.

The top panel is now installed.

**Diagram 17.**





— est. 1964 —



REGISTER YOUR GUARENTEE SCAN ABOVE OR VISIT – [WWW.ATLANTABATHROOMS.COM](http://WWW.ATLANTABATHROOMS.COM)

**Customer Services**  
Tel: 0191 428 0444  
Fax: 0191 489 0620