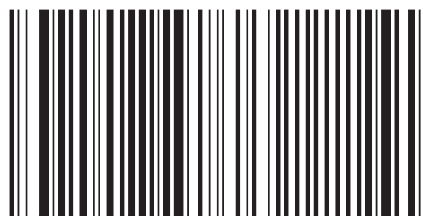


Please pass these instructions to the end user when installation is complete.

ATLANTA

Assembly and Instruction Manual

ATLANTA INSTRUCTION MANUAL



2 1 P 0 8 6 4 7 0 0 0 0 0 2

Please read this document prior to installation or assembly.

04.22

BATHROOM FURNITURE ASSEMBLY INSTRUCTIONS

Product Identification

All units can be easily identified from the labels on the packaging. These labels include a description and product batch numbers. In the unlikely event of any missing items, these numbers should be quoted when contacting your supplier.

Please inspect all products carefully before installation.

The guarantee does not cover any subsequent installation costs incurred if faults which would have been evident at the time of delivery are discovered after installation.

Installation Guide and Assembly Manual

It is recommended that this guide should be read before any installation of units begins. Always unpack units carefully and check the contents before discarding the packaging as small items may still be in the packaging. To protect units from scratches only lay them on a clean flat surface.

DO NOT CARRY UNITS BY RAILS.

Installation

- If using a W/C unit it is advisable that this unit where possible should be installed first. This unit is floor standing and may need leveling. Either pack the unit up or scribe down to the floor, this would give a starting point and installation height for all other base units. Please remember if a plinth is being used on adjacent units that the plinth height is 180mm.
- When all units are ready for installation and the room is cleared, place the units along the relevant walls and level off. Level by adjusting the legs, where possible leave a gap of 180mm from floor to underside of cabinet. This will ease the plinth fixing at later stages of installation.
- Once aligned, use the carcass connecting bolts to join adjacent units together.
- Secure units to the wall either through the back rail or by using 'L' shape fixing brackets where supplied. Please note that wall fixings are not supplied for securing the units to the wall.
- If any cut-outs or scribing has been undertaken it is the responsibility of the installer to seal any cut edges with a suitable waterproof agent.
- For the installation of wall units or mirrors a suggested height of 1122mm above the surface of the Countertop is recommended. This dimension must be adhered to if Units or Mirrors are sited immediately beside a Tall unit as shelving would prove difficult to install. If a Tall unit is not present these items can be installed at the customers discretion. Please refer to unit dimensions within this document.
- Marking off each unit will give you a reference point for securing the wall fixing brackets, final adjustments can be made by the wall hanging brackets inside the unit. Once aligned use cabinet connecting bolts to join adjacent units together.
- High Gloss panels may be covered with a protective film which needs to be removed before final installation.
- **ANY CUT PANELS INCLUDING COUNTERTOPS MUST BE SEALED WITH A WATERPROOF AGENT.**

SANITARYWARE

Basins.

Any cabinet edges around wash basins must be sealed with a waterproof agent or sealer.

Basins should be levelled on a bead of silicon onto the base unit if possible before the final water and waste connections are made.

W/C Units

You will need to make cut-outs for pipes and cistern controls as directed by the Manufacturer's instructions or templates, remembering to seal any raw edges. The cistern will require fixing to the cross rail. (These fixings are not supplied)

Please note: These units are designed for back-to-wall pans as well as suspended "wall hung" pans when used with a suitable suspension frame.

Guidelines for Care and Maintenance

To maintain the appearance and prolong the life of your new bathroom products we recommend the following,

Furniture

Wipe spills up immediately with a clean soft damp cloth as excessive amounts of spillage or condensation can cause deterioration of the woodwork. We recommend that furniture be cleaned with a soft damp cloth and warm soapy water. Avoid using cleaners or polishes that contain abrasives, solvents, acid or ammonia.

Mirrors

Wipe off excessive moisture or condensation, clean with a soft cloth. Avoid using cleaners that contain abrasives, solvents, acid or ammonia.

Ceramic Sanitaryware

Clean with a soft damp cloth and warm soapy water; rinse with clean water and polish with a soft cloth. Avoid using cleaners that contain abrasives, solvents, acid or ammonia.

Gel-coated Cast Mineral Washbasins

Gel-cast basins are designed and guaranteed to be used with hot water up to a maximum temperature of 65°C, this temperature must not be exceeded

Clean with a soft damp cloth, water and soap or very mild detergent, rinse and polish with a soft cloth. Avoid using cleaners that contain abrasives, solvents, acid or ammonia. Do not use caustic soda or bleaches. For a good shine use a fine polish around twice a year and then finish with a wax e.g. car wax. Care instructions are included with the washbasin.

Brassware

Clean with a damp cloth, water and soap, rinse clean and polish with a cloth.

Avoid using cleaners that contain abrasives, solvents, acid or ammonia.

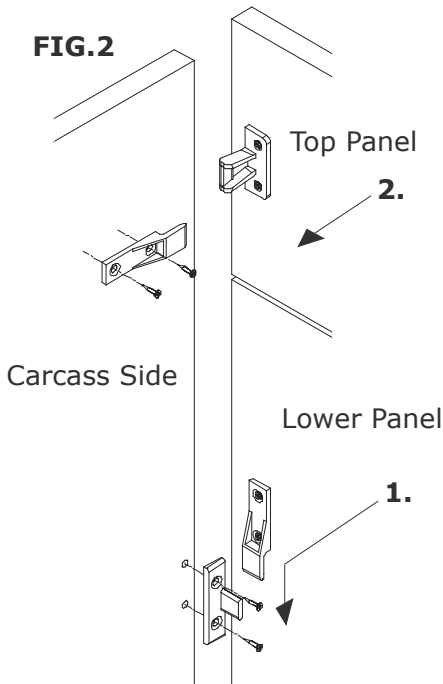
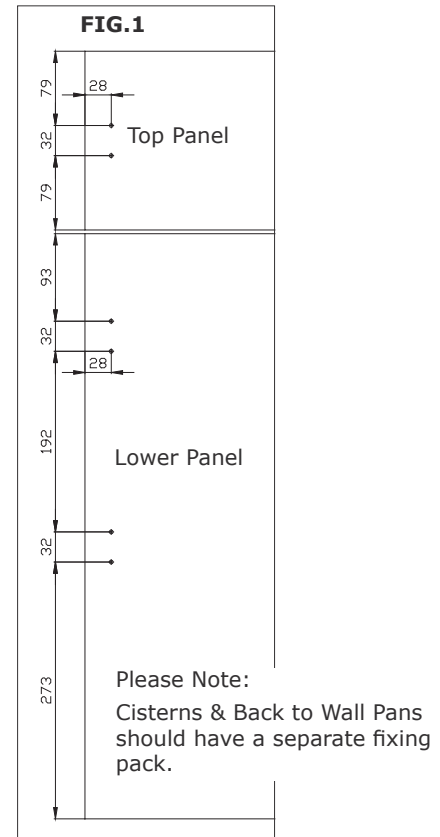
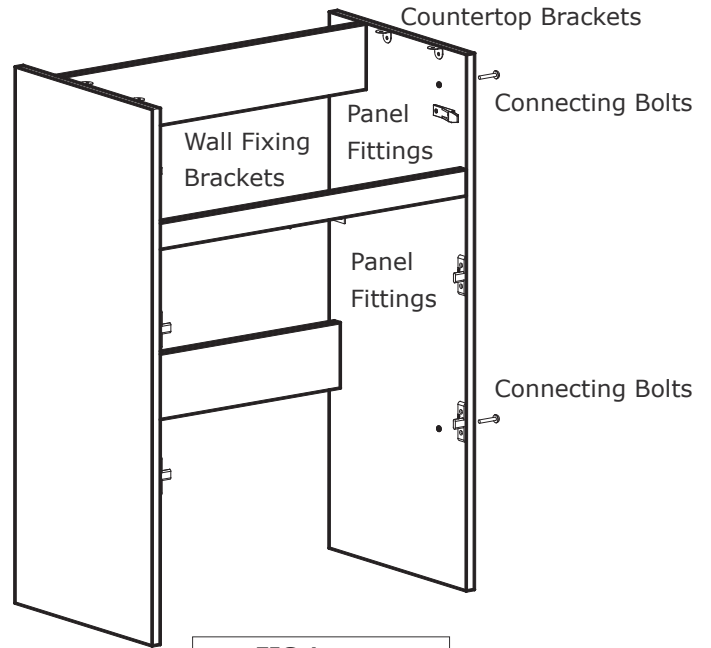
IMPORTANT NOTE: Wall fixings are not included, the installer must provide suitable wall fixings dependant on the type and condition of the wall. A secondary fix is also recommended when installing units.

W/C & Bidet Units consists of:
 1 Rigid W/C Bidet Unit
 1 Fixing Pack






INSTRUCTIONS

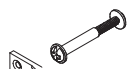
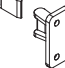
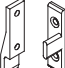
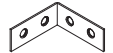
- Secure Wall fixing brackets to the unit side as shown with No.6x1/2" C/sink screws. The unit is secured to the wall through the Wall Fixing bracket using suitable fixings depending on wall type. **(These fittings are not supplied)**
- When joining adjacent units together you will need to drill holes for the carcass connecting bolts as shown.
- To apply panel fittings to front fascia panels, drill pilot holes using **Fig1.** as a guide and secure with No.6x5/8" C/sink screws.
- Secure the countertop with the No.7x3/4" C/sink screws through the countertop brackets.
- When fitting the front panels, slide the Lower Panel down first then push the Top Panel into place. **FIG.2**

Note: If installing wall hung W/C please use a specified fixing system. Ref:SFkW/C **DO NOT** fix W/C to cabinet panels.



HARDWARE

- | | | | |
|---|---|---|---|
|  | 4 No.6x1 3/4" Carcass screws Plinth Infill |  | 24 No.6x5/8" C/Sink screws Keku Fittings |
|  | 6 No.6x1" C/Sink screws Vanity Blocks |  | 8 No.5x1/2" C/Sink screws Metal Brackets |
|  | 4 No.7x3/4" C/Sink screws Worktop | | |

- | | |
|---|---|
|  | 2 Carcass Connecting Bolts |
|  | 2 Pair Keku Top Panel Fittings |
|  | 4 Pair Keku Lower Panel Fittings |
|  | 2 No.8 Wall Brackets |

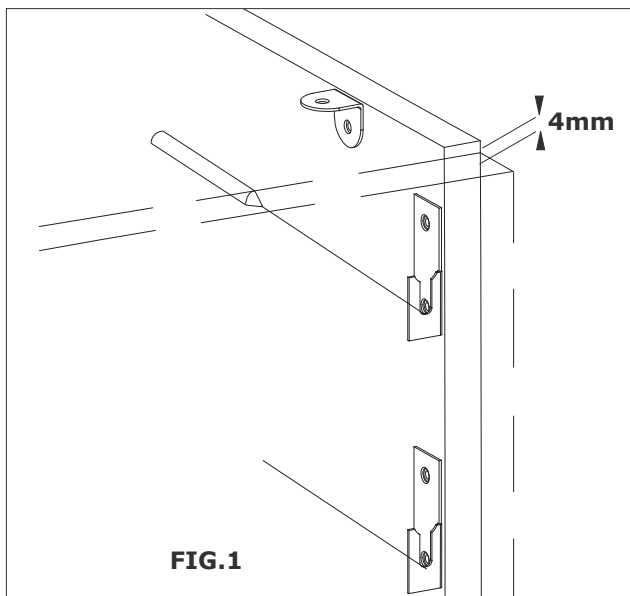
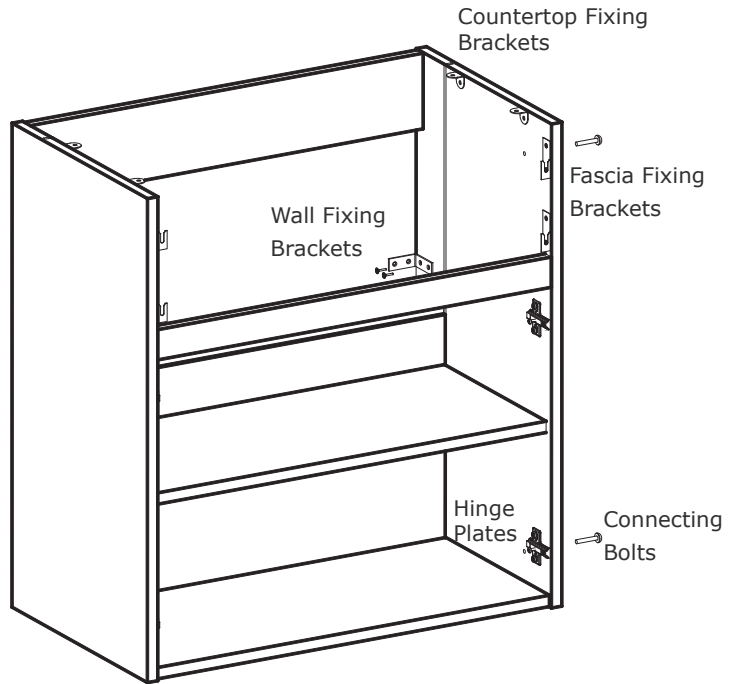
This unit consists of:

- 1 Rigid Counter Top Unit
- 1 Adjustable Shelf
- 1 Fixing Pack

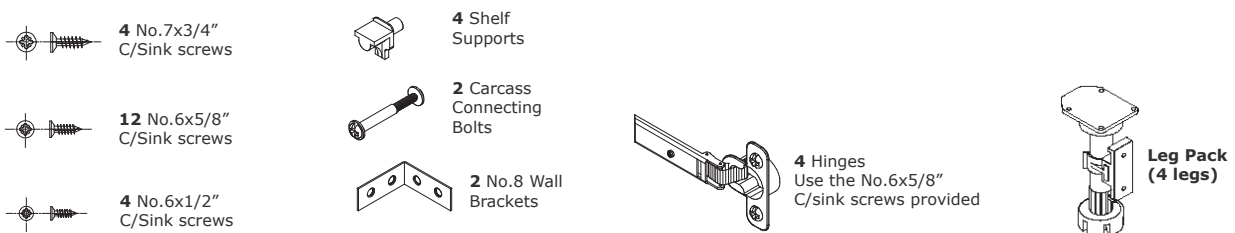
INSTRUCTIONS

1. The back panel can be removed to help installation and replaced at a later stage.
2. Secure wall fixing brackets to the unit side as shown with No.6x1/2" C/sink screws. The unit is secured to the wall through the Wall Fixing bracket using suitable fixings depending on wall type. **(These fittings are not supplied)**
3. For the top fascia panel, align 4mm down from top edge of the unit and mark positions for No.6x5/8" C/sink screws **(Fig.1)**. You will need to drill pilot holes for the screws.
4. When joining adjacent units you will need to drill holes for the carcass connecting bolts as shown.
5. To secure the countertop, use 4 No.7x3/4" C/ sink screws through the countertop brackets.

Please refer to page 9 for hinge fixing & adjustment.



HARDWARE

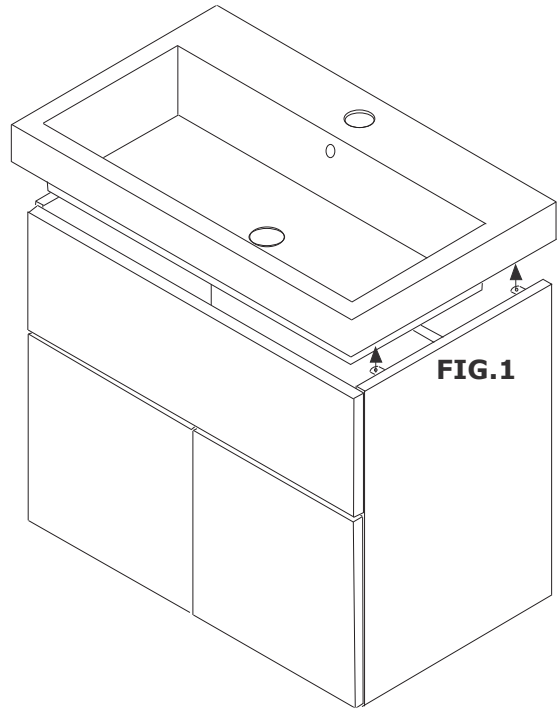


Breeze Basin

FIXING INSTRUCTIONS

To Install the Breeze basin onto a countertop unit simply place a bead of silicone around top edge of cabinets side and place basin onto bead of silicone to secure into place.

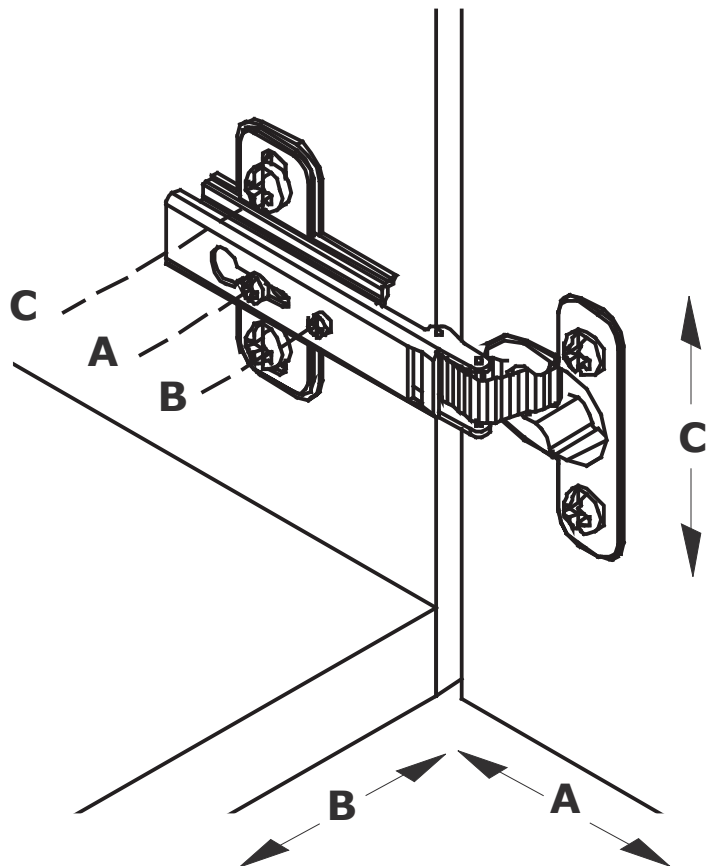
Alternative option is to use the worktop brackets supplied (FIG 1), screw through worktop brackets using x4 self tapping screws. It is advised to drill a pilot hole onto basin first.



Hinge fixing & Adjustment

HINGE FIXING & ADJUSTMENT

1. Secure hinge plates to the cabinet sides (where required) as illustrated.
2. Locate doors over hinge arms and push into predrilled positions on the rear of the doors and secure with 2 No.6x5/8" C/sink screws provided. Use a No 2 crosshead bit and do not over-tighten the screws. If using a power driver make sure the torque setting is low.
3. Fix the hinge arms to the plates by locating the two hooks onto the front of the hinge plates and clicking the rear connector into place.
4. Adjust alignment of door before finally tightening.
5. Clip on the cover cap.

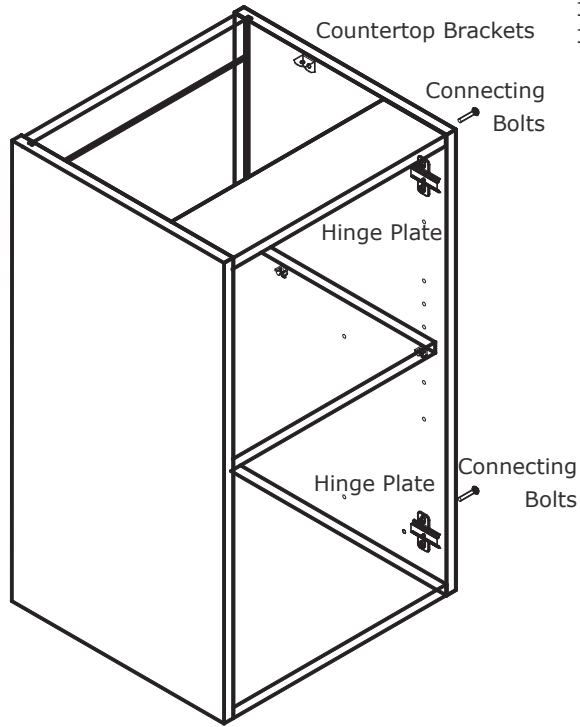


A = FRONTAL ADJUSTMENT
B = LATERAL ADJUSTMENT
C = VERTICAL ADJUSTMENT

INSTRUCTIONS

1. When joining adjacent units you will need to drill holes for the carcass connecting bolts as shown.
2. The unit can be secured to the wall by drilling through the back rail and inserting suitable fixings depending on wall type. **(These fixings are not supplied)**
3. The back panel can be installed at a later stage with the No.6x1/2" C/sink screws into the back rail. Please remember to install before securing the countertop.
4. To fix the countertop drill through the front rail and use the No.8x1"1/4 C/sink screws to secure. Use the No.7x3/4" C/sink screws through the countertop brackets at the rear.
5. Please refer to below for : **adjustable legs & Plinths** for leg pack assembly.

This unit consists of:
1 Rigid Base Unit
1 Adjustable Shelf
1 Fixing Pack



Please refer to hinge page for hinge fixing & adjustment.

HARDWARE

- 2 No.8x1"1/4 C/Sink screws
- 2 No.7x3/4" C/Sink screws
- 6 No.6x5/8" C/Sink screws
- 2 No.6x1/2" C/Sink screws



Adjustable Legs and Cabinet Plinths

ADJUSTABLE LEG ASSEMBLY

1. Turn the unit upside down. Place leg socket into place and screw to the bottom of the carcass. Insert legs into sockets making sure they are pushed all the way in. Wind the leg to approximately 180mm (Plinth height). Adjustment may be required to level off. **FIG.1**
2. Place plinth into position face down, draw a line and mark positions for plinth brackets. Once in place slide leg clip into brackets and push onto legs. **FIG.2**

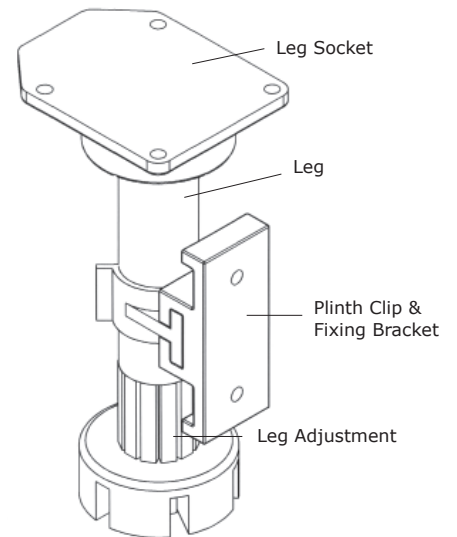


Fig.1

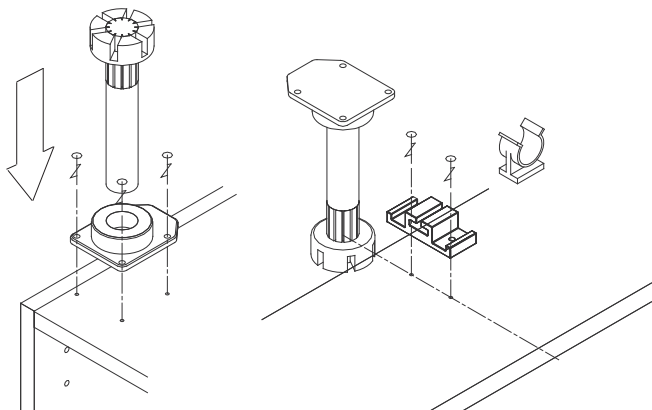
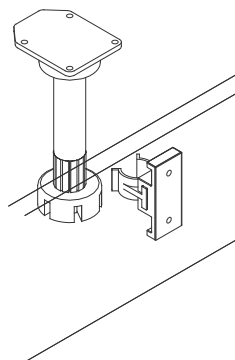


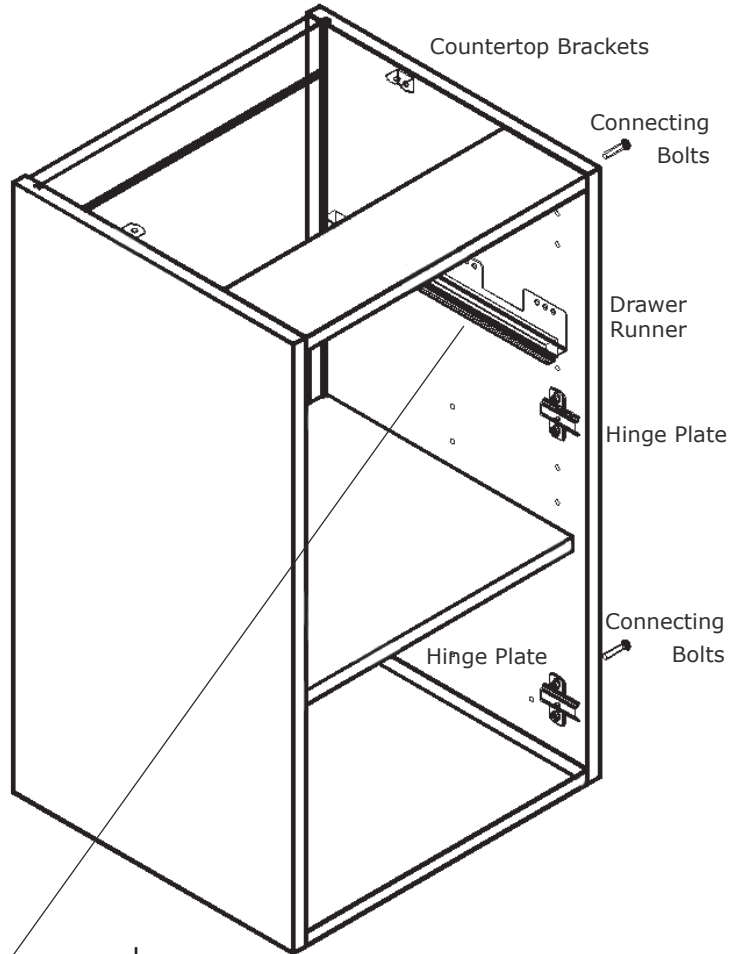
Fig.2



- This unit consists of:
- 1 Rigid Drawer Line Base Unit
 - 1 Adjustable Shelf
 - 1 Fixing Pack

INSTRUCTIONS

1. The unit can be secured to the wall by drilling through the back rail and inserting suitable fixings depending on wall type. **(These fittings are not supplied)**
2. The back panel can be installed at a later stage with the No.6x1/2" C/sink screws into the back rail. Please remember to install before securing the countertop.
3. When joining adjacent units you will need to drill holes for the carcass connecting bolts as shown.
4. To fix the countertop drill through the front rail and use the No.8x1 1/4" C/sink screws to secure. Use No.7x3/4" C/sink screws through the countertop brackets at the rear.
5. Please refer to **page 15: Adjustable legs & Plinths** for leg pack assembly.
6. Please refer to **page 9 for hinge fixing & adjustment.**



Drawerline Units

(D4 Drawer Pack Required)

DRAWER GUIDE ASSEMBLY

Locate drawer runners over the 5mm diameter holes and secure to the Cabinet side with 2 Varianta Flat/HD screws (FIG.1). These are supplied with the P13 Drawer Pack. (Use hole positions as illustrated)

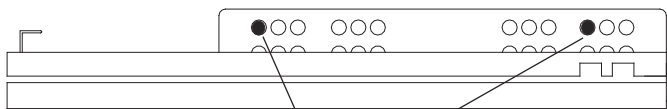
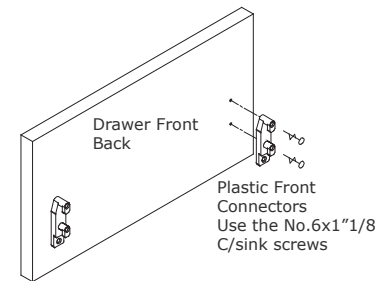


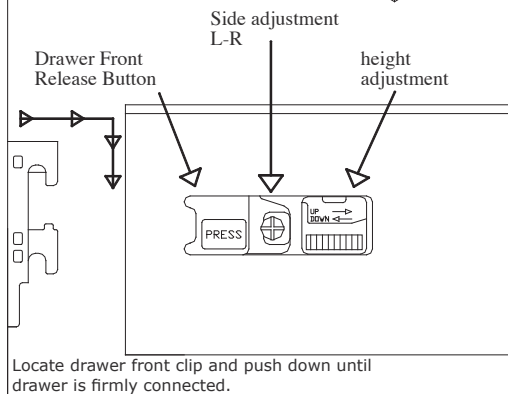
FIG.1

Fixing positions

Cabinet Leading Edge



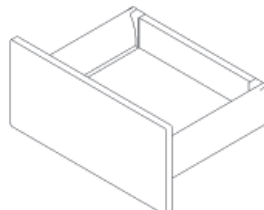
Drawer Box Adjustment



HARDWARE

- Leg Pack (4 legs)
- 4 Shelf Supports (8 For Skyline)
- 2 Carcass Connecting Bolts
- 2 No.8x1 1/4 C/Sink screws
- 2 No.7x3/4" C/Sink screws
- 4 No.6x1/2" C/Sink screws
- 2 Hinges per door Use the No.6x5/8" C/sink screws provided

Pre-Assembled Drawer Box



HARDWARE

- 4 No.6x1 1/8 C/Sink screws
- 4 Varianta Flat HD Screws 6.3x10.5
- 1 Pair Drawer Runners

Toilet Roll Base Unit Unit not to be used on the end of a run.

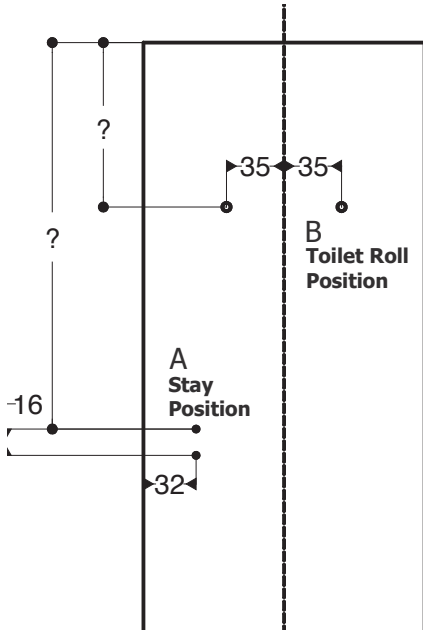


Fig.1 (Back of door)

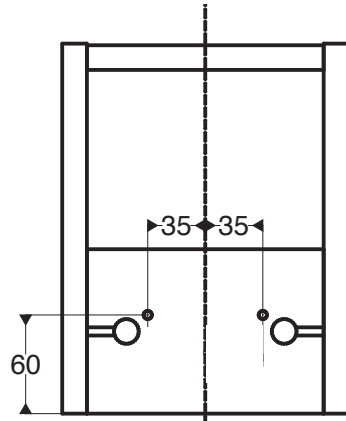
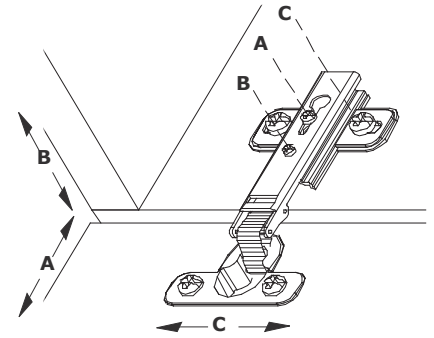


Fig.2

HINGE FIXING & ADJUSTMENT

1. Secure hinge plates to the cabinet base using pre-drilled holes.
2. Locate doors over hinge arms and push into pre-drilled positions on the rear of the doors and secure with 2 No.6x5/8" C/sink screws provided.
3. Fix hinge arms to plates by locating the key hole slot over the plate fixing screw and lightly tighten.
4. Adjust alignment of door before finally tightening. (A,B,C)



A = FRONTAL ADJUSTMENT
B = LATERAL ADJUSTMENT
C = VERTICAL ADJUSTMENT

Stay Fitting instruction

The Toilet Roll Base Unit comes with the stay already attached to the cabinet side but will need to be secured to the door on installation.

1. Once door is attached to cabinet, mark stay position on back of door as shown in **Fig.1**. The height position vary depending upon customers preference on door opening position.
2. Pilot hole pre-marked position then secure stay in position with screws provided.
3. The tension on the stay can be adjusted using the screw on side of stay.

Toilet Roll Holder Fitting Options

The toilet roll holder can either be sighted on the back of the door or in the top open aperture of the unit as shown.

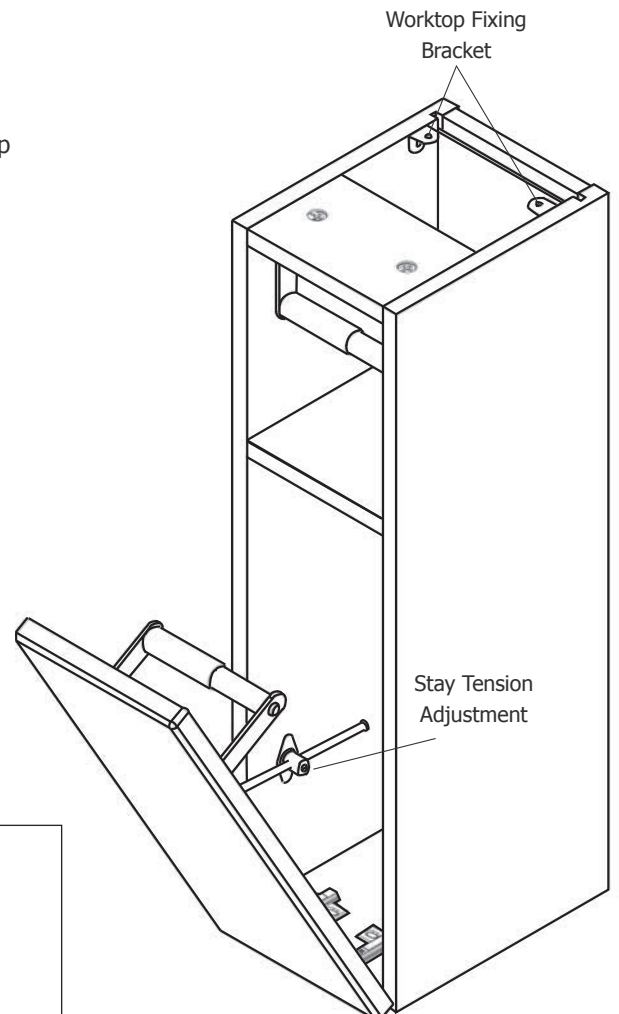
Please chose your preferred position then follow required fixing instructions.





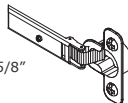


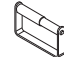
A Open Aperture

To fit the toilet roll holder to the open appiture mark the underside of the top rail as shown in **Fig 2 A**. Pilot hole marked positions before securing the toilet roll holder to cabinet rail with screws supplied.

B Back Of Cabinet Door

1. Mark out the centre point on the back of the door (Shown in **Fig.1 B**).
2. You can position your toilet roll holder at any point on the door as long as the centre of the toilet roll holder is on the centre line.
3. Once you have selected a point on the door that suits drill a small shallow pilot hole 35mm either side of the centre line (**Fig.1 B**).
4. Once you have drilled the pilot holes line up the toilet roll holder and screw tightly into place with screws supplied.



HARDWARE			
			
2 Hinge Plates	2 Door Buffers	2 Carcase Connecting Bolts	2 No.7x3/4" C/Sink screws
			
2 Hinges Use the No.6x5/8" C/sink screws provided	1 Leg Pack (4 legs)	24 No.6x5/8" C/Sink screws	1 Toilet Roll Holder

Tall Units

Drawerline Units

(Please refer to drawerline instructions on previous page)

DRAWER GUIDE ASSEMBLY

Locate drawer runners over the 5mm diameter holes and secure to the Carcass side with 2 Varianta Flat/HD screws. These are supplied with the P13 Drawer Packs.

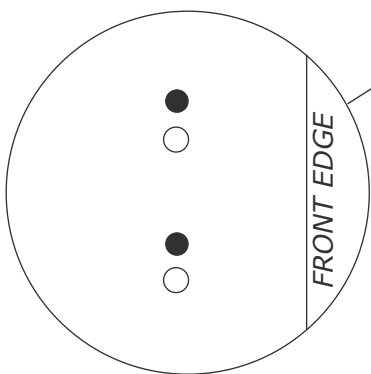
This unit consists of:

- 1 Pair of sides
- 1 Top shelf (Grooved)
- 1 Bottom shelf (Grooved)
- 2 Middle Fixed shelves
- 3 Adjustable shelves
- 1 Back panel
- 1 Fixing Pack

UNIT ASSEMBLY INSTRUCTIONS

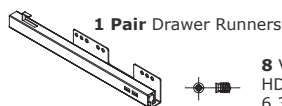
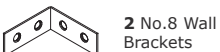
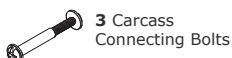
1. Lay unit sides on a clean flat surface that will not damage or scratch the sides.
2. Screw in the cam & pins and insert the wooden dowels as illustrated by **A** into the cabinet sides.
Repeat for opposite side.
3. Locate fixed shelves over campins and dowels and secure with the cams by rotating them to tighten. Slide in the back panel and add the opposite side.
4. Use the panel pins to secure the back panel to the middle fixed shelves.
5. Please refer to **page 15: Adjustable legs & Plinths** for leg pack assembly.

IMPORTANT NOTE

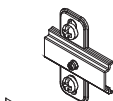


● Use these holes for the Tall Unit Top door (P12).

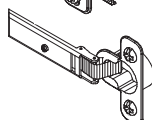
HARDWARE



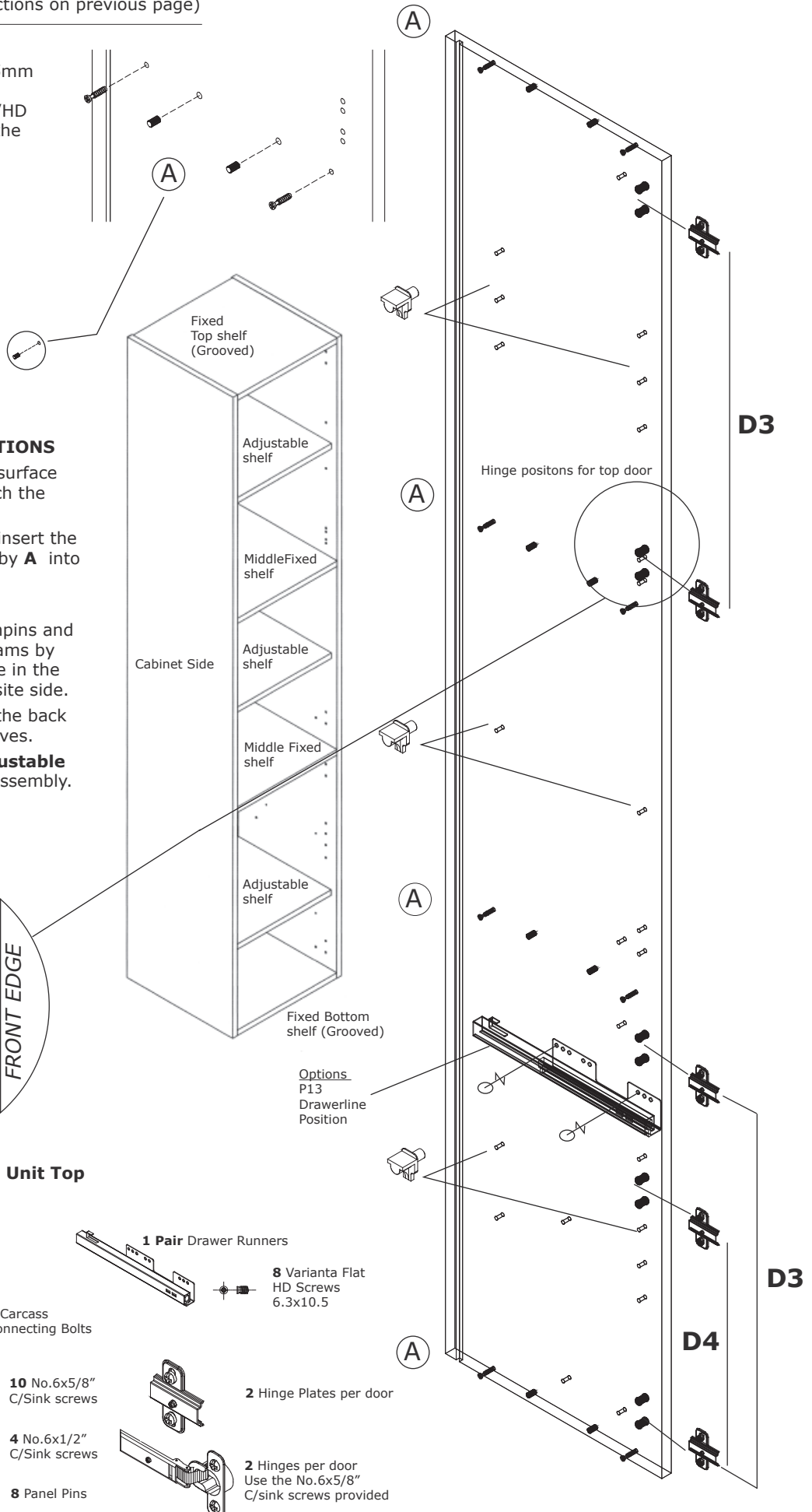
8 Varianta Flat HD Screws 6.3x10.5



2 Hinge Plates per door



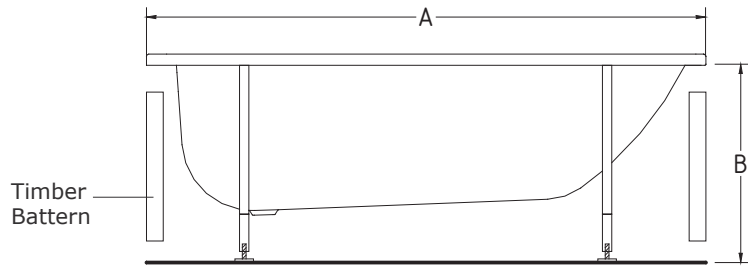
2 Hinges per door Use the No.6x5/8" C/sink screws provided



Note: Baths will have their own installation instructions supplied by the manufacturer. Before attempting to fit your panels, please read these installation instructions in full and ensure that you fully understand them.

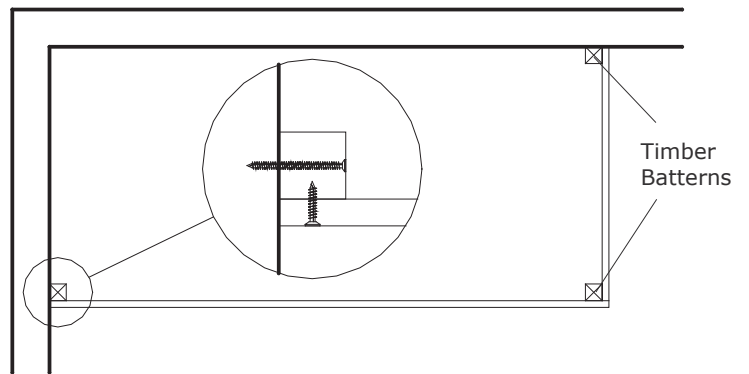
ALL PANELS ARE SUPPLIED 450mm IN HEIGHT.

FIG.1



1. To install the bath panels, measure the length and height of the bath to determine the size for the bath panels. **FIG.1**. Secure a square timber battern to the walls at both ends underneath the rim of the bath. **FIG.2**
2. The bath panel is then fixed to the square timber battern. This can be achieved in many ways, i.e. strong adhesives, silicone, liquid nails, panel pins, screws and screw cups or mirror screws, depending on the installers preference.
3. Whichever method of fixing is used, please note it may be necessary at a later date or due to unforeseen circumstances that you may need to remove the panels.
4. If a return panel is required you will need to assemble panels into an (L) Shape, use a square timber battern to join panels in the corner. **FIG.2**

FIG.2



Note: Some designs are supplied at **700 & 750**, however some are supplied at **750** only and will require reducing in length.
It is important that all edges, gaps and joints must be sealed with a waterproof agent.

Variable Corner Post

CP

Corner Situations

The corner post is used for creating a corner installation. The minimum size is 55mm x 55mm (**FIG.1**) with a variable distance in one direction to a maximum size of 140mm (**FIG.2**)

HARDWARE

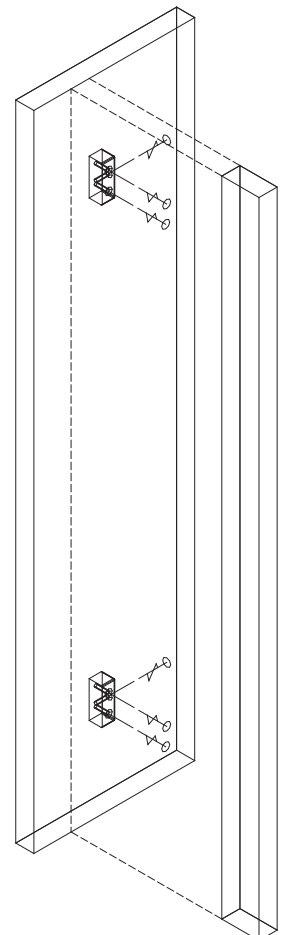
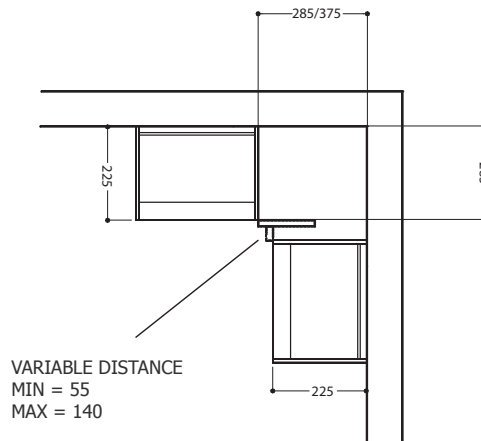
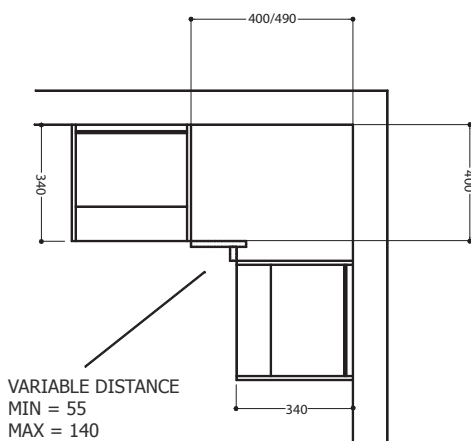


2 Blocks



6 No.6x1" C/Sink screws vanity Blocks

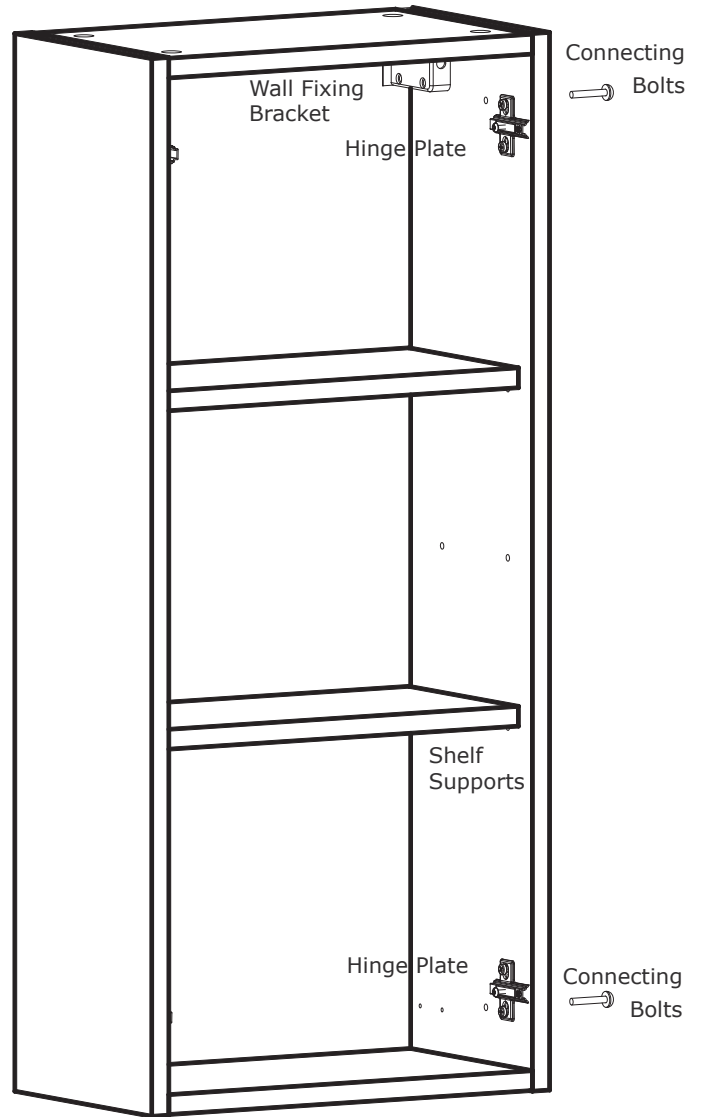
CORNER POST GUIDE



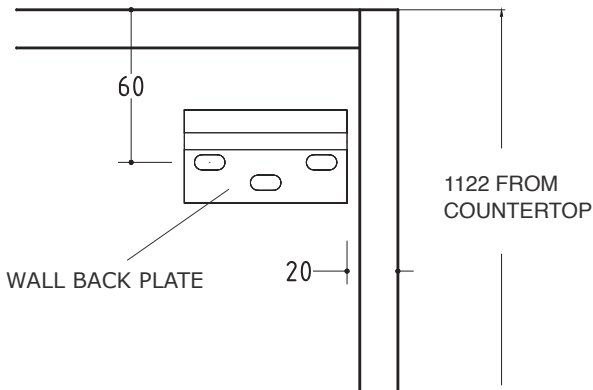
This unit consists of:
 1 Rigid Wall Unit
 2 Adjustable Shelves
 1 Fixing Pack

INSTRUCTIONS

1. 175mm & 350mm units will require the fitting of hinge plates before installation due to the limited internal width.
2. Lay unit on a clean flat surface that will not damage or scratch the unit.
3. Secure hinge plates using the pre-inserted screws provided.
4. When joining adjacent units you will need to drill holes for the carcass connecting bolts as shown.





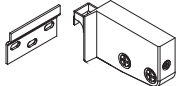


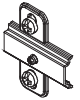
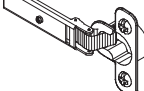
USE DIMENSIONS ONLY AS A GUIDE FOR POSITIONING WALL FIXING BRACKETS FOR WALL UNITS

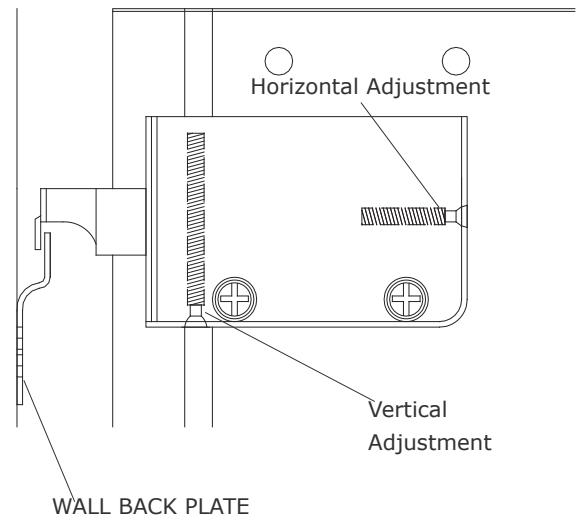


DIMENSIONS FROM OUTER EDGE OF CABINET

WALL FIXING BRACKET

HARDWARE

-  4 Shelf Supports
-  2 Carcass Connecting Bolts
-  1 Pair Wall Back Plate & Fixing Brackets (Wall units only)
-  4 No.8x1 1/8" C/Sink screws
-  4 No.6x5/8" C/Sink screws
-  2 Hinge Plates per door
-  2 Hinges per door
- Use the No.6x5/8" C/sink screws provided



This unit consists of:
 1 Rigid Wall Unit
 2 Adjustable Shelves
 1 Fixing Pack

INSTRUCTIONS

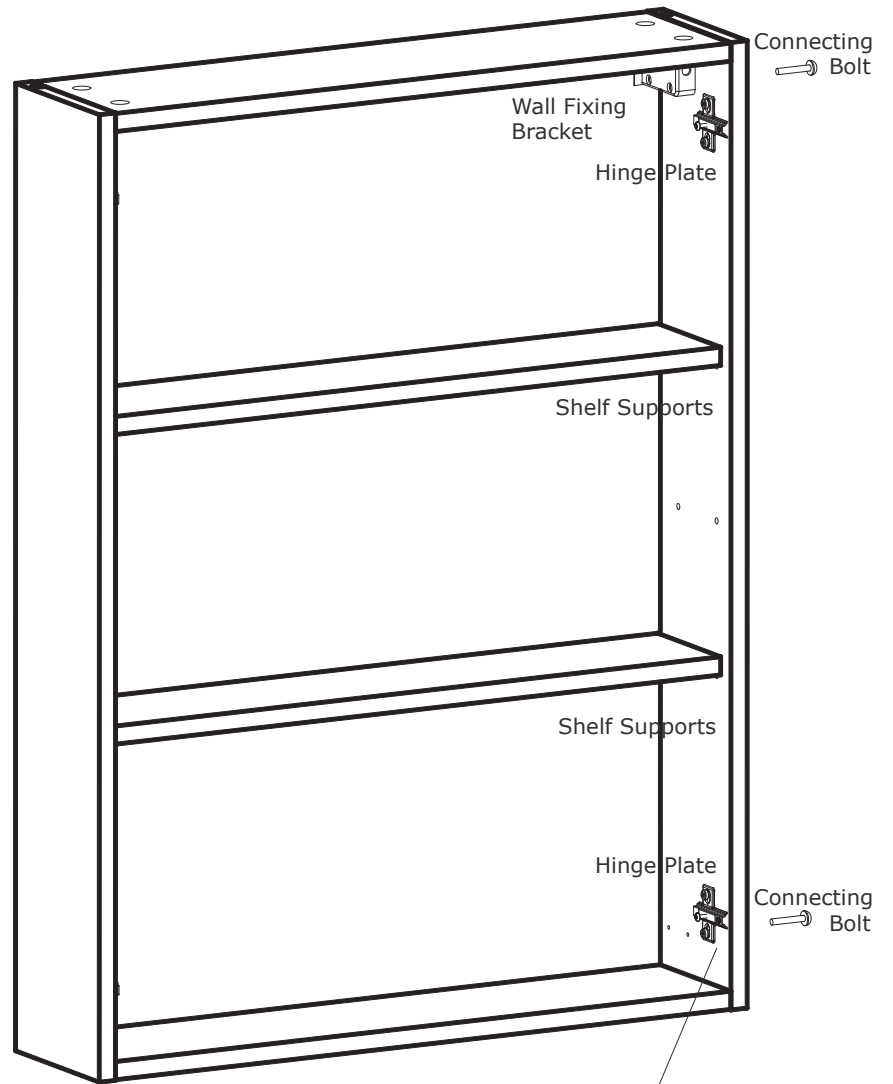
Please refer to **Wall Units** section
 For installation and positioning.

Fixing Mirrored Doors To Wall Units

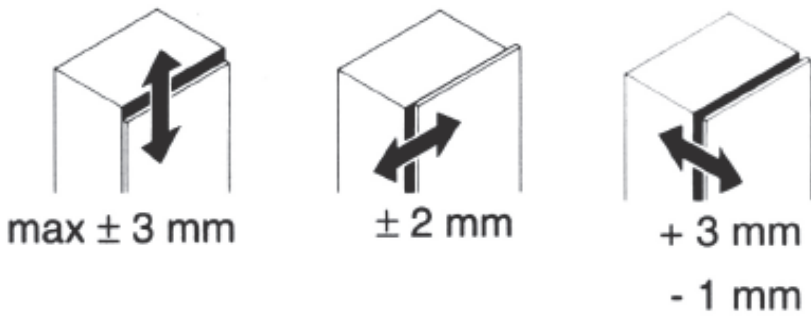
Please note that hinge plates A are supplied with the relevant mirror door packs.

When fixing hinge plates to cabinet do not fully tighten at this stage of installation.

1. Make sure the mirror is placed on a clean, dust-free area to avoid any surface abrasion or marking. Clip the hinge **B** over mirror plate **C** into position.
2. Open up the hinge mechanism by moving the hinge arm at both top and bottom of the door. (See **Fig.1**)
3. Locate mirrored door to the hinge plates and click into place **D**.
4. Align mirror ensuring that no tension is applied to the hinge. Now fully tighten hinge plates **A** to complete installation.
5. Any further adjustment can now be done if required.

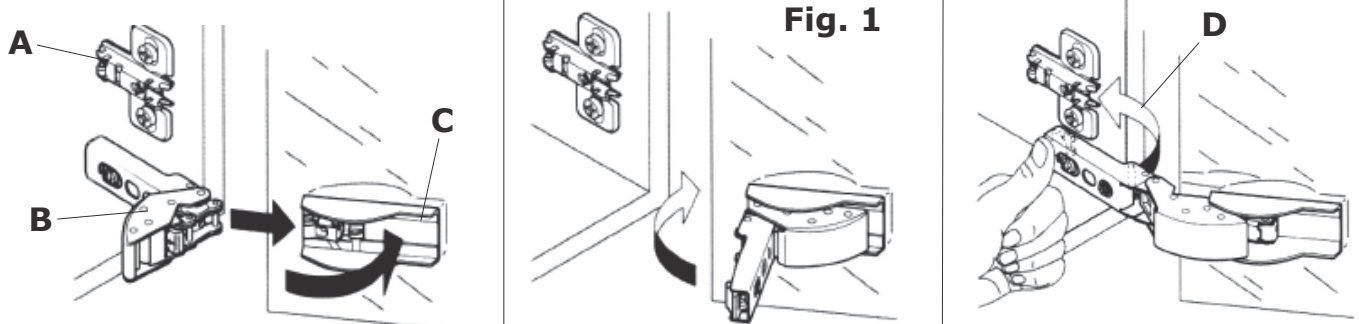


Adjustments



Remove plate and replace it with the plate supplied in the Mirror door pack.

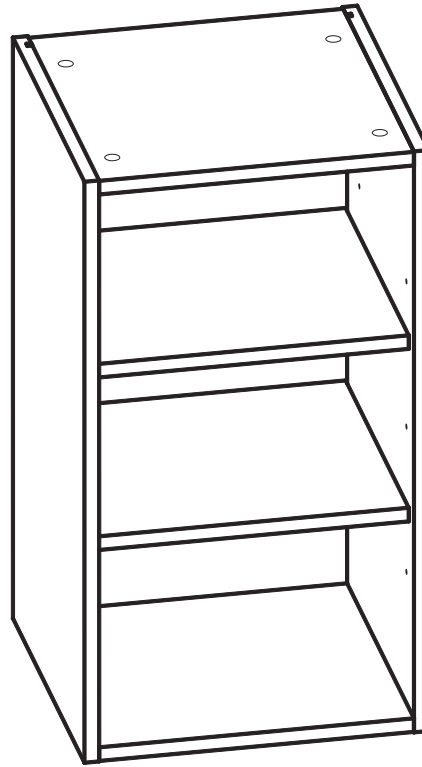
ASSEMBLY







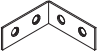
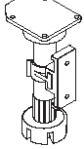
UNIT INSTRUCTIONS

This unit can be reduced in width & depth. The unit is dry fixed and can be easily disassembled. Please take care with fittings if undertaking this procedure.

DO NOT USE AT THE END OF A RUN IF THE CABINET SIDE IS VISABLE



HARDWARE

-  **8 Dowels**
 -  **8 Shelf Supports**
 -  **14 Carcasses screws**
 -  **4 No.6x1/2" C/Sink screws Metal Brackets**
 -  **2 No.8 Wall Brackets**
-  **Leg Pack (2 legs)**

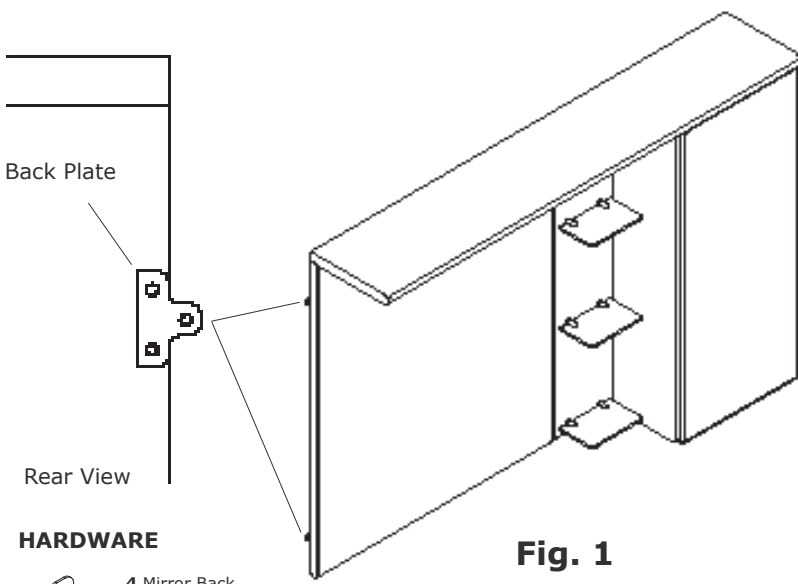
Mirror Installations

175MS, 60M, 70M, 60FM, 70FM

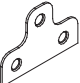

All mirrors are supplied with Brass Mirror Back Plates (**Fig.1**). Key hole fittings are also supplied with Framed mirrors (**Fig.2**). When installing either Mirror backboards or Framed Mirrors, position plates to suit the application. Plates can be sited at the top and bottom or at the sides. If installation is permanent chase walls or scribe units to hide plates and cover with appropriate material.

Keyhole fittings are only supplied with framed mirrors. These fittings are best suited when mirror is fixed on its own. Use No.8 c/sink screws into wall.

Note: Wall fixings are not supplied.



HARDWARE

-  **4 Mirror Back Plates**
-  **8 No.6x1/2" C/Sink screws**

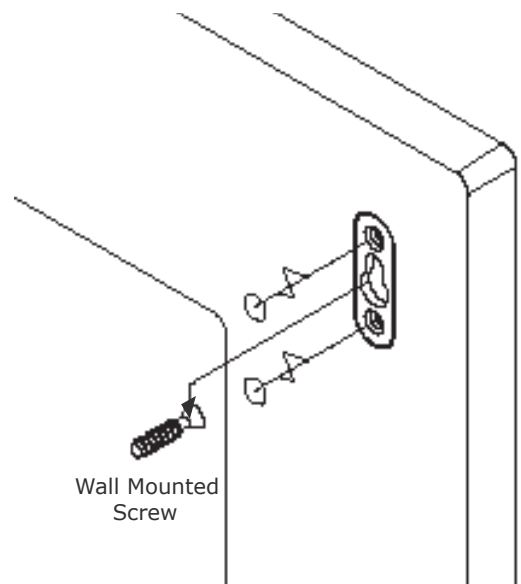


Fig. 2



— est. 1964 —

Atlanta Bathrooms – Packaging Recycling Information

Atlanta Bathrooms is a brand Be Modern Ltd, a British manufacturer of bathroom furniture, fires and for surrounds. Be Modern go to great lengths reduce, re-use and recycle all waste produced during the manufacturing process and daily operations of the business.

We also ensure our packaging is recyclable wherever possible and that any non-recyclable plastics used only when it is completely necessary. All our products are packed using 100% fully recyclable cardboard packaging, which is made in our factory, from sustainable raw material, specifically for each product to ensure wastage is kept to a minimum.





	<p>Cardboard Packaging</p>	<p>Cardboard packaging used in our packaging is paperboard from sources holding the Forest Stewardship Council® chain of custody certification.</p> <p>This cardboard can be recycled curb side in your domestic recycling bin or at your local recycling centre.</p>
	<p>Plastic Strapping</p>	<p>Plastic strapping used to package our products is kept to a minimum, but it is occasionally required for us to deliver your products safely and without damage.</p> <p>The plastic strapping used is made from Polypropylene (PP), which can be recyclable through some curb side programs and recycle centres, please check before disposing.</p>
	<p>Polystyrene Protector</p>	<p>Polystyrene proctors are infrequently used in our packaging and only used to ensure our most breakable products, such as mirrors, arrive safely and undamaged.</p> <p>Polystyrene is not widely accepted by curb side programs or recycling centres, please check with your local authority. In most cases this should be disposed of in your general waste.</p>
	<p>Polyethylene Hardware Bags</p>	<p>Low density polyethylene (LDPE) bags are used to package our hardware and instruction manuals.</p> <p>Acceptance of LDPE by curb side programs and local recycling centres varies, so please check with your local authority.</p>

Fig. 1

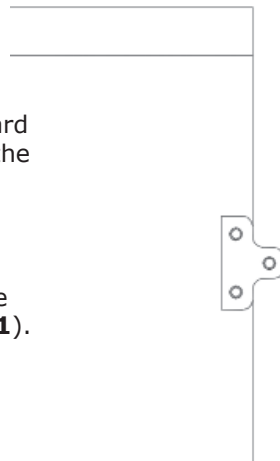
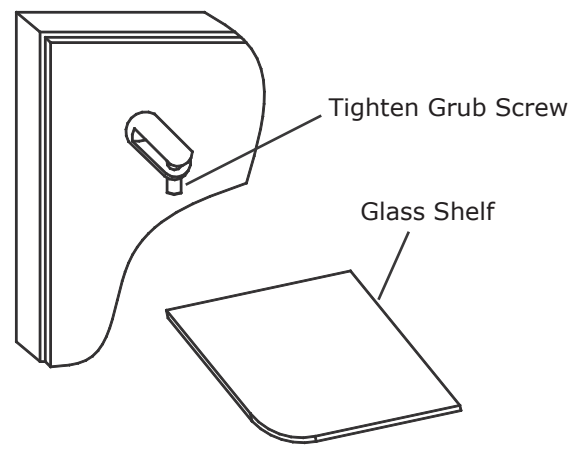


Fig. 2



Fitting Instructions

Important - Fix the mirror/backboard to the wall before attempting to fix the shelves.

Fit the mirror back plates to the backboard and fix to the wall using appropriate fixings dependant on the type and condition of the wall (**Fig. 1**).

Fit the shelves to the brackets using the supplied plastic grommets and secure with grub screws (**Fig. 2**).

Do not over tighten and the use of power tools is NOT recommended.

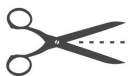
ADDITIONAL HARDWARE



4 Mirror Back Plates



8 No.6x1/2" C/Sink screws



Lifetime Guarantee Registration



Atlanta proudly offer a lifetime guarantee against all bathroom furniture manufacturing and material defects.

To register your guarantee please complete the form below and return it to the address on the reverse of this card, or visit www.atlantabathrooms.com/lifetime-guarantee and submit the online form.

Name:

House No. / Name & Street:

Postcode:

Telephone Number:

Email Address:

Furniture Colour / Finish:

Retailer / Installation Company:

Date of Installation:

For full terms & conditons visit www.atlantabathrooms.com/lifetime-guarantee

Customer Services

Tel: 0191 428 0444

Fax: 0191 489 0620

atlanta
BATHROOMS

Atlanta Bathrooms
19 Bedesway
Bede Industrial Estate
Jarrow
Tyne & Wear
NE32 3HQ